

Catville™ TOWER

Model: # 7240 (Gray)

Instructions online at www.prevuepet.com

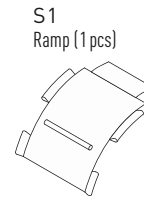
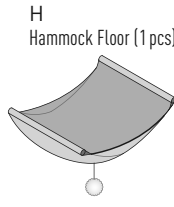
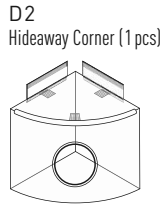
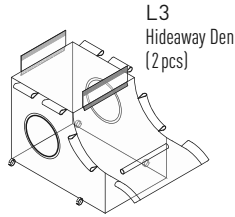
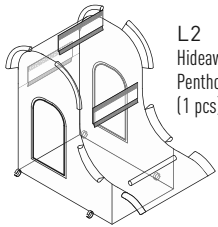
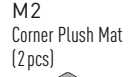
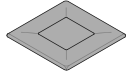
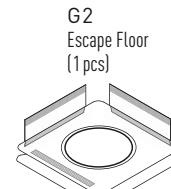
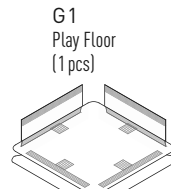
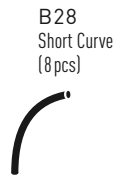
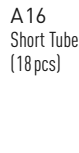
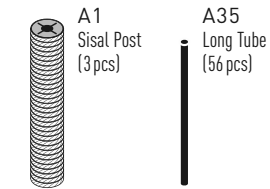
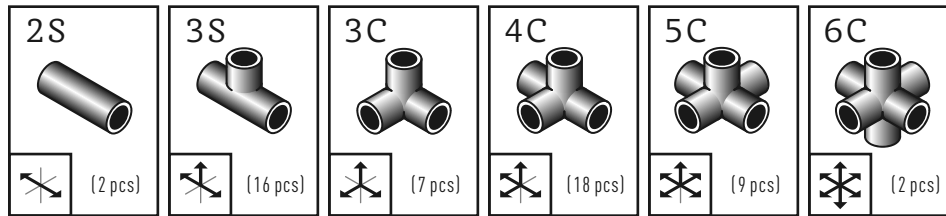
very helpful tips

- Loosely lay out all parts for each step.
- Slide tubes into fabric sleeves first—then add connectors.
- Use appropriate force when assembling connectors and tubes to avoid unnecessary damage.

read first REVIEW BEFORE ASSEMBLY

- Designed for hand assembly. No tools required.
 - Check regularly to ensure all components are connected.
 - Place finished unit in an area with room for cats to play and interact with all features.
- For assistance or replacement parts, please contact Prevue Pet Products:
- PHONE** 312.243.3624
ONLINE www.prevuepet.com
EMAIL customerservice@prevuepet.com

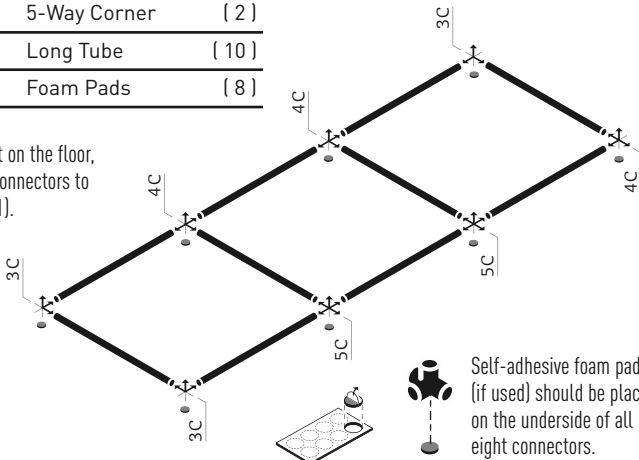
connectors & parts



1a To form the **BASE** (pt.1), you will need these pieces:

PARTS	NAME	QTY
3C	3-Way Corner	(3)
4C	4-Way Corner	(3)
5C	5-Way Corner	(2)
A35	Long Tube	(10)
	Foam Pads	(8)

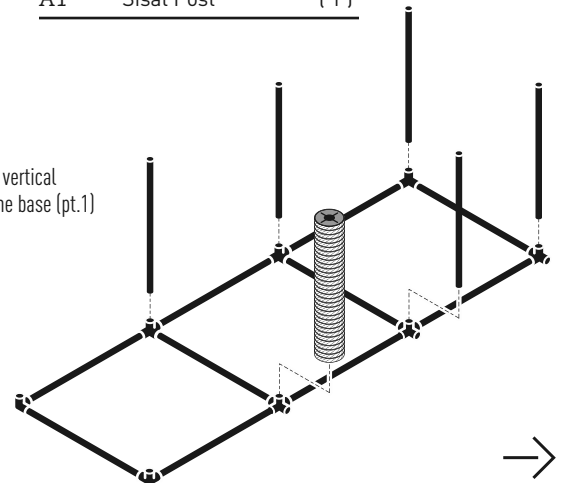
Lay the components out on the floor, then insert tubes into connectors to assemble the base (pt.1).



1b To begin the 1st floor, you will need these pieces:

PARTS	NAME	QTY
A35	Long Tube	(5)
A1	Sisal Post	(1)

Add these vertical posts to the base (pt.1) as shown.

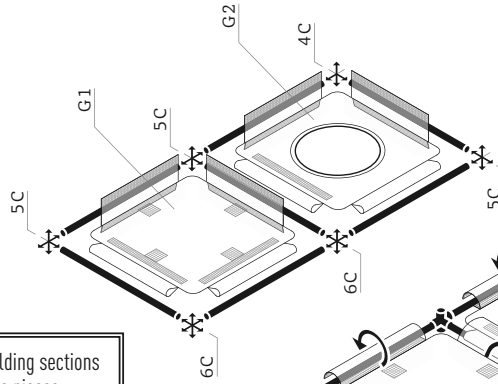


1c

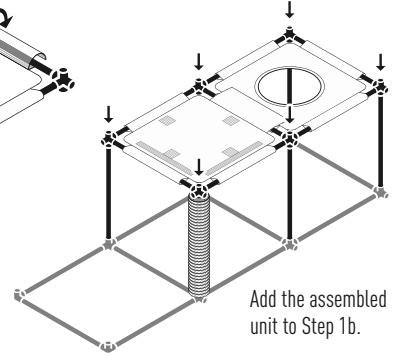
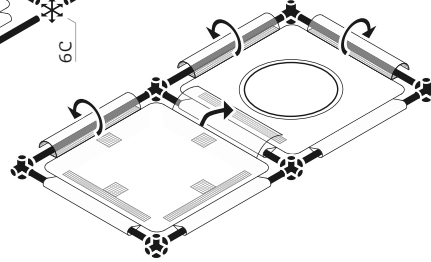
Then you will need these pieces:

PARTS	NAME	QTY
4C	4-Way Corner	(1)
5C	5-Way Corner	(3)
6C	6-Way Corner	(2)
A35	Long Tube	(7)
G1	Play Floor	(1)
G2	Escape Floor	(1)

***** When building sections with fabric pieces, insert tubes into the sleeves of the fabric first, then add the connectors.



Secure the velcro sleeves around the horizontal tubes. Across the center (from G1 to G2), wrap the velcro flap across the tube and secure it to the matching velcro strip.



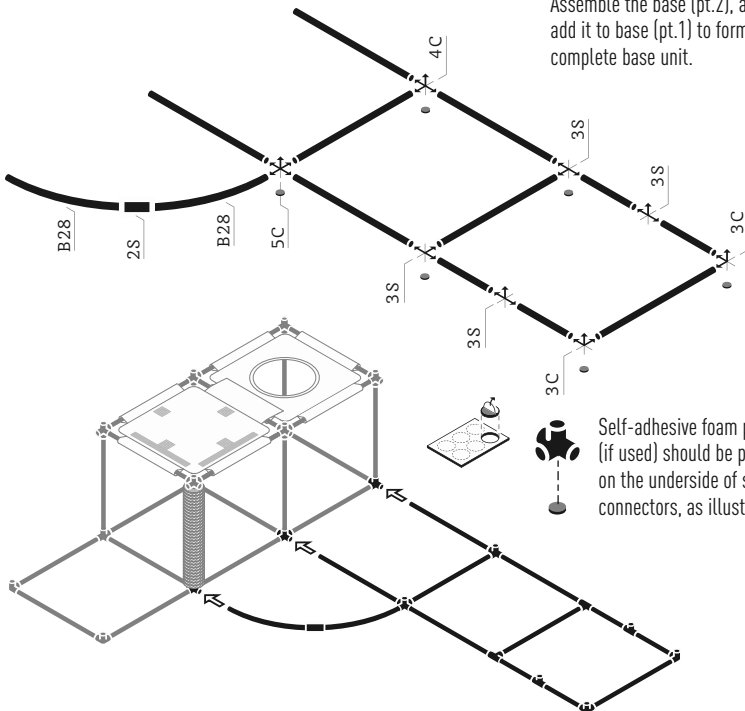
Add the assembled unit to Step 1b.

2a

To form the BASE (pt.2), you will need these pieces:

PARTS	NAME	QTY
2S	2-Way Straight	(1)
3S	3-Way Straight	(4)
3C	3-Way Corner	(2)
4C	4-Way Corner	(1)
5C	5-Way Corner	(1)
A35	Long Tube	(7)
A16	Short Tube	(4)
B28	Short Curve	(2)
	Foam Pads	(6)

Assemble the base (pt.2), and add it to base (pt.1) to form the complete base unit.



Self-adhesive foam pads (if used) should be placed on the underside of six connectors, as illustrated.

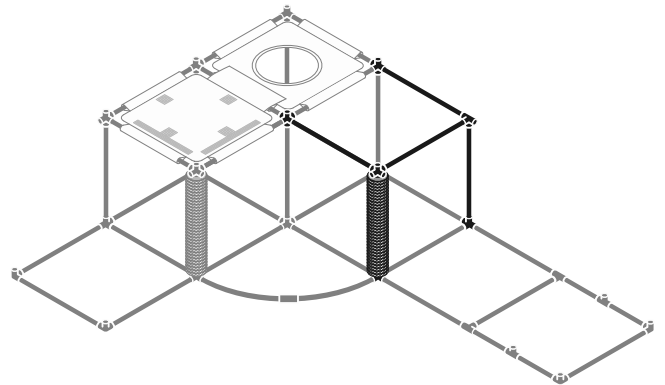
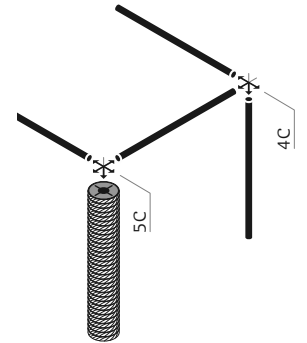


2b

To continue the 1st floor, you will need these pieces:

PARTS	NAME	QTY
4C	4-Way Corner	(1)
5C	5-Way Corner	(1)
A35	Long Tube	(4)
A1	Sisal Post	(1)

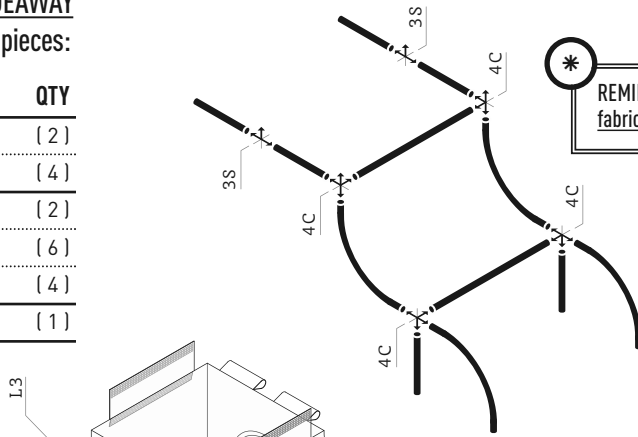
Assemble the unit, then add it to the base.



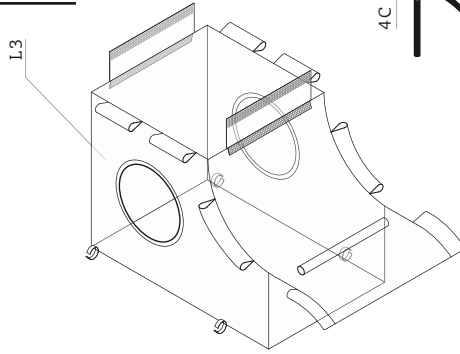
2^c

To form the 1st floor **HIDEAWAY DEN**, you will need these pieces:

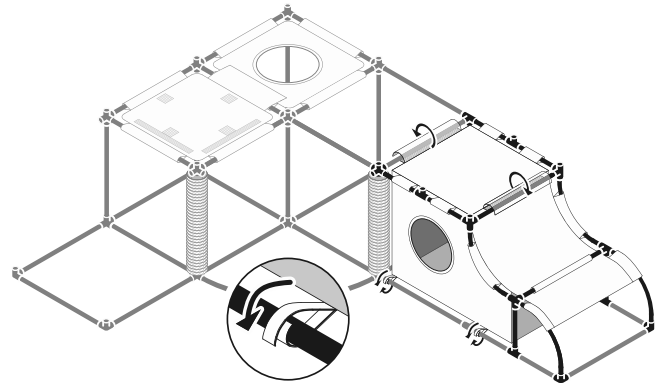
PARTS	NAME	QTY
3S	3-Way Straight	(2)
4C	4-Way Corner	(4)
A35	Long Tube	(2)
A16	Short Tube	(6)
B31	Long Curve	(4)
L3	Hideaway Den	(1)



*** REMINDER:** Insert tubes into the fabric first, then add connectors.



After the hideaway den is assembled, add it to the base, and secure the velcro sleeves around the horizontal tubes at top and bottom as shown.

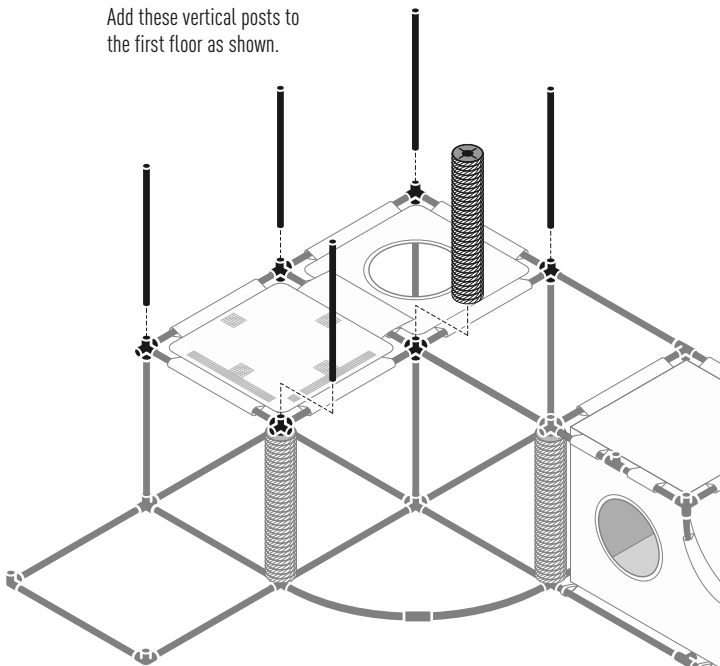


3^a

To begin the 2nd floor, you will need these pieces:

PARTS	NAME	QTY
A35	Long Tube	(5)
A1	Sisal Post	(1)

Add these vertical posts to the first floor as shown.

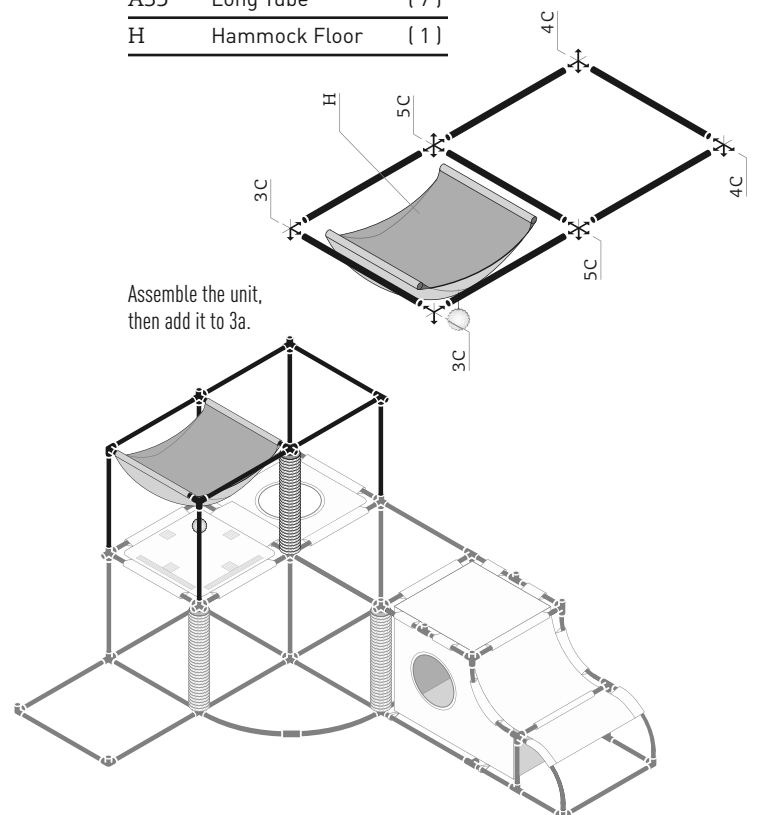


3^b

Then you will need these pieces:

PARTS	NAME	QTY
3C	3-Way Corner	(2)
4C	4-Way Corner	(2)
5C	5-Way Corner	(2)
A35	Long Tube	(7)
H	Hammock Floor	(1)

Assemble the unit, then add it to 3a.

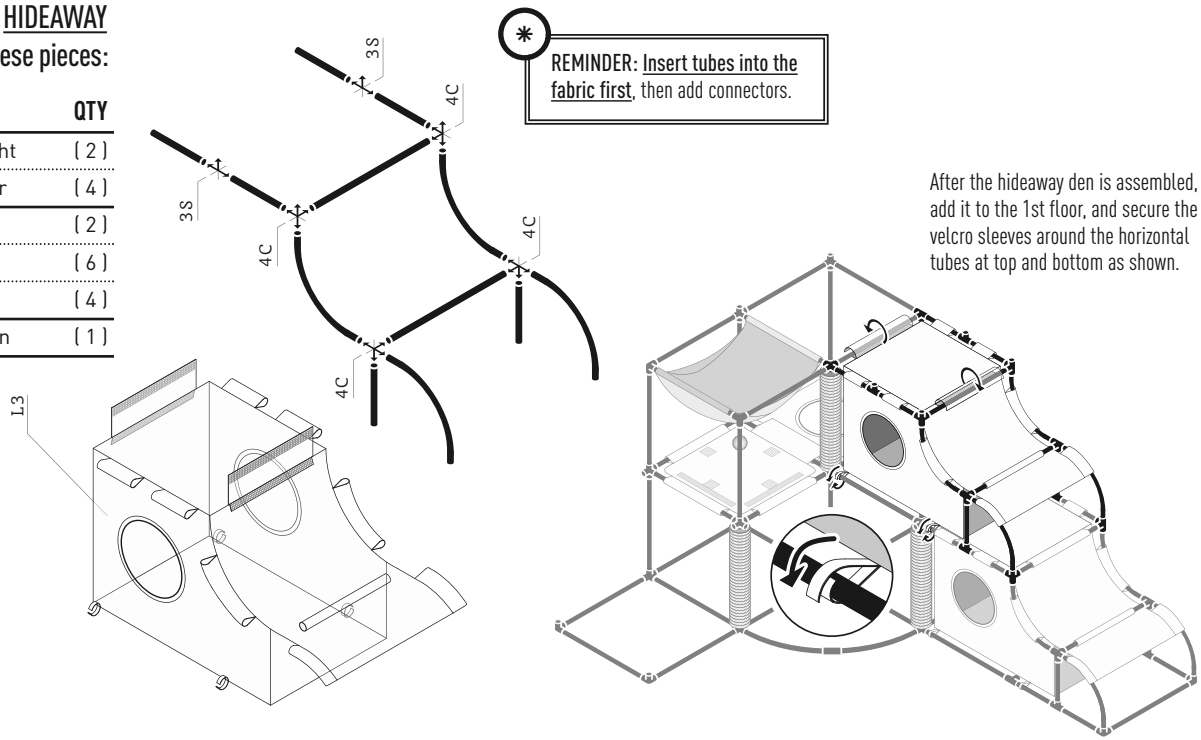


3^c

To form the 2nd floor **HIDEAWAY DEN**, you will need these pieces:

PARTS	NAME	QTY
3S	3-Way Straight	(2)
4C	4-Way Corner	(4)
A35	Long Tube	(2)
A16	Short Tube	(6)
B31	Long Curve	(4)
L3	Hideaway Den	(1)

***** REMINDER: Insert tubes into the fabric first, then add connectors.

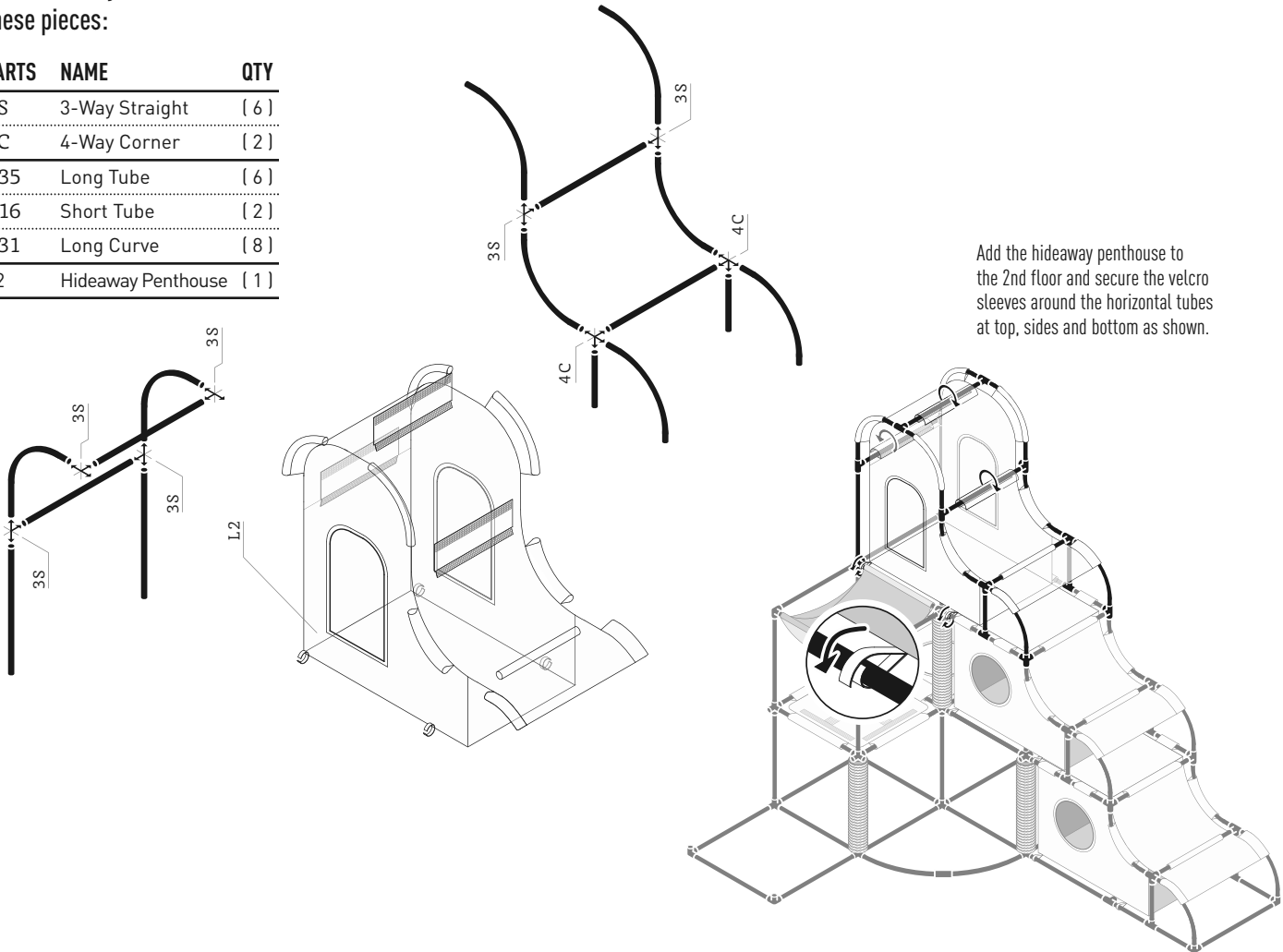


After the hideaway den is assembled, add it to the 1st floor, and secure the velcro sleeves around the horizontal tubes at top and bottom as shown.

4

To form the **HIDEAWAY PENTHOUSE**, you will need these pieces:

PARTS	NAME	QTY
3S	3-Way Straight	(6)
4C	4-Way Corner	(2)
A35	Long Tube	(6)
A16	Short Tube	(2)
B31	Long Curve	(8)
L2	Hideaway Penthouse	(1)

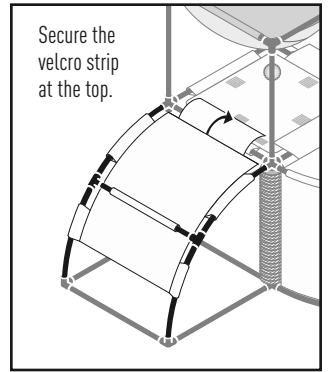
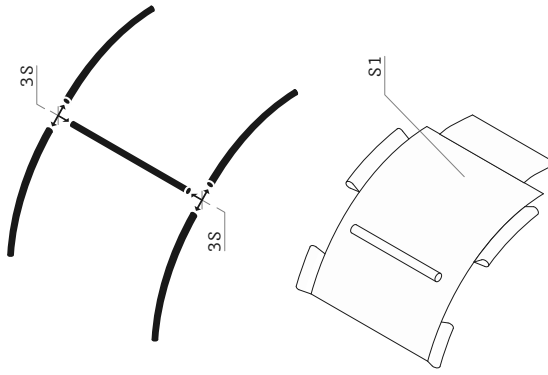


Add the hideaway penthouse to the 2nd floor and secure the velcro sleeves around the horizontal tubes at top, sides and bottom as shown.

5

To form the **RAMP**, you will need:

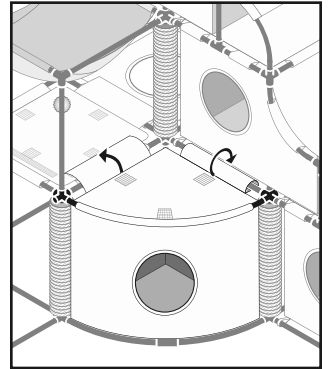
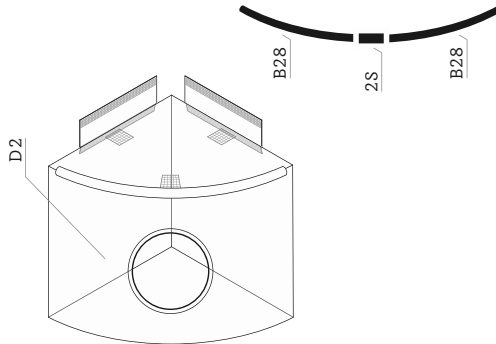
PARTS	NAME	QTY
3S	3-Way Straight	(2)
A35	Long Tube	(1)
B28	Short Curve	(4)
S1	Ramp	(1)



Secure the velcro strip at the top.

To form the **HIDEAWAY CORNER**, you will need:

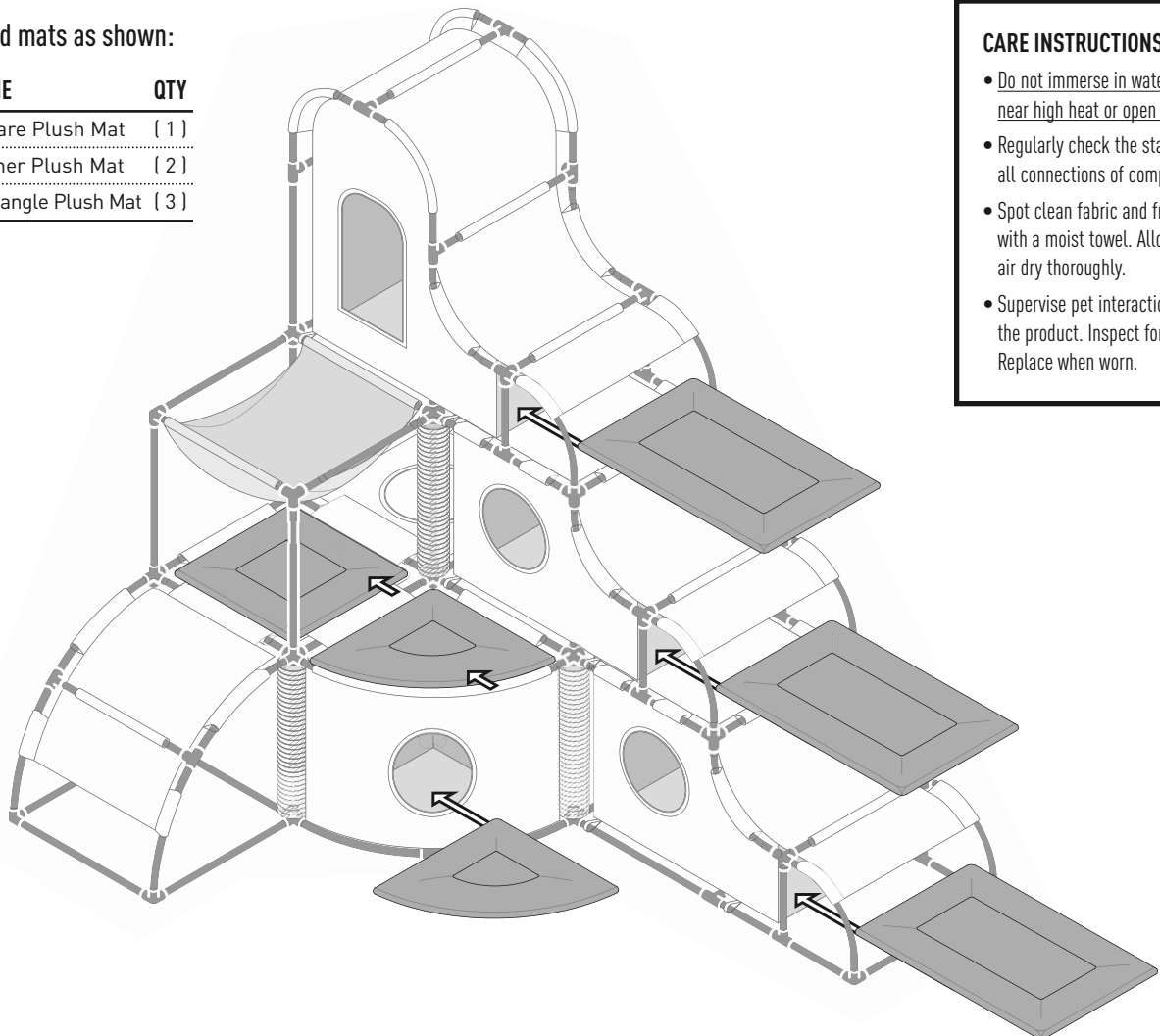
PARTS	NAME	QTY
2S	2-Way Straight	(1)
B28	Short Curve	(2)
D2	Hideaway Corner	(1)



Secure the velcro strips at the top.

To finish, add mats as shown:

PARTS	NAME	QTY
MG1	Square Plush Mat	(1)
MG2	Corner Plush Mat	(2)
MG3	Rectangle Plush Mat	(3)



CARE INSTRUCTIONS

- Do not immerse in water or place near high heat or open flame.
- Regularly check the stability of all connections of components.
- Spot clean fabric and frame with a moist towel. Allow to air dry thoroughly.
- Supervise pet interaction with the product. Inspect for wear. Replace when worn.