

Small Animal Home w/Platform

Model: #528

Instructions online at www.prevuepet.com

read first REVIEW BEFORE ASSEMBLY

- No tools are required for assembly
- For best results, follow the Steps in the order they are presented

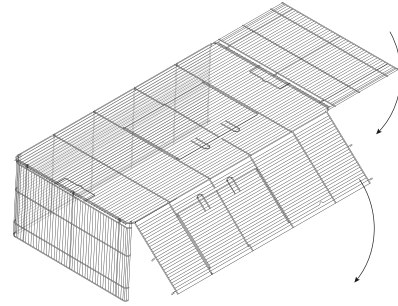
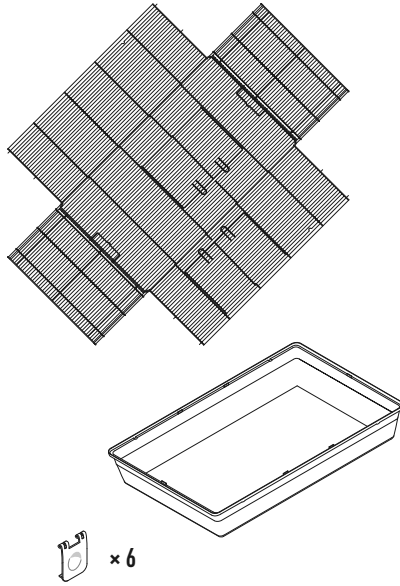
For assistance or replacement parts, please contact Prevue Pet Products:

PHONE 312.243.3624

ONLINE www.prevuepet.com

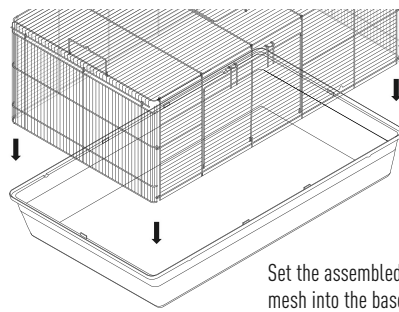
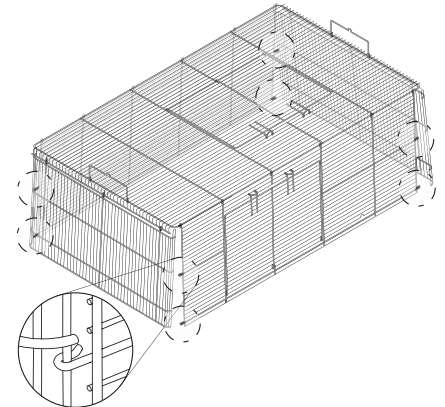
EMAIL customerservice@prevuepet.com

1 To assemble the **CAGE**, you will need these pieces:



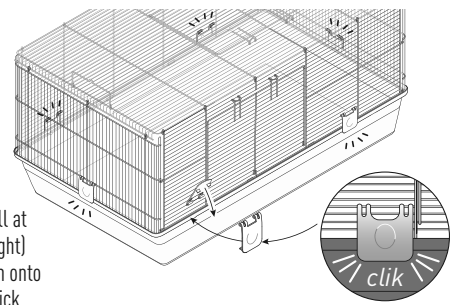
Rotate all four sides down to form the cage rectangle.

Catch the extended hooked wires on the front and back panels onto the side panels to close the mesh.

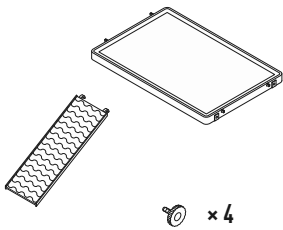


Set the assembled mesh into the base.

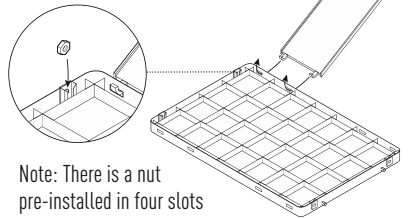
Catch the clips onto the horizontal wire (all at the same vertical height) and clamp them down onto the base until they click.



2 To add the **PLATFORM & RAMP**, you will need these pieces:

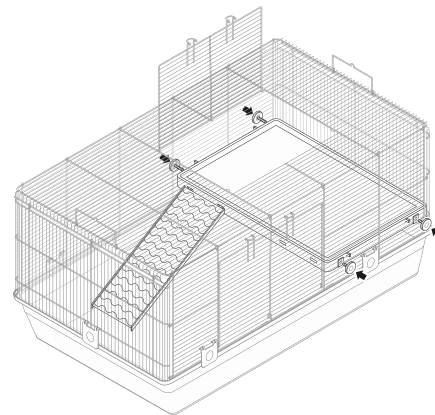


(As viewed from underneath) Catch the hooks from the ramp into the openings on the platform.



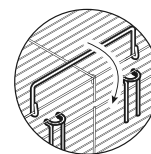
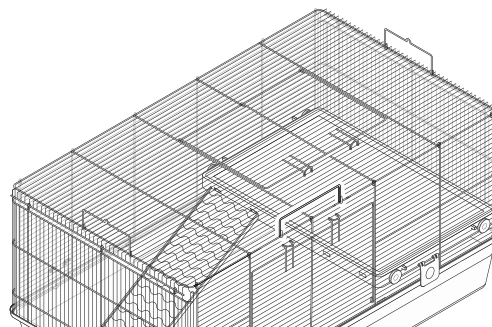
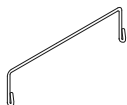
Note: There is a nut pre-installed in four slots under the platform.

Turn the ramp/platform unit right-side-up, and insert into the cage through the top access door.

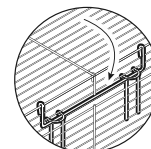


Check that the platform is level. From the outside of the cage, add and tighten the screw-in knobs to fix the platform in place.

3 To add the **SAFETY CLIP**, you will need this pieces:



To keep the front-side access door from being opened, hook the safety clip onto the top horizontal wire...



then rotate it down and let it catch under the door loops. This will prevent the door from being pushed open from the inside.