

# Catville™ CONDO

Model: # 7200 (Leopard) / # 7201 (Gray)

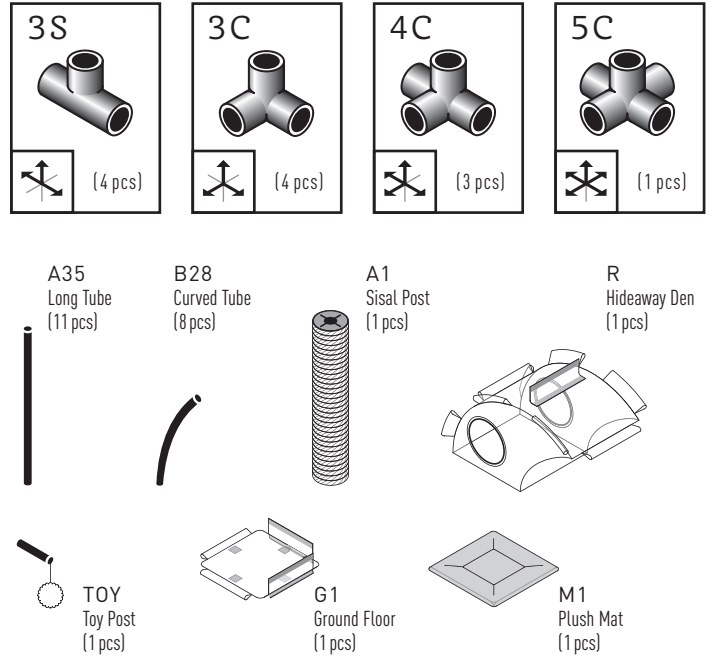
## read first REVIEW BEFORE ASSEMBLY

- Designed for hand assembly. No tools required.
  - Check regularly to ensure all components are connected.
  - Place finished unit in an area with room for cats to play and interact with all features.
- For assistance or replacement parts, please contact Prevue Pet Products:
- PHONE** 312.243.3624  
**ONLINE** [www.prevuepet.com](http://www.prevuepet.com)  
**EMAIL** [customerservice@prevuepet.com](mailto:customerservice@prevuepet.com)

## very helpful tips

- Loosely lay out all parts for each step.
- Slide tubes into fabric pockets first—then add connectors.
- Use appropriate force when assembling connectors and tubes to avoid unnecessary damage.

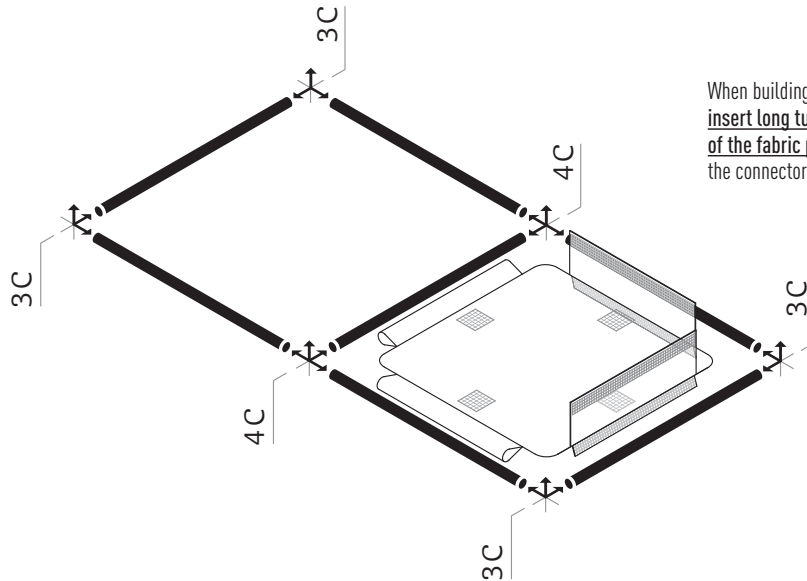
## connectors & parts



# 1

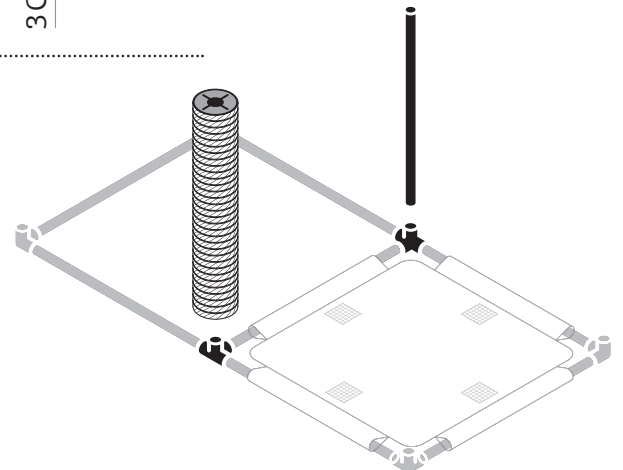
To form the **BASE**, you will need these pieces:

PARTS	NAME	QTY
3C	3-Way Corner	( 4 )
4C	4-Way Corner	( 2 )
A35	Long Tube	( 7 )
G1	Ground Floor	( 1 )



To finish the base, you will need these pieces:

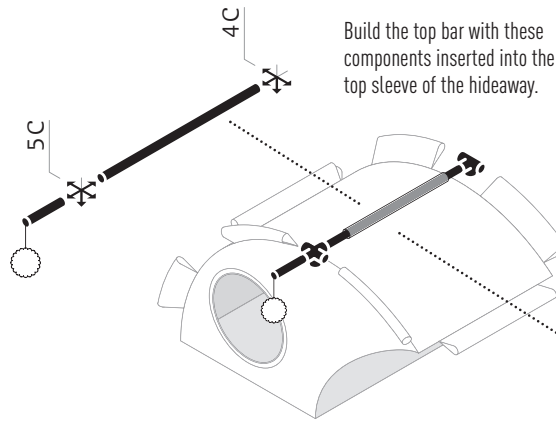
PARTS	NAME	QTY
A35	Long Tube	( 1 )
A1	Sisal Post	( 1 )



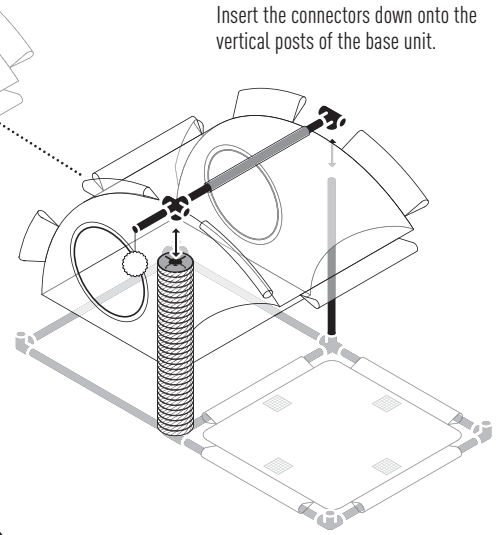
# 2

To form the **HIDEAWAY DEN**, you will begin with these pieces:

PARTS	NAME	QTY
4C	4-Way Corner	( 1 )
5C	5-Way Corner	( 1 )
A35	Long Tube	( 1 )
TOY	Toy Post	( 1 )
R	Hideaway Den	( 1 )



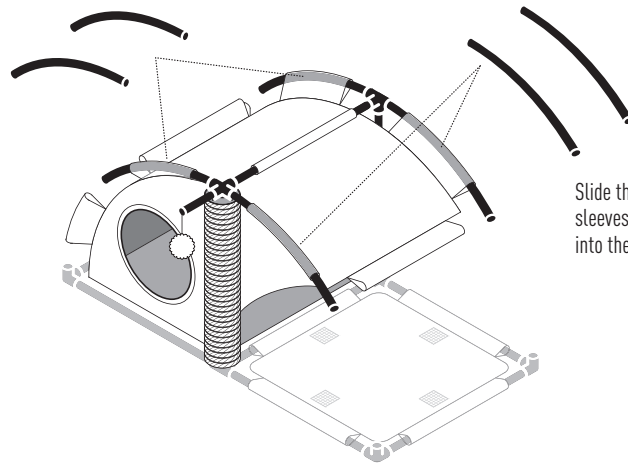
Build the top bar with these components inserted into the top sleeve of the hideaway.



Insert the connectors down onto the vertical posts of the base unit.

For the hideaway roofline, you will need these pieces:

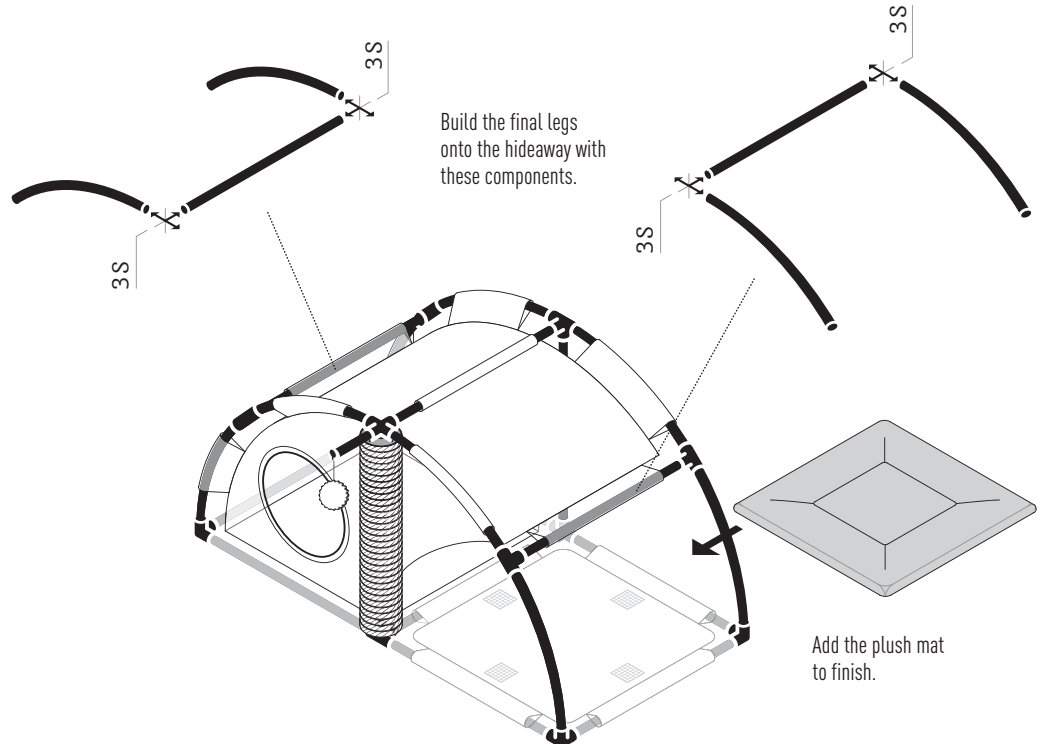
PARTS	NAME	QTY
B28	Curved Tube	( 4 )



Slide the curved tubes up into the sleeves from the bottom, and insert into the connectors.

To finish the hideaway, you will need these pieces:

PARTS	NAME	QTY
3S	3-Way Straight	( 4 )
A35	Long Tube	( 2 )
B28	Curved Tube	( 4 )
M1	Plush Mat	( 1 )



Build the final legs onto the hideaway with these components.

Add the plush mat to finish.

## CARE INSTRUCTIONS

- Do not immerse in water or place near high heat or open flame.
- Regularly check the stability of all connections of components.
- Spot clean fabric and frame with a moist towel. Allow to air dry thoroughly.
- Supervise pet interaction with the product. Inspect for wear. Replace when worn.