

Catville™ LOFT

Model: # 7220 (Leopard) / # 7221 (Gray)

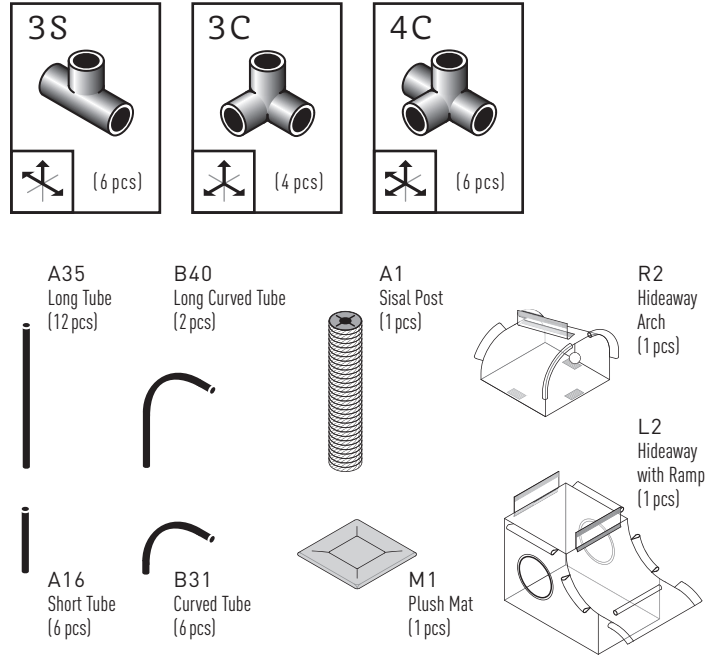
read first REVIEW BEFORE ASSEMBLY

- Designed for hand assembly. No tools required.
 - Check regularly to ensure all components are connected.
 - Place finished unit in an area with room for cats to play and interact with all features.
- For assistance or replacement parts, please contact Prevue Pet Products:
- PHONE** 312.243.3624
ONLINE www.prevuepet.com
EMAIL customerservice@prevuepet.com

very helpful tips

- Loosely lay out all parts for each step.
- Slide tubes into fabric sleeves first—then add connectors.
- Use appropriate force when assembling connectors and tubes to avoid unnecessary damage.

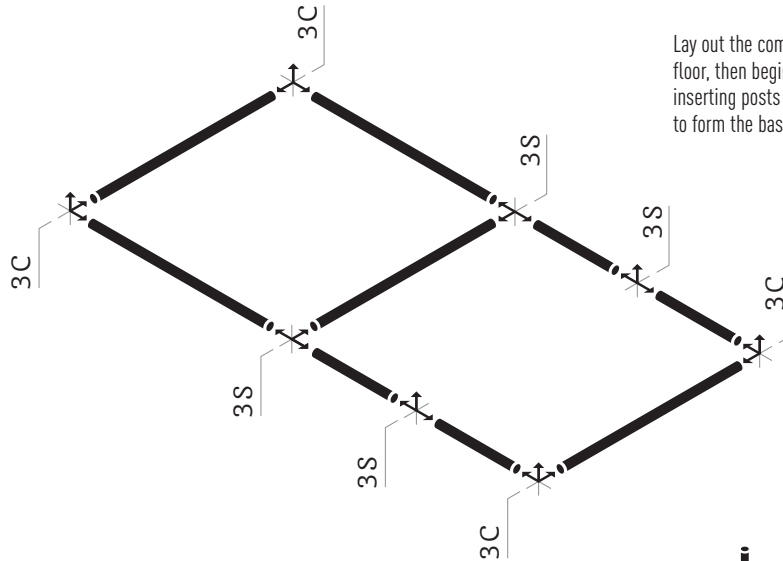
connectors & parts



1

To form the **BASE**, you will need these pieces:

PARTS	NAME	QTY
S	3-Way Straight	(4)
3C	3-Way Corner	(4)
A35	Long Tube	(5)
A16	Short Tube	(4)

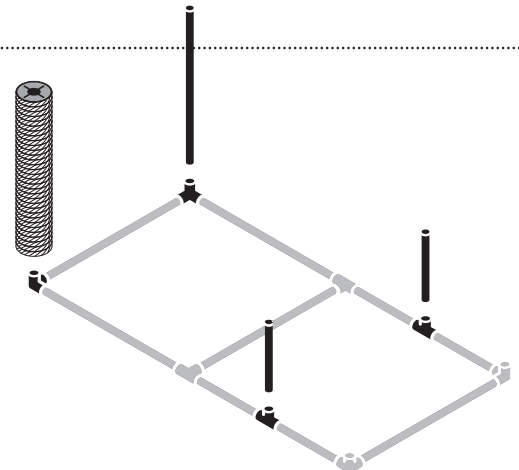


Lay out the components on the floor, then begin to assemble, inserting posts into connectors to form the base.

To finish the base, you will need these pieces:

PARTS	NAME	QTY
A35	Long Tube	(1)
A16	Short Tube	(2)
A1	Sisal Post	(1)

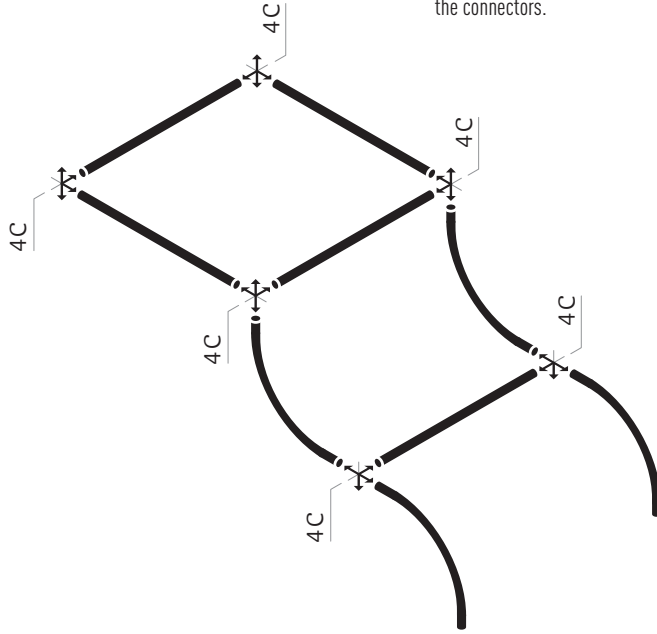
After the base has been assembled and firmly tightened, add the vertical tubes and Sisal post.



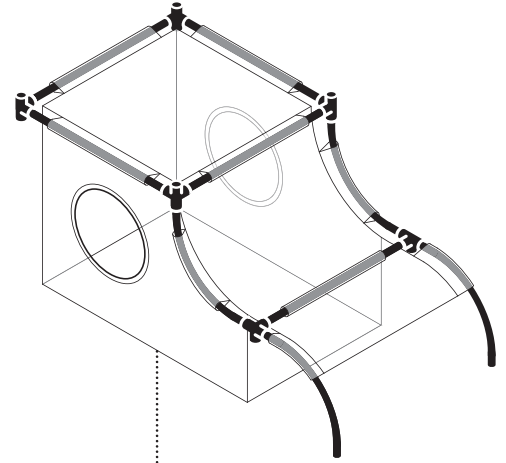
2

To form the **HIDEAWAY WITH RAMP**, you will need these pieces:

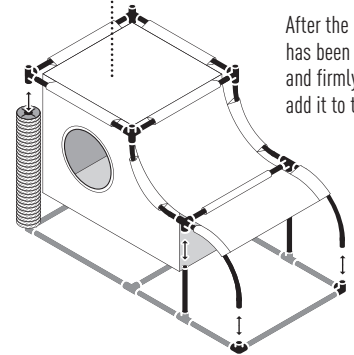
PARTS	NAME	QTY
4C	4-Way Corner	(6)
A35	Long Tube	(5)
B31	Curved Tube	(4)
L2	Hideaway w/Ramp	(1)



When building the hideaway unit, **insert the tubes into the sleeves of the fabric piece first**, then add the connectors.



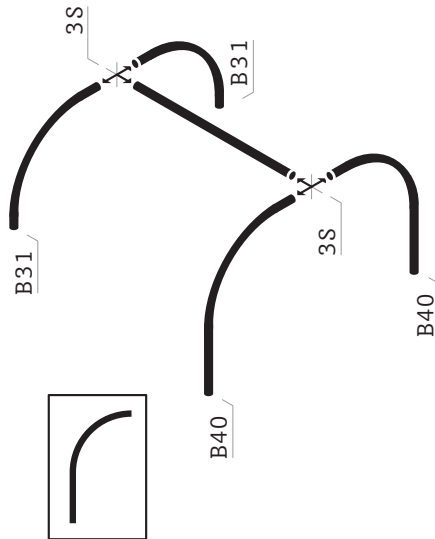
After the hideaway has been assembled and firmly tightened, add it to the base.



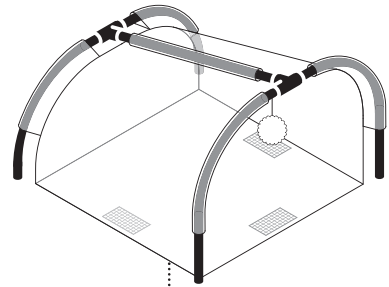
3

To form the **HIDEAWAY ARCH**, you will need these pieces:

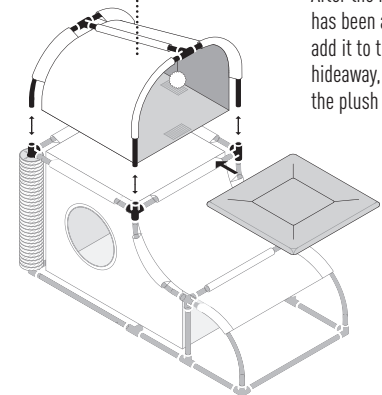
PARTS	NAME	QTY
3S	3-Way Straight	(2)
A35	Long Tube	(1)
B40	Long Curved Tube (all 2)	
B31	Curved Tube	(2)
R2	Hideaway Arch	(1)
M1	Plush Mat	(1)



Orient the B40 curve tubes vertically. The longer portion will create the height of the hideaway opening.



After the hideaway arch has been assembled, add it to the lower hideaway, and insert the plush mat.



CARE INSTRUCTIONS

- Do not immerse in water or place near high heat or open flame.
- Regularly check the stability of all connections of components.
- Spot clean fabric and frame with a moist towel. Allow to air dry thoroughly.
- Supervise pet interaction with the product. Inspect for wear. Replace when worn.