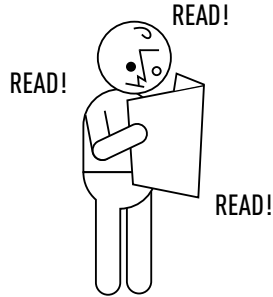


Follow this flight path

1

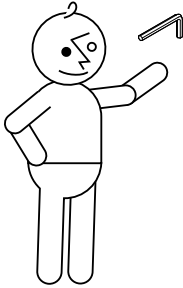


READ THESE INSTRUCTIONS!

Follow the enclosed Assembly Steps for a successful outcome. If you still have questions, we're here to help. Please contact our Prevue Customer Service team via email at :

customerservice@prevuepet.com

2



HELPFUL TOOLS

A hex key tool is included. You will need a small **Phillips** or **flathead screwdriver** (not included) for attaching the handles to the trays. You may find a small **adjustable wrench** (not included) useful when assembling the seed guards.

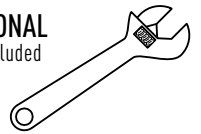
INCLUDED



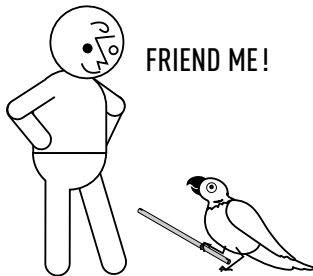
REQUIRED
not included



OPTIONAL
not included



3



GO IT ALONE or FIND A FRIEND

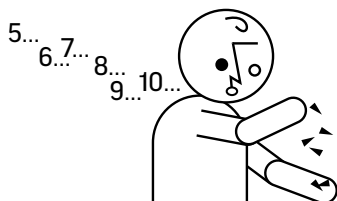
By following these steps in the order presented, most will find the assembly of this cage easy for one person. Some may find a second person's assistance helpful in some areas. If you're unsure, ask a friend to assist!



Look for this Partnership symbol throughout the instructions, marking the areas where we found it helpful to have assistance.

EASY AS 1-2-3!

4



REVIEW ALL PARTS & HARDWARE

After unpacking, review all parts and hardware and compare all components against the Parts List. Please contact the Prevue Customer Service team via email if any problems or issues arise :

customerservice@prevuepet.com

5



CARE FOR BIRDS

CAGE PLACEMENT

Birds are sensitive to environmental conditions like heat, cold, drafts, and fumes. As you establish the location of your cage, make sure it is removed from areas with strong odors and fumes, like those found around air fresheners, kitchens, and gas appliances. Keep cages out of cold and drafty areas, and away from heat sources like furnaces, fireplaces, or kitchen appliances. Avoid areas with harsh or direct sunlight.

ACTIVITY TOYS

Birds rely on toys to reduce boredom and destructive behavior and to keep physically and mentally stimulated. Prevue offers a complete range of toys grouped under two lines and four categories.

Playfuls™ incorporate a wide range of bird-safe shapes, colors, textures, materials and sizes. **Naturals™** consist of all-natural, sterilized, sustainable fibers, ropes, hardwoods, shells, and other natural materials.

Each line contains four categories of toys to satisfy the instinctual behaviors and activities of every bird size:

- **Physical & Mental:** Designed to provide exercise for the body and the mind, with elements to engage birds in problem-solving, manipulation, chewing, and balancing.
- **Sound & Movement:** Designed for aural and visual stimulation, with elements that are free-moving, noise-creating, reflective and bouncy.
- **Preen & Pacify:** Designed to function as stress-reducers, with a variety of materials and textures that engage birds in calming, comforting activity.
- **Forage & Engage:** Designed to satisfy a bird's instinctive need to search, root, uncover, extract, collect and nest. Many of these toys may be filled with treats or be replenished with fibers.

TOY TIPS

- To keep birds engaged with their toys, regularly introduce new and familiar toys into the cage environment on a monthly basis.
- Do not over-crowd the cage environment
- For new toys, supervise birds at play and observe their behavior.
- For existing toys, periodically inspect them for replenishment of fibers, or for replacement when worn or destroyed.

Check out all our toys at www.prevuepet.com

ACCESSORIES

We offer many accessories to promote your bird's well-being and upgrade the cage environment:

- Variable-shape perches for foot health
- Cage covers to quiet and calm birds at night
- Cuttlebones & mineral blocks for beak & nail grooming

Additional accessories, specifically for the #3154 Playtop model, include:

- #1047 Natural Branch Perch
- #12505 Good Night™ Cage Cover
- #1243/#1244 replacement stainless steel coop cups or #6404 Ceramic Cups/4-cup set

More accessories can be discovered at www.prevuepet.com

Perches and selected replacement parts are available for a nominal charge. Please contact Prevue customer service at: customerservice@prevuepet.com

TRAVEL CARRIERS

Always keep an appropriate-size travel carrier on hand for emergencies, travel or temporary housing when cleaning cages. Prevue offers several carrier styles — from backpack to soft case to durable steel. Visit www.prevuepet.com

CONTACT RESOURCES FOR PREVUE PET PRODUCTS

EMAIL	customerservice@prevuepet.com
ONLINE	www.prevuepet.com
PHONE	+1 (312) 243-3624
FAX	+1 (312) 243-4224
SOCIAL	Facebook + Instagram



For more wonderful cages, toys, and accessories for birds, cats, chickens, rabbits, ferrets, dogs and small animals, visit www.prevuepet.com



Playtop Home PARTS LIST

Instructions online at www.prevuepet.com

CUSTOMER SUPPORT

For assistance or replacement parts, please contact Prevue Pet Products:

PHONE 1 (312) 243-3624

ONLINE www.prevuepet.com

EMAIL customerservice@prevuepet.com

KEY:

PT = Playtop Component

SG = Seed Guard

L = Left Side Panel

B = Back Panel

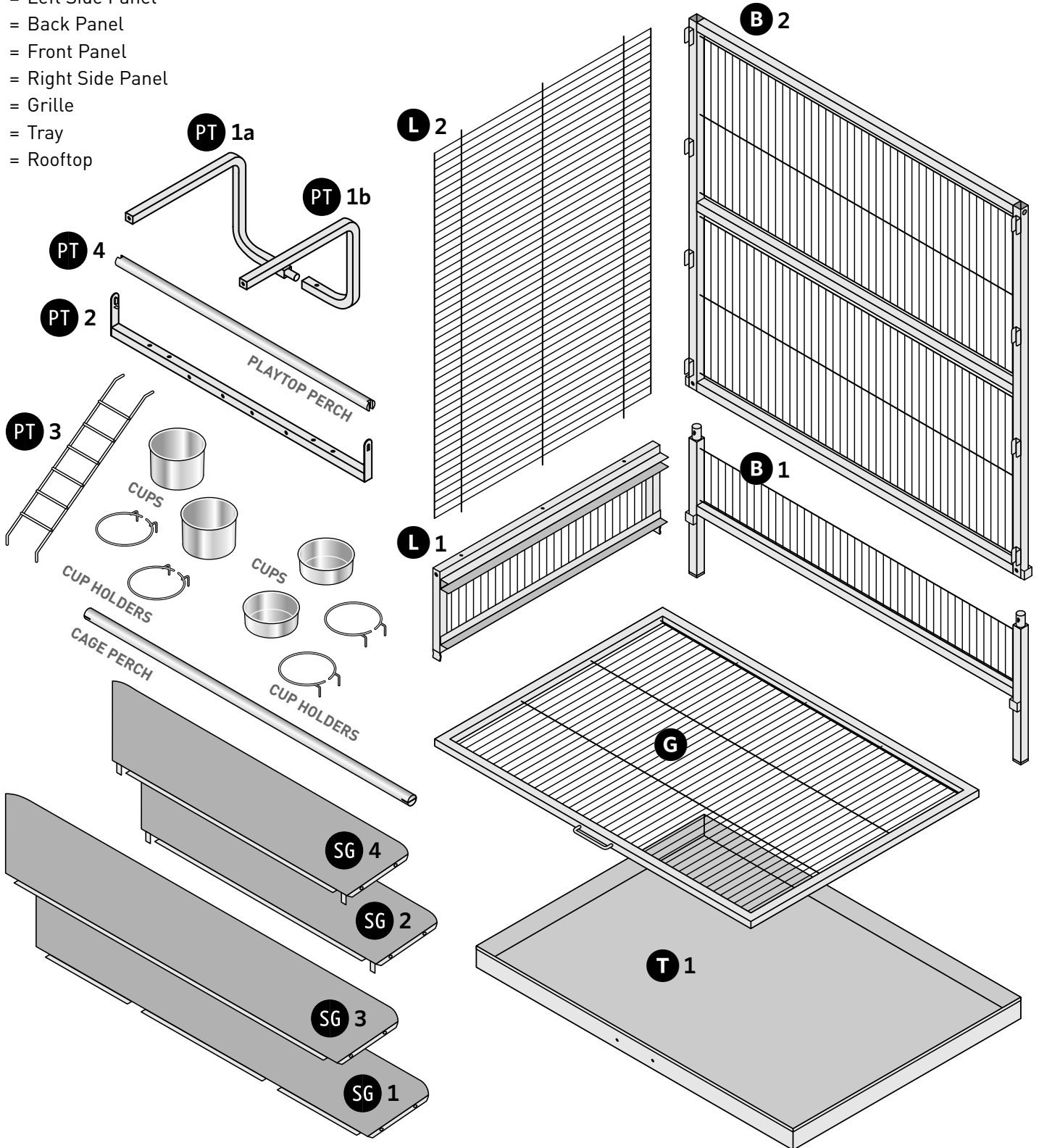
F = Front Panel

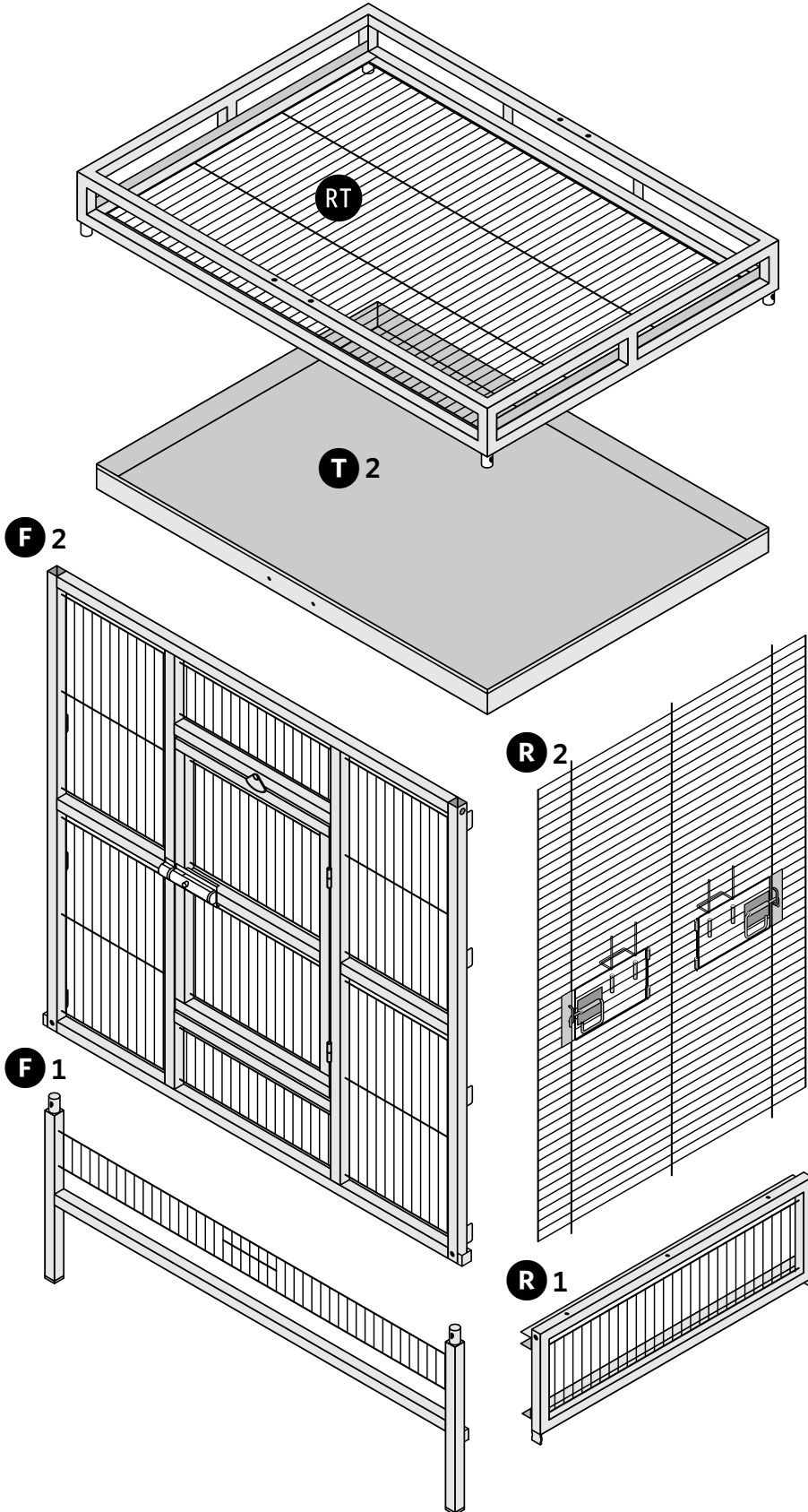
R = Right Side Panel

G = Grille

T = Tray

RT = Rooftop





HARDWARE + TOOLS



Hex screw (long)
8 pieces (+1 extra)



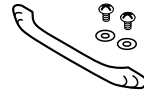
Hex screw (short)
4 pieces



Hex screw + Nut
8 pair



Grille clip
1 piece



1 Handle + 2 screws
+ 2 washers
2 sets



Caster
4 pieces

Hex Key (included)



TOOLS (not included)

Small Phillips or
Flathead Screwdriver
(required / not included)

Crescent wrench
(optional / not included)



These parts are
interchangeable:

L 2 = **R** 2

L 1 = **R** 1

SG 2 = **SG** 4



Playtop Home ASSEMBLY

Instructions online at www.prevuepet.com

CUSTOMER SUPPORT

For assistance or replacement parts, please contact Prevue Pet Products:

PHONE 1 (312) 243-3624

ONLINE www.prevuepet.com

EMAIL customerservice@prevuepet.com

TOOLS: Small Phillips or Flathead Screwdriver (required/not included) • Crescent Wrench (optional/not included) • For best results, follow Steps in order.

KEY:

- F = Front Panel
- B = Back Panel
- L = Left Side Panel
- R = Right Side Panel
- PT = Playtop Component
- RT = Roof
- G = Grille
- T = Tray
- SG = Seed Guard



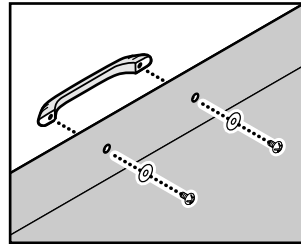
You may wish to involve an assistant during certain steps of this assembly. Look for this Partnership symbol throughout these instructions. →



PREASSEMBLE



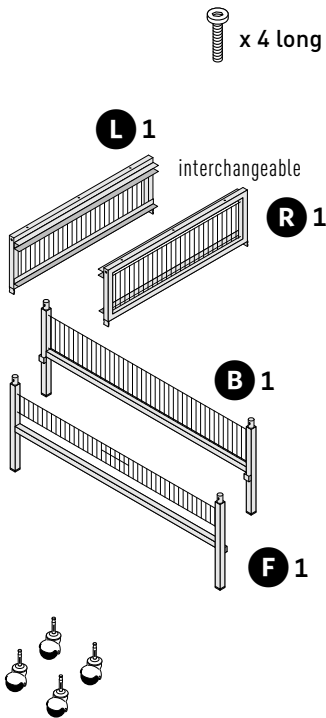
Small Phillips or Flathead Screwdriver
(required / not included)



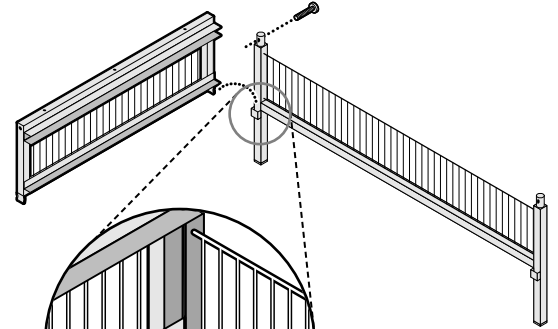
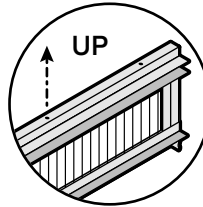
PREASSEMBLE

Attach the **handles** to the trays with the washers and small screws.

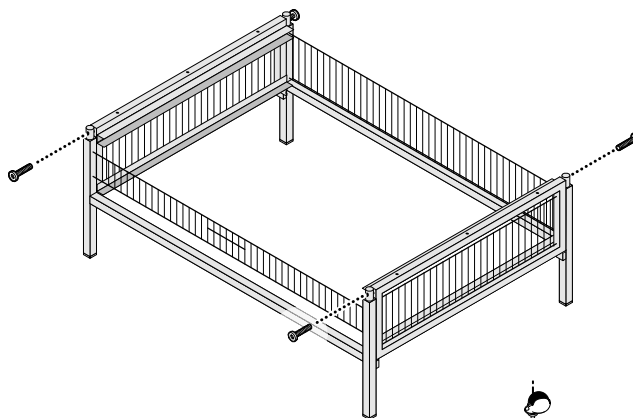
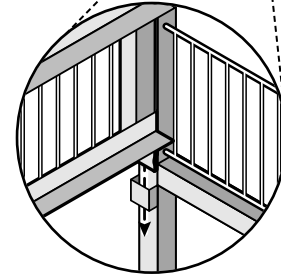
1 PIECES



Orient the lower side panels with the holes facing up and the grille/tray channels facing the interior.

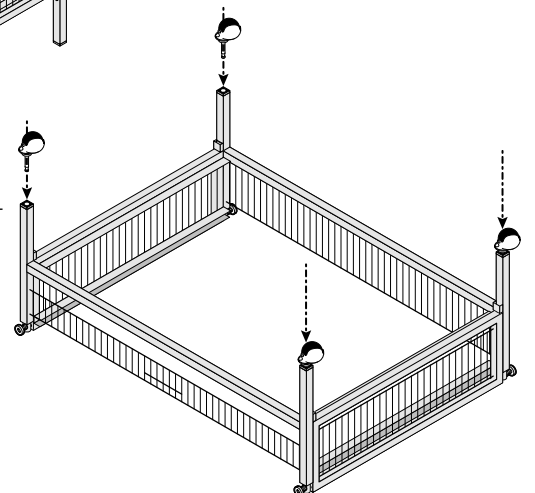


A. Slip the tab on the lower side panel onto the sleeve on the frame leg. Loosely hand-tighten a long hex screw at the top, just enough to hold the panels together.

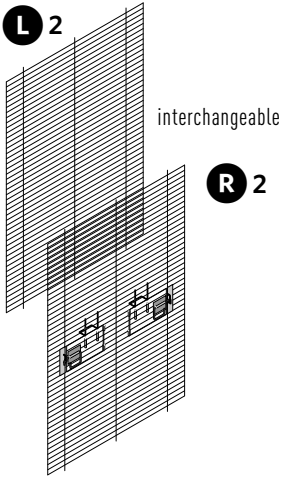
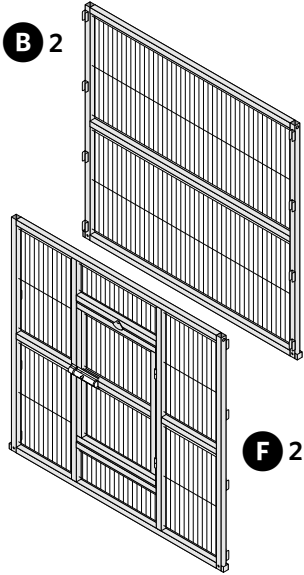


B. Add the other lower side panel and the lower front panel in the same manner, and loosely hand screw the panels together with long hex screws.

C. Carefully flip the assembled unit over and fully insert a **caster** into each frame leg. When finished, carefully return the unit to an upright position.



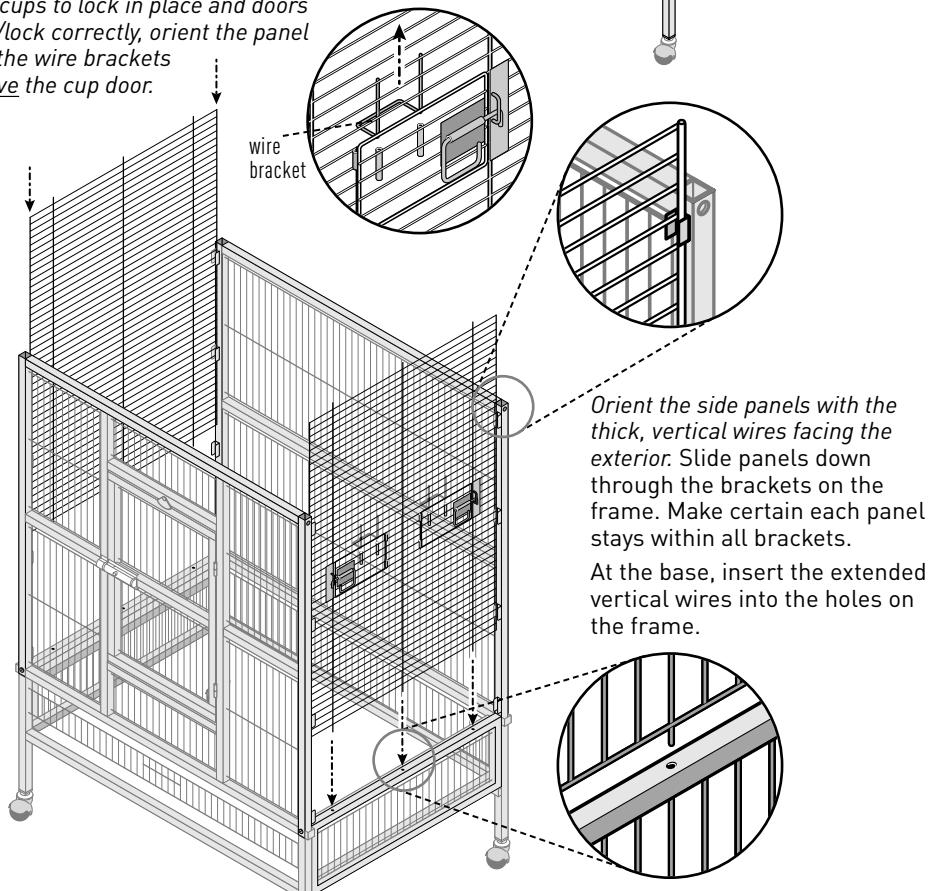
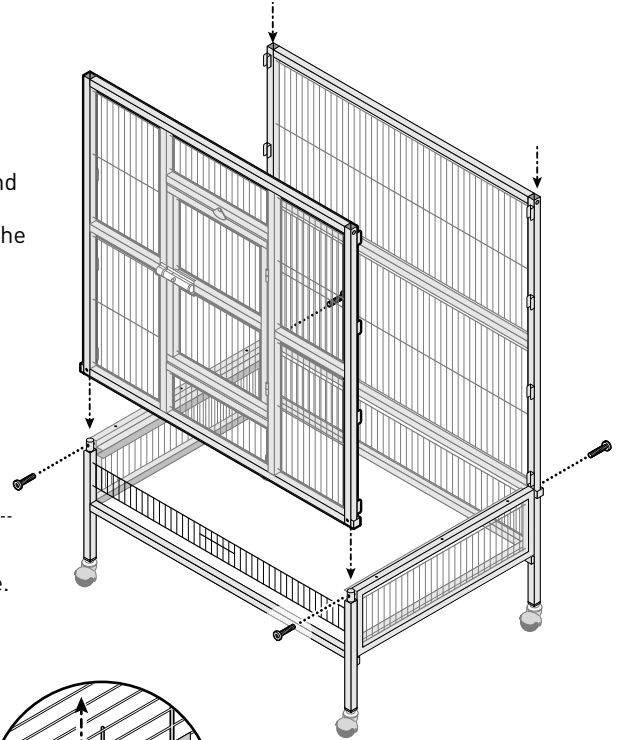
2 PIECES




A.
Remove the two loose front screws and carefully insert the **upper front panel** onto the lower panel posts. Reinsert the screws and tighten until snug.

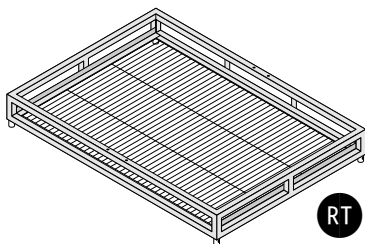
B.
Repeat the same procedure for the **upper back panel**.

C.
Slide the **upper side panels** into place. *The panel with the cup doors can be inserted on the left or right side. For the cups to lock in place and doors to open/lock correctly, orient the panel so that the wire brackets are above the cup door.*



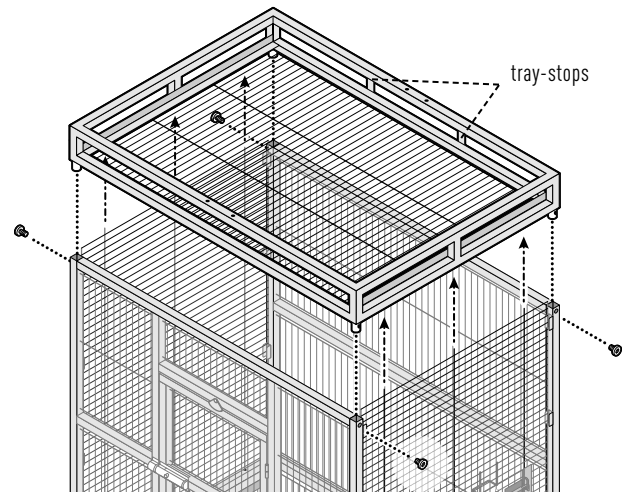
3 PIECES

 x 4 short

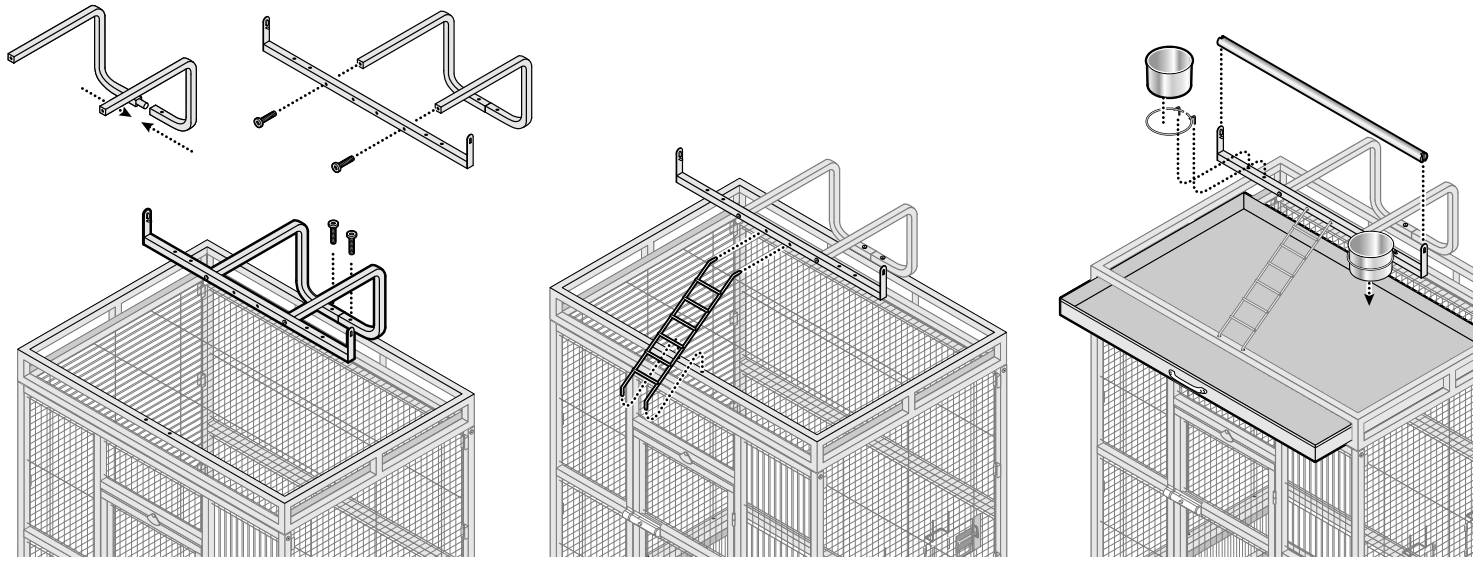
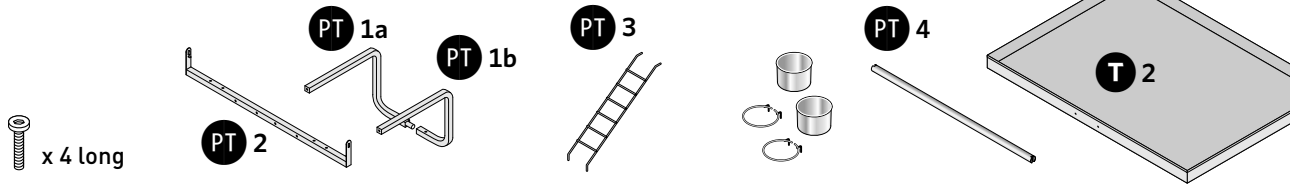


Orient the rooftop with the tray stops at the back.

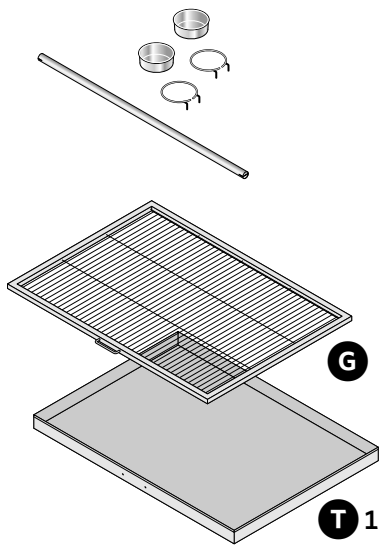
Set the **roof** in place. Insert the corner posts into the open frame corners. Insert the extended wires on the side panels into the holes on the underside of the roof frame. Attach the roof at the corners with the short hex screws.



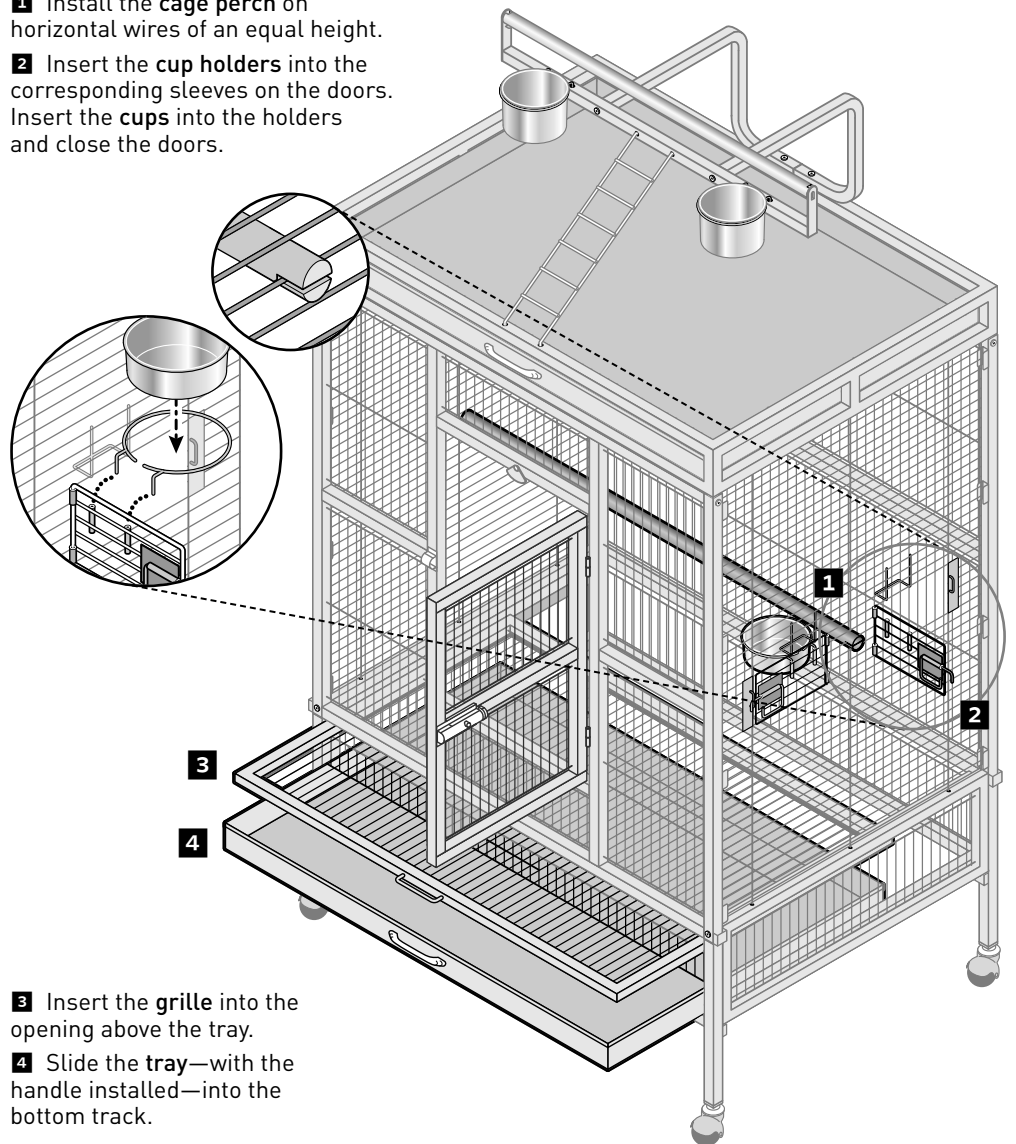
3 continued



4 PIECES



- 1 Install the cage perch on horizontal wires of an equal height.
- 2 Insert the cup holders into the corresponding sleeves on the doors. Insert the cups into the holders and close the doors.

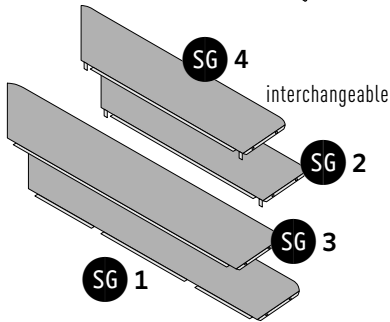


- 3 Insert the grille into the opening above the tray.
- 4 Slide the tray—with the handle installed—into the bottom track.

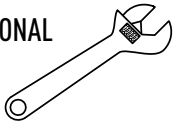
5 PIECES



x 8 pair



OPTIONAL

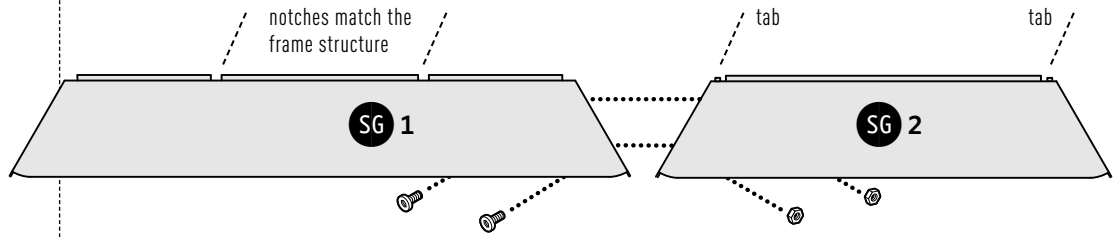
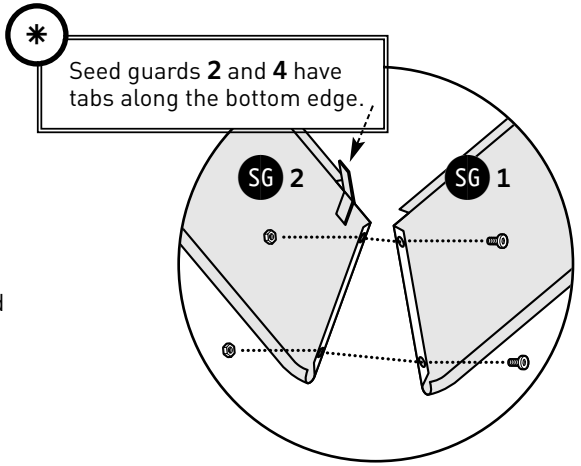


Assemble the **front & side seed guards** on the floor. Start with the guards upside down: **SG 2**, with the **tabs up**
SG 1, with the **notches up**

Attach the two guards together with the hex screw/nut pairs.

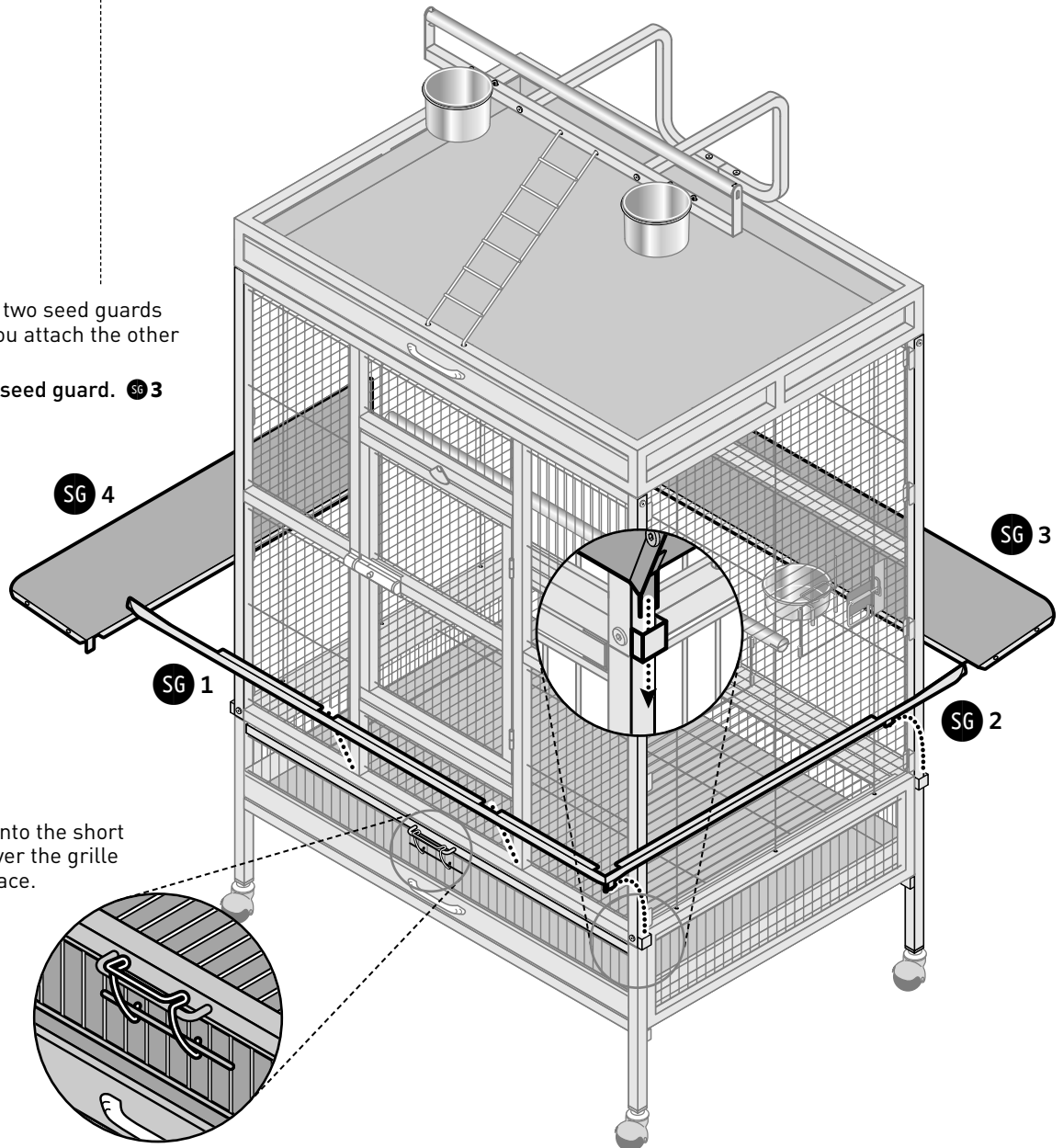
Carefully turn the assembled unit over and place it on the cage by:

- (along the side) inserting the tabs into the sleeves on the frame;
- (along the front) matching the notches to the cage frame.



Have your assistant hold the two seed guards in place on the cage, while you attach the other **side seed guard. SG 4**

Finish by attaching the **back seed guard. SG 3**



Finally, catch the **grille clip** onto the short horizontal wire and hook it over the grille handle to lock the grille in place.

Assembly completed. ■