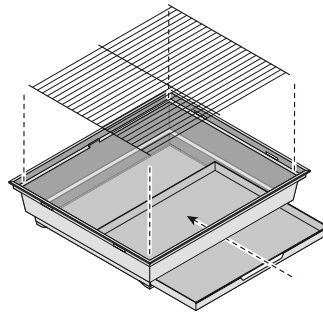
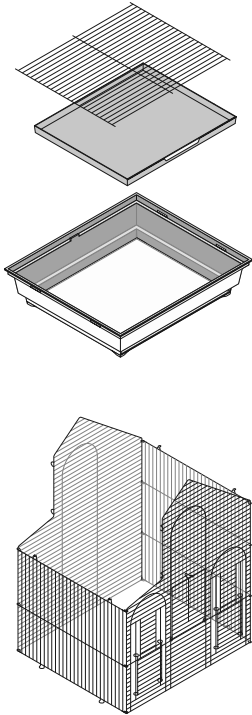
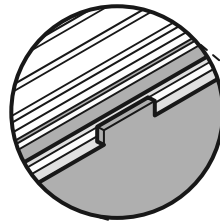


1 PIECES

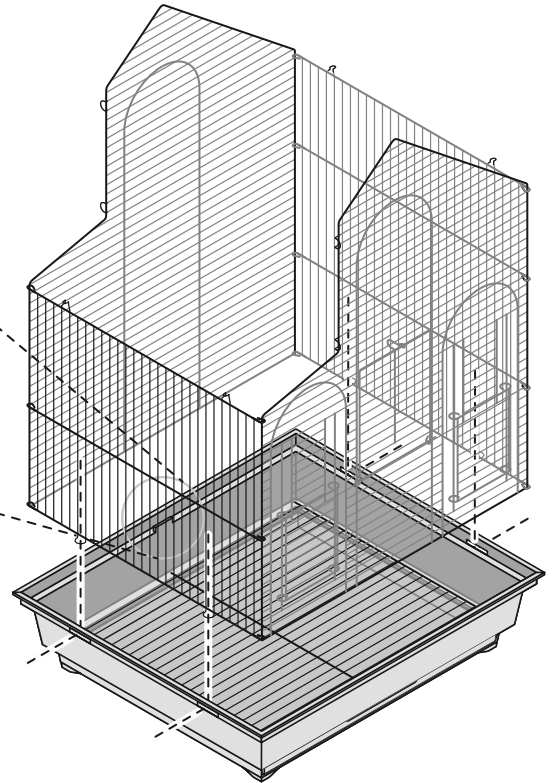


Prepare the **base** by placing the **grille** down into the base and sliding the tray in from the front.

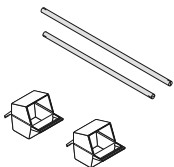


Beginning with one side panel and finishing with the other, insert the extended wire loops on the **cage body** into the slots on the base.

Along the back and front, position the bottom wires between the raised tab and the outer base wall.

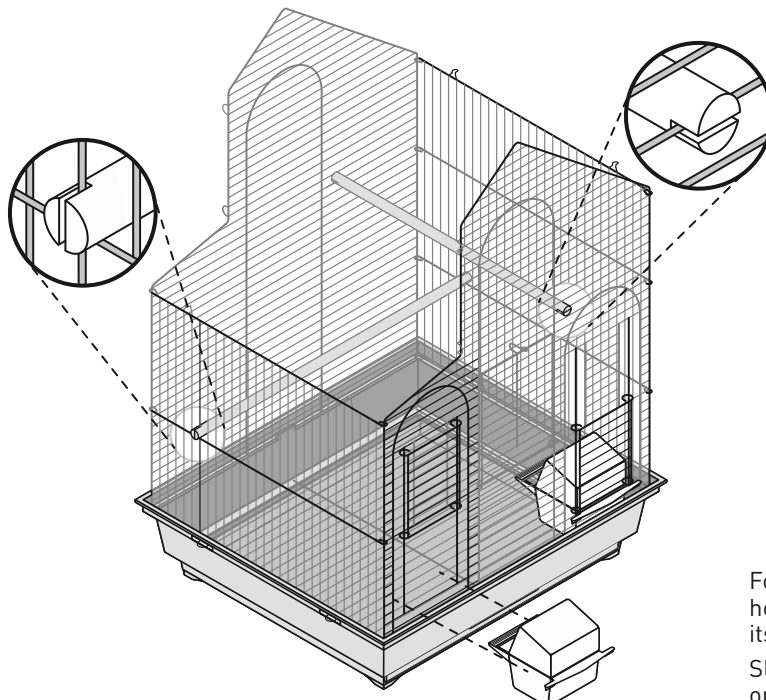


2 PIECES



Insert the longer **perch** on a vertical wire, side-to-side across the cage, and resting on a horizontal wire.

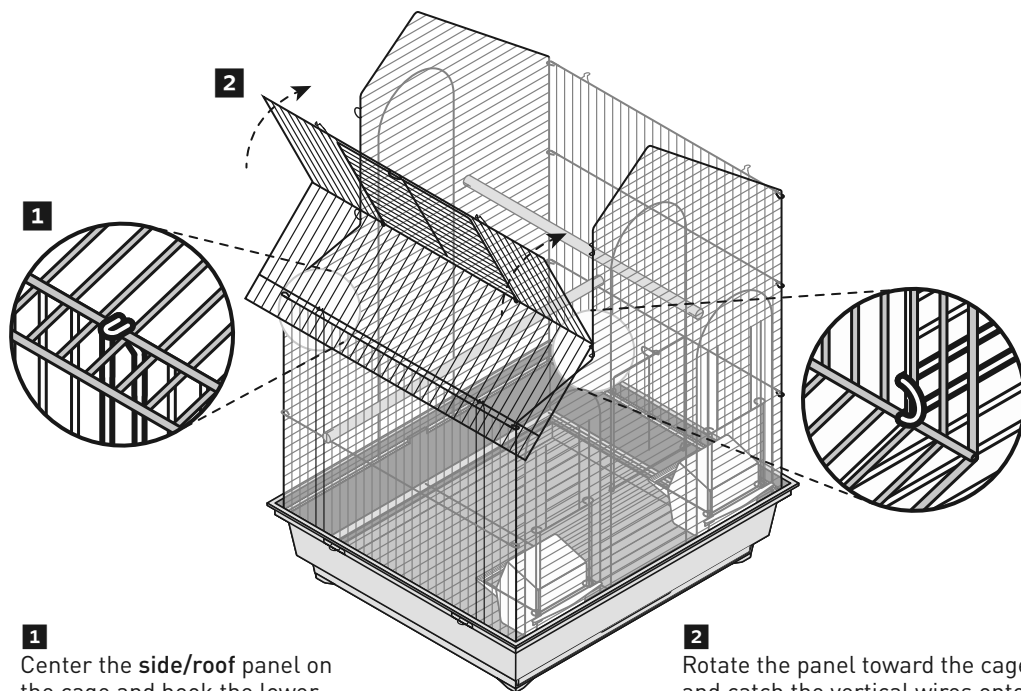
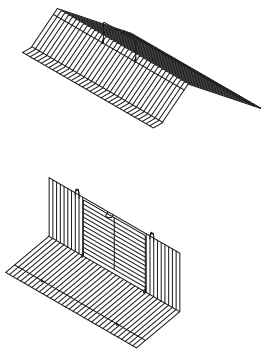
Insert the shorter **perch** front-to-back on horizontal wires of an equal height.



For each **cup**, push the hood of the cup down onto its base.

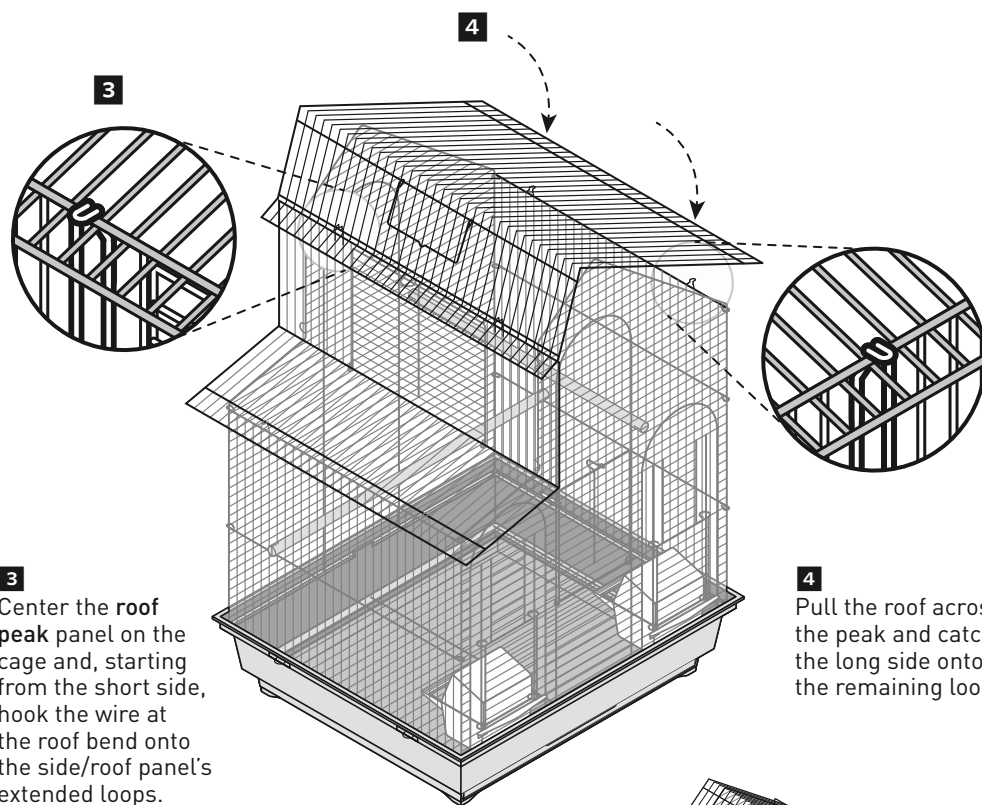
Slide the cup doors up to open and insert the cups.

3 PIECES



1 Center the **side/roof** panel on the cage and hook the lower wire onto the side panel's extended loops.

2 Rotate the panel toward the cage and catch the vertical wires onto the two extended loops along each of the front and back panels.



3 Center the **roof peak** panel on the cage and, starting from the short side, hook the wire at the roof bend onto the side/roof panel's extended loops.

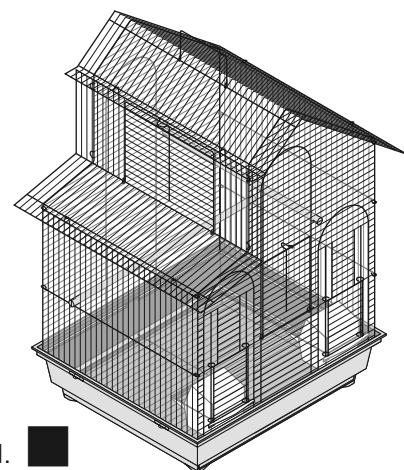
4 Pull the roof across the peak and catch the long side onto the remaining loops.

*

CLEANING INSTRUCTIONS

To prolong the life of your new Prevue Pet Products cage, we recommend:

- When cleaning the cage and parts, use a soft cloth or non-abrasive scrub pad (such as Prevue's #109 Cage Saver).
- Wash all parts with warm water and a mild, pet-safe, environmentally friendly soap.
- Rinse thoroughly.
- Hand dry all parts completely with a soft dry cotton cloth before reassembling the cage.
- Do not leave plastic parts in the sun to dry as they may warp.



Assembly completed. ■