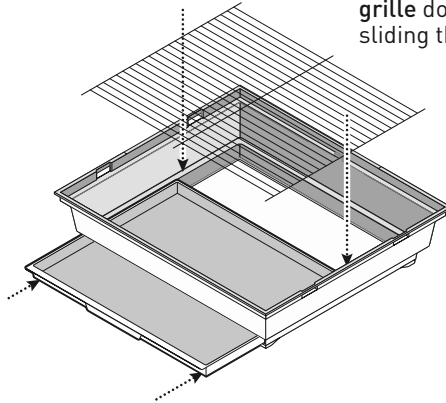
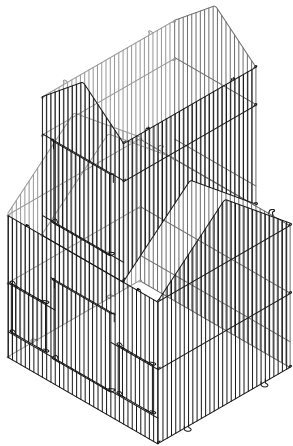
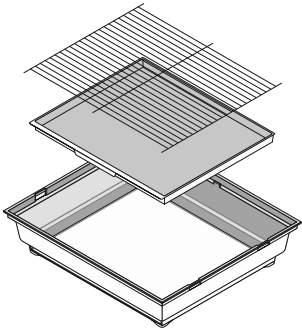


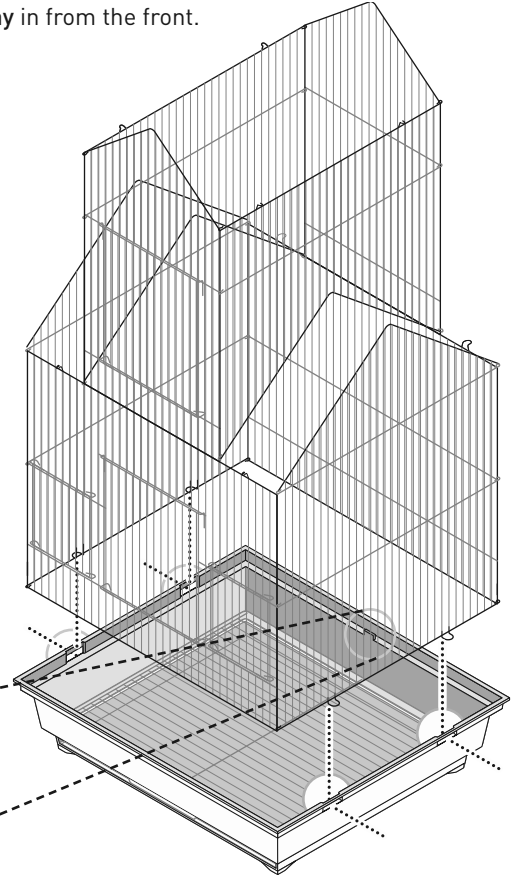
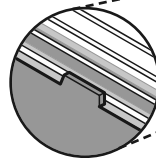
**1** PIECES



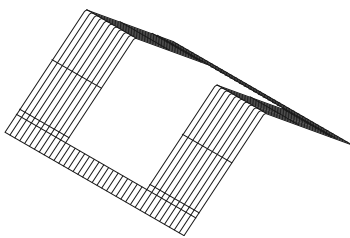
Prepare the **base** by placing the **grille** down into the base and sliding the **tray** in from the front.

**SIDES:** Insert the extended wire loops at the bottom of the **cage body** into the slots on the **base**.

**FRONT/BACK:** Along the back and front rims of the base, position the bottom wires between the outer base wall and the inner raised tab.

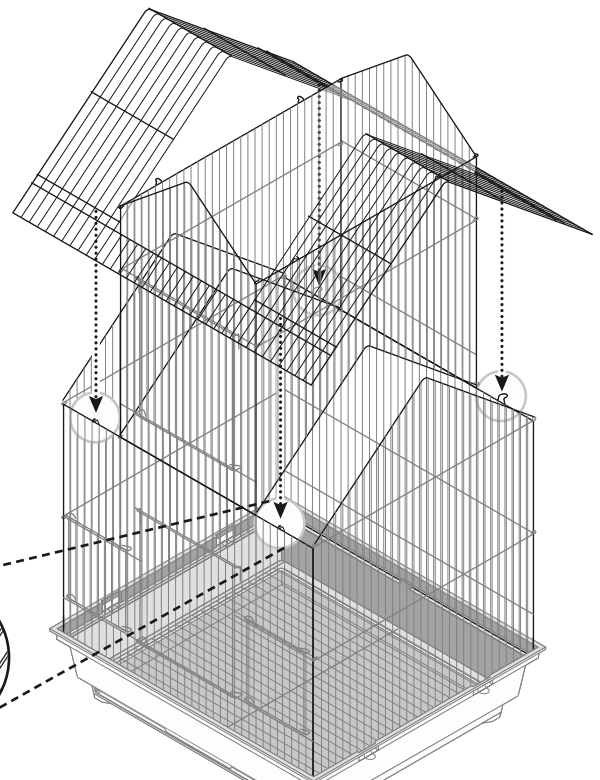
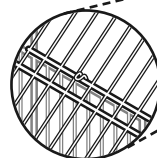


**2** PIECES

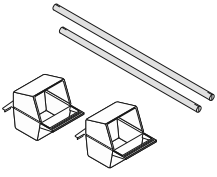


Insert the **midlevel roof** down over the central portion of the cage body.

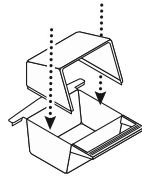
Hook the top inner horizontal wire under the loop on the cage body to hold the midlevel roof in place. (Two in front, two in back.)



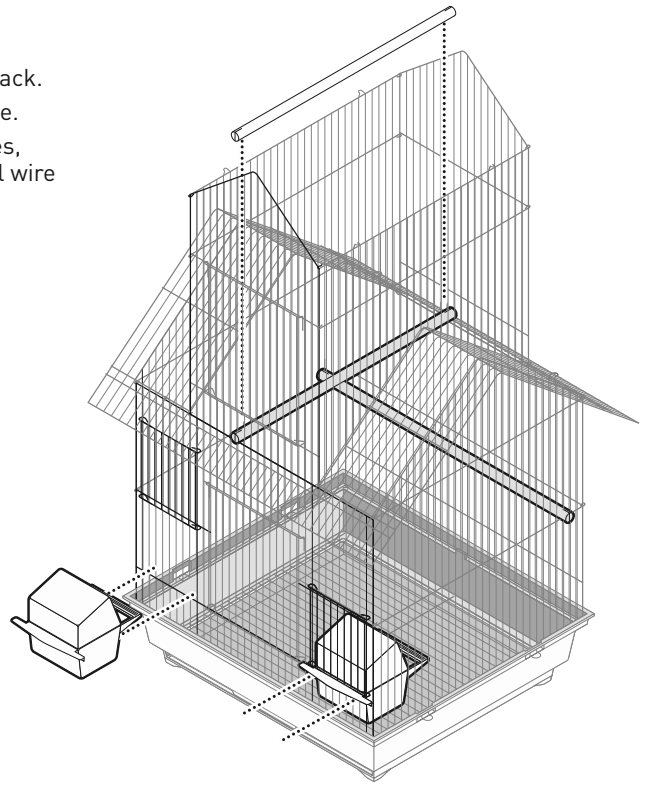
# 3 PIECES



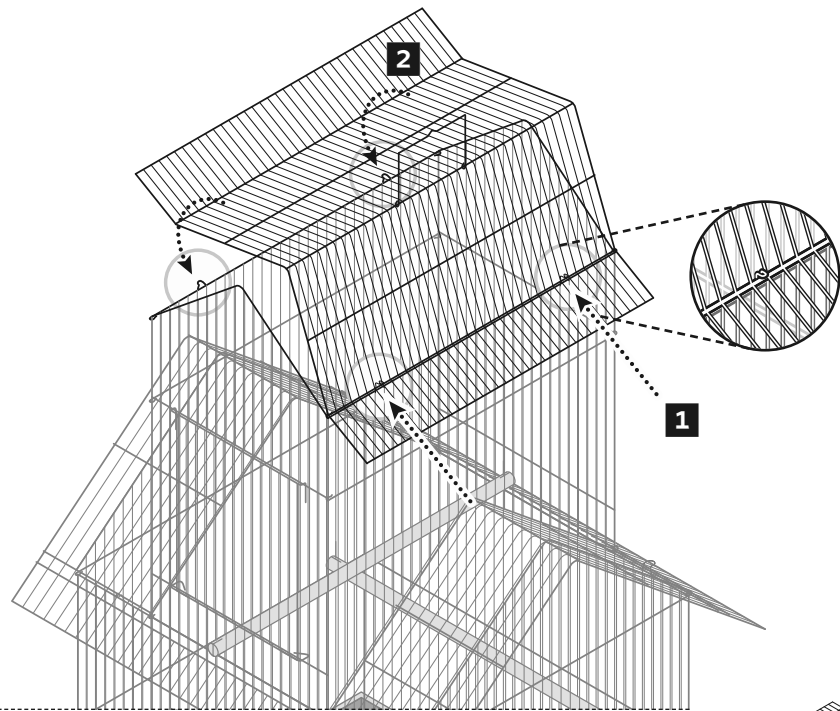
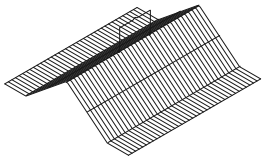
- The shorter perch fits front-to-back.
  - The longer perch fits side-to-side.
- Insert the **perches** on vertical wires, and settled down onto a horizontal wire for stability.



For each two-piece **cup**, push the hood of the cup down onto its base. Slide the cup doors up and insert the cups.

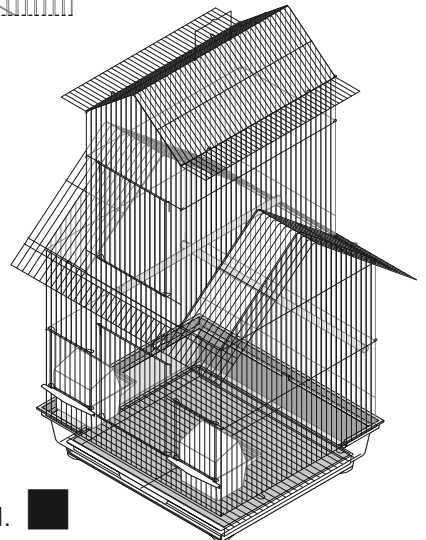


# 4 PIECES



**1** Center the **peak roof** on the cage and, starting from the side, hook the horizontal wire at the roof bend under the loops on the cage body.

**2** Pull the roof across the peak and catch the other side onto the remaining loops.



Assembly completed. ■

## \*

### CLEANING INSTRUCTIONS

To prolong the life of your new Prevue Pet Products cage, we recommend:

- When cleaning the cage and parts, use a soft cloth or non-abrasive scrub pad (such as Prevue's #109 Cage Saver).
- Wash all parts with warm water and a mild, pet-safe, environmentally friendly soap.
- Rinse thoroughly.
- Hand dry all parts completely with a soft dry cotton cloth before reassembling the cage.
- Do not leave plastic parts in the sun to dry as they may warp.