



Small/Medium Cage ASSEMBLY

Instructions online at www.prevuepet.com

CUSTOMER SUPPORT

For assistance or replacement parts, please contact Prevue Pet Products:

PHONE 1 (312) 243-3624
ONLINE www.prevuepet.com
EMAIL customerservice@prevuepet.com

For best results, follow the Assembly Steps in the order presented.

PARTS

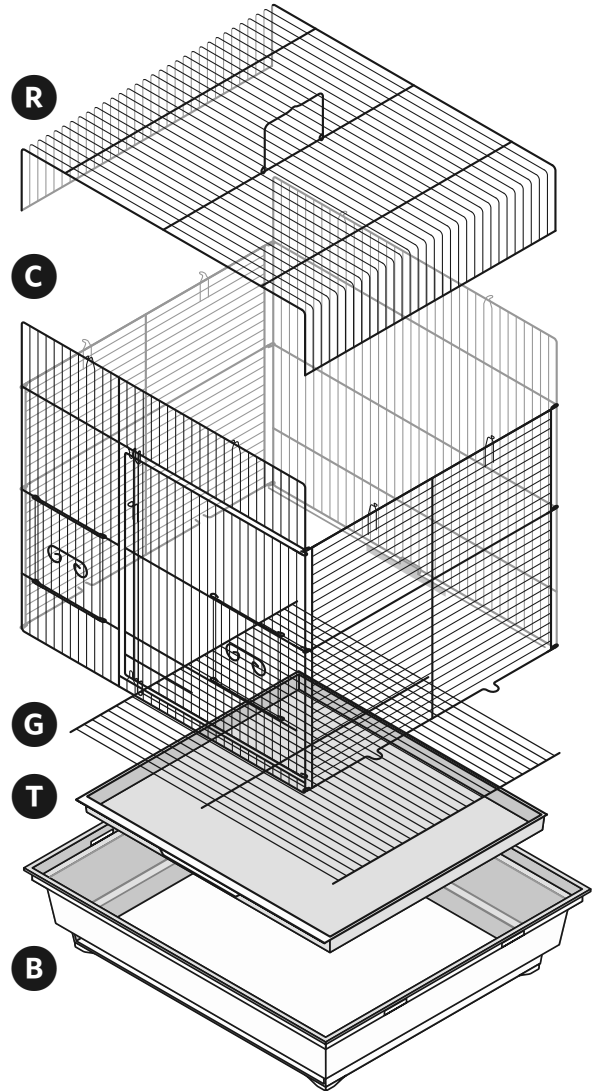
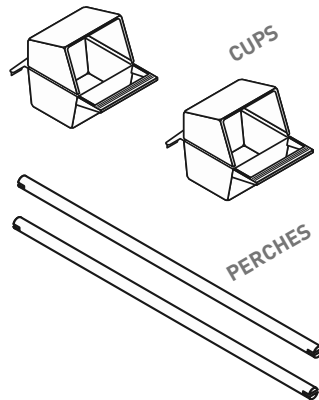
KEY:

- C = Cage Body
- G = Grille
- T = Tray
- B = Base
- R = Roof

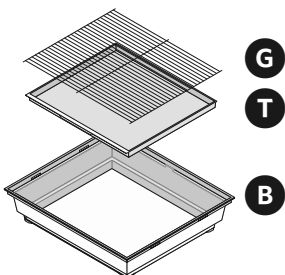
CLEANING:

To prolong the life of your new Prevue Pet Products cage, we recommend:

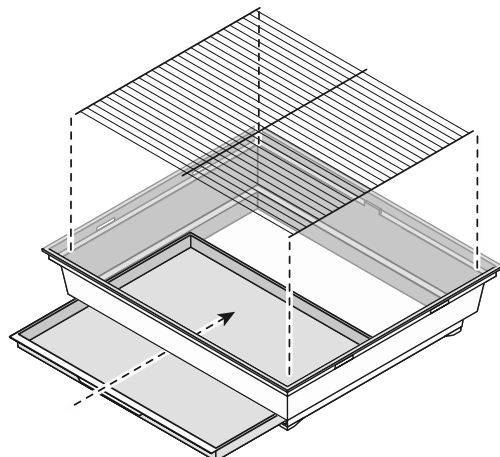
- When cleaning the cage and parts, use a soft cloth or non-abrasive scrub pad (such as Prevue's #109 Cage Saver).
- Wash all parts with warm water and a mild, pet-safe, environmentally friendly soap.
- Rinse thoroughly.
- Hand dry all parts completely with a soft dry cotton cloth before reassembling the cage.
- Do not leave plastic parts in the sun to dry as they may warp.



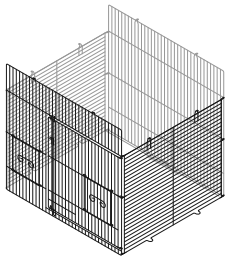
1 PIECES



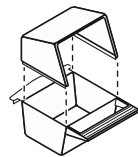
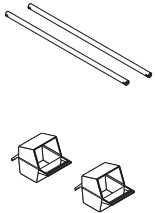
Prepare the **base** by placing the **grille** down into the base and sliding the **tray** in from the front.



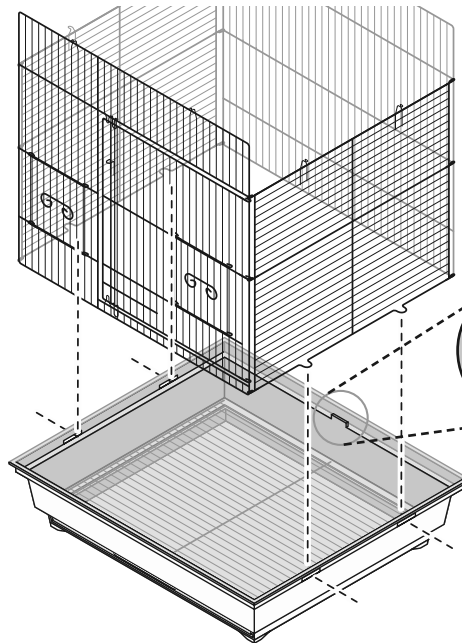
2 PIECES



C



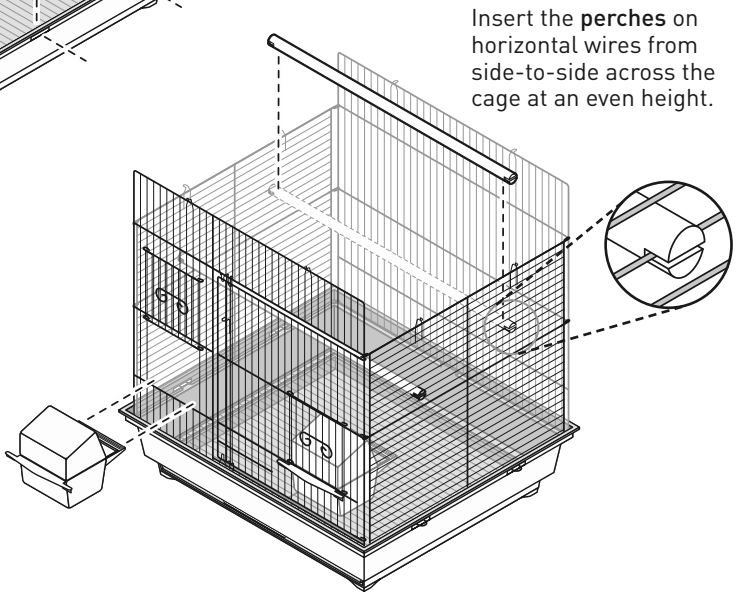
For each **cup**, push the hood of the cup down onto its base. Slide the cup doors up to open and insert the cups.



Unfold the cage body mesh.

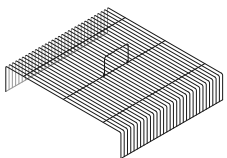
Set the cage body into the base, inserting the wire bump-outs into the openings along the rim of the base.

Along the back rim of the base, position the bottom wire between the outer base wall and the inner raised tab.

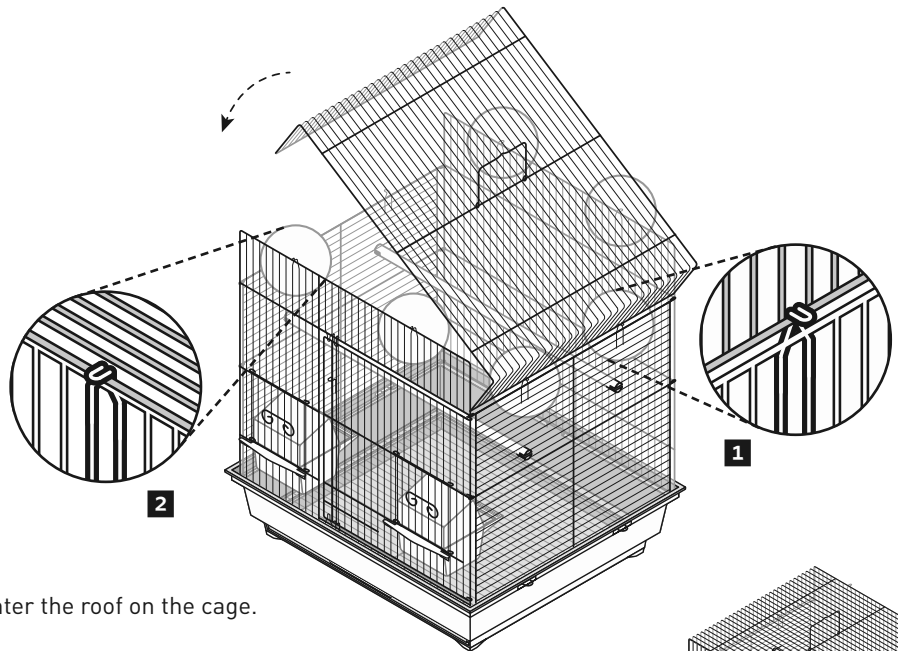


Insert the **perches** on horizontal wires from side-to-side across the cage at an even height.

3 PIECES



R



Center the roof on the cage.

1

Catch the right side **roof panel** under the hooked wires on the side panel.

2

Along the front and back panel roof lines, catch the outer wires of the roof onto the extended hooks.

Finish by catching the left side under the side panel hooks.

Assembly completed. ■

