

# Dometop Home

For All Dometop Models:  
 #34511/34512 (small)  
 #34521/34522 (medium)  
 #34531 (large)

Instructions online at [www.prevuepet.com](http://www.prevuepet.com)

## read first

REVIEW BEFORE ASSEMBLY

- An allen wrench is included. No other tools are required.
- Hardware and assembly steps are the same for all Dometop model sizes and colors: #34511/12, #34521/22, and #34531. The models differ in dimensions only.

- For best results, follow steps in order.

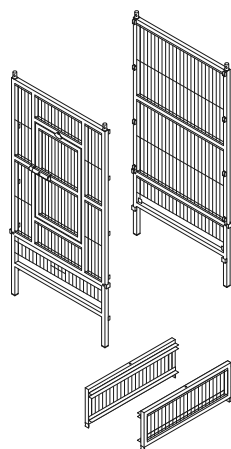
For assistance or replacement parts, please contact Prevue Pet Products:

**PHONE** 312.243.3624

**ONLINE** [www.prevuepet.com](http://www.prevuepet.com)

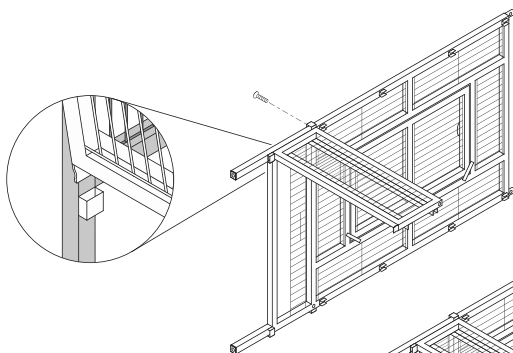
**EMAIL** [customerservice@prevuepet.com](mailto:customerservice@prevuepet.com)

**1** To begin the assembly of your **DOMETOP HOME**, you will need these pieces:



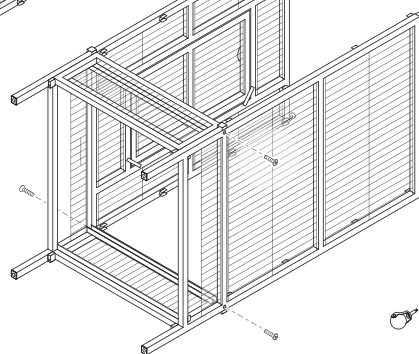
 × 4

 × 4 (long)

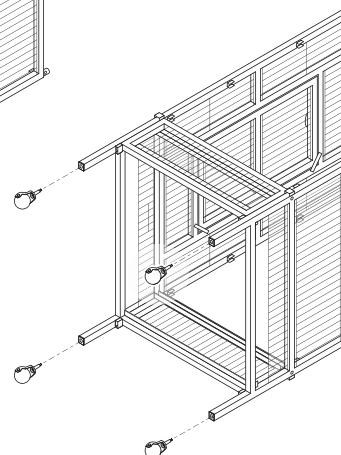


Lay the front panel on its side. Slip the tab on the short panel into the sleeve on the front panel frame. Secure the short panel with a long hex screw.

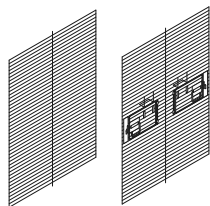
In the same manner, add the back panel and the opposite-side short panel.



With the cage still on its side, add the rolling casters into the frame legs.



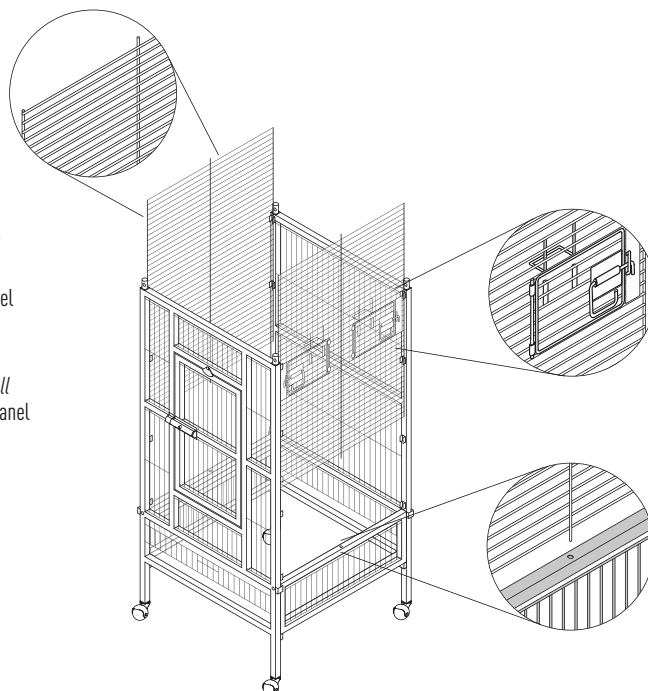
**2** To assemble the **SIDES**, you will need these pieces:



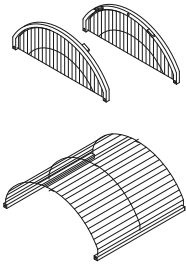
Stand the cage upright.

Slide the side panels into place:

- The heavy vertical wires face the cage exterior
- The handles on the cup door panel face the cage exterior
- When sliding a panel into place, keep the panel centered within *all channels* on the front and back panel frame rails
- The extended vertical wire at the bottom will insert into the hole in the side panel frame



### 3 To assemble the **DOMETOP ROOF**, you will need these pieces:



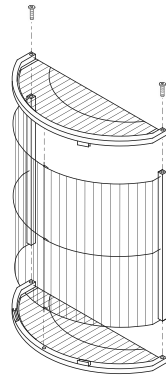
× 4 (long)



*NOTE: Front and back dometop arch panels are interchangeable.*

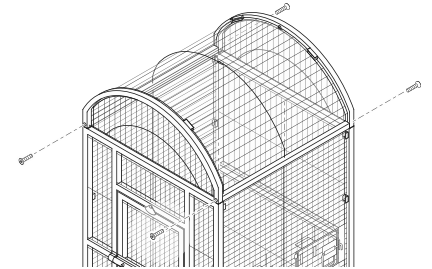
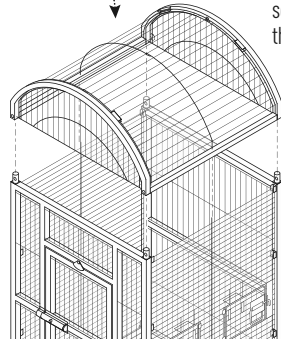
Lay a dometop panel on the floor. Set the roof panel into place, inserting the extended wire into the hole, and centering the roof edge within the channels.

Set the remaining dometop panel into place following the same method. On the end facing you, loosely attach the panel to the roof with two long hex screws.

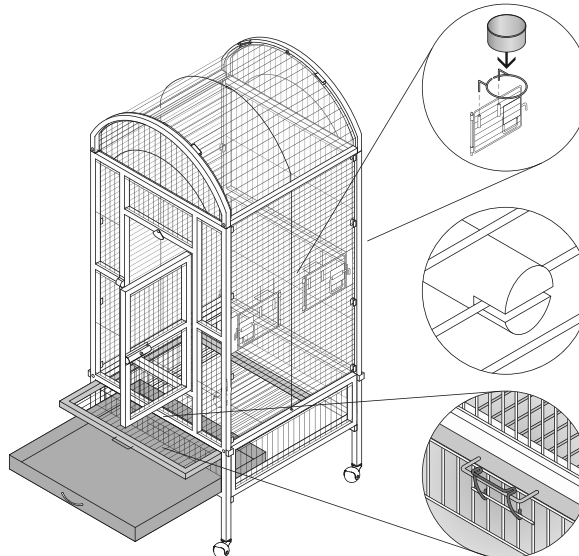
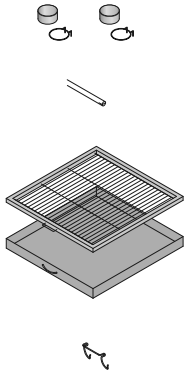


With two hands holding the dometop unit together, set the unit into place onto the posts on the cage frame.

Remove the two hex screws. Nestle the dometop into place, inserting the extended wires on the roof into the holes on the side frames. Secure the roof in all four corners with long hex screws.



### 4 To install the **COMPONENTS**, you will need these pieces:

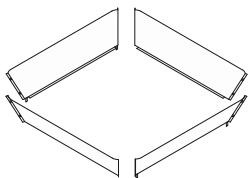


**For both cups:**  
Open the cup door. Insert the cup holder into the sleeves. Insert the cup into the holder.

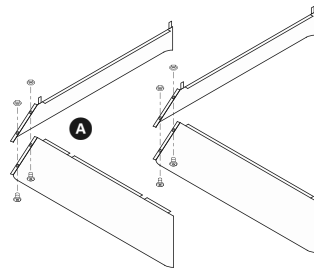
**For the perch:**  
Perch fits in the cage from side to side. Install the perch on a horizontal wire, at the same height on both ends.

**For the grille and tray:**  
Slide the tray into the bottom channel. Slide the grille into the top channel. Secure the grille with the grille clip: catch the open-hook ends onto the short horizontal wire; swing the clip up and hook it over the grille handle.

### 5 Finish the assembly with the **SEED GUARDS**. You will need these pieces:



× 8 sets  
(short hex screws with nuts)



Follow the illustration closely. Pre-assemble the seed guard pairs by turning them upside down and attaching them with short hex screw/nut pairs.

When both seed guard sets are pre-assembled, the pair with the notches **A** fits along the front and right side.

Have your allen wrench and screw/nut pairs at the unfinished corners. Slip the remaining seed guard pair into place and attach the open corners with the remaining screw/nut pairs.

