

# Catville™ TOWNHOME

Model: # 7235 (Leopard)  
Instructions online at [www.prevuepet.com](http://www.prevuepet.com)

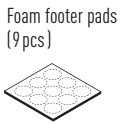
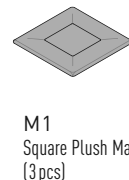
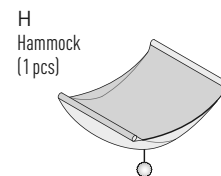
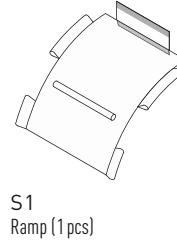
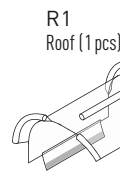
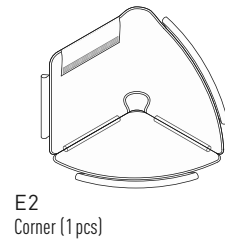
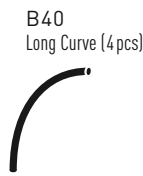
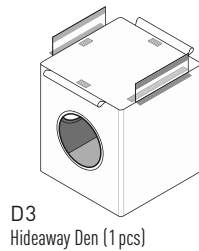
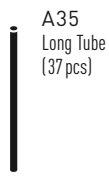
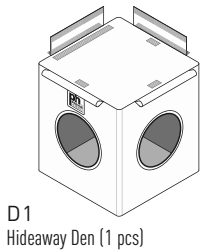
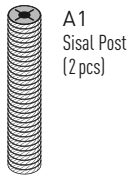
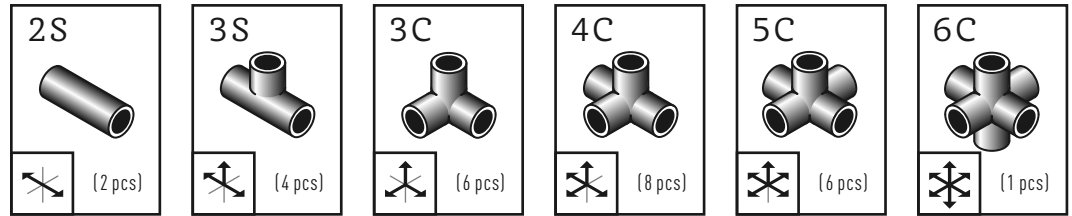
## very helpful tips

- Loosely lay out all parts for each step.
- Slide tubes into fabric sleeves first—then add connectors.
- Use appropriate force when assembling connectors and tubes to avoid unnecessary damage.

## read first REVIEW BEFORE ASSEMBLY

- Designed for hand assembly. No tools required.
  - Check regularly to ensure all components are connected.
  - Place finished unit in an area with room for cats to play and interact with all features.
- For assistance or replacement parts, please contact Prevue Pet Products:  
**PHONE** 312.243.3624  
**ONLINE** [www.prevuepet.com](http://www.prevuepet.com)  
**EMAIL** [customerservice@prevuepet.com](mailto:customerservice@prevuepet.com)

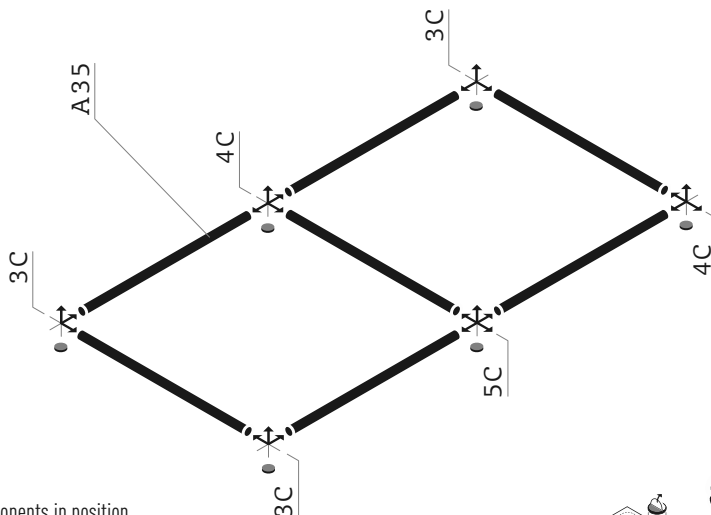
## connectors & parts



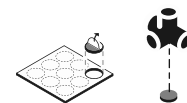
# 1a

To form the **BASE (pt.1)**, you will need these pieces:

PARTS	NAME	QTY
3C	3-Way Corner	( 3 )
4C	4-Way Corner	( 2 )
5C	5-Way Corner	( 1 )
A35	Long Tube	( 7 )
	Foam Pads	( 6 )



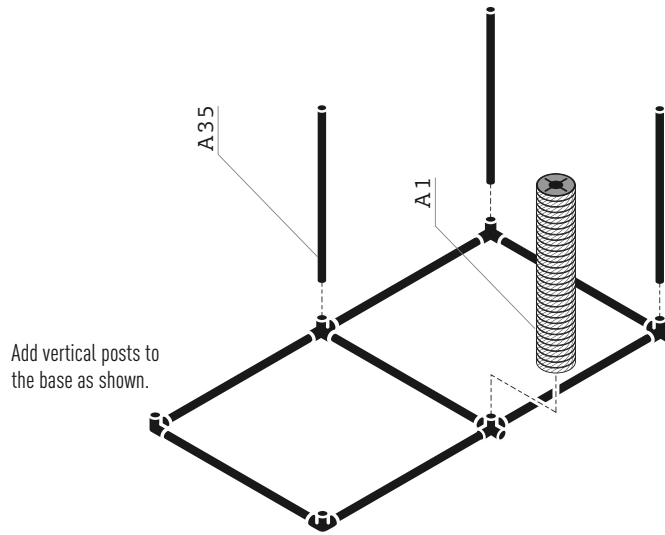
FIRST, lay out the components in position.  
NEXT, insert tubes into connectors to form the base.



Self-adhesive foam pads (if used) should be placed on the underside of all connectors.

Then these pieces:

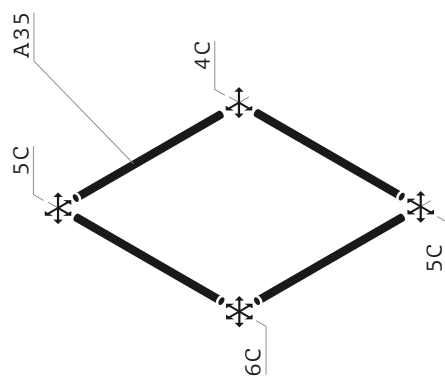
PARTS	NAME	QTY
A35	Long Tube	( 3 )
A1	Sisal Post	( 1 )



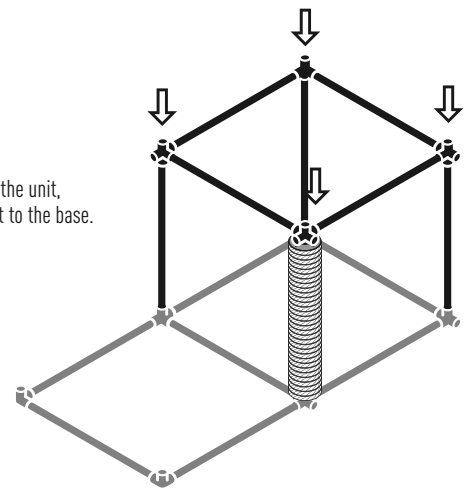
## 1b

To begin the 1st floor, you will need these pieces:

PARTS	NAME	QTY
4C	4-Way Corner	( 1 )
5C	5-Way Corner	( 2 )
6C	6-Way Corner	( 1 )
A35	Long Tube	( 4 )



Assemble the unit, then add it to the base.



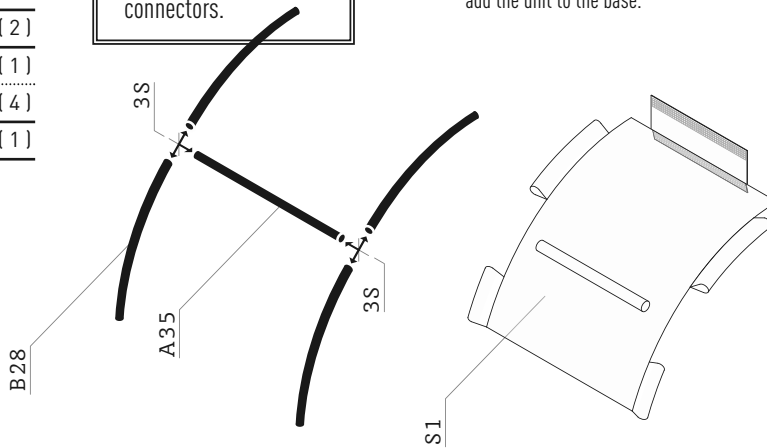
## 1c

To form the 1st floor **RAMP**, you will need these pieces:

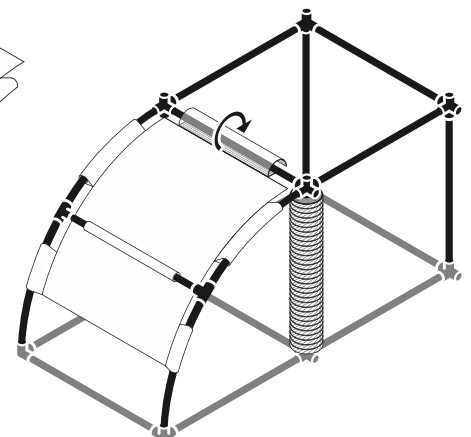
PARTS	NAME	QTY
3S	3-Way Straight	( 2 )
A35	Long Tube	( 1 )
B28	Short Curve	( 4 )
S1	Ramp	( 1 )

\* When building sections with fabric pieces, **insert tubes into the sleeves of the fabric first**, then add the connectors.

Assemble the ramp and then add the unit to the base.



Open the velcro sleeve along the top edge and secure it around the horizontal tube.



# 2a

To form the **BASE (pt.2)**, start with the **CORNER**. You will need these pieces:

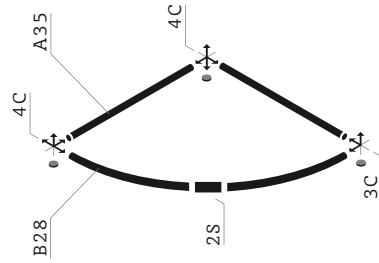
PARTS	NAME	QTY
2S	2-Way Straight	( 2 )
3C	3-Way Corner	( 1 )
4C	4-Way Corner	( 3 )
5C	5-Way Corner	( 1 )
A35	Long Tube	( 4 )
A1	Sisal Post	( 1 )
B28	Short Curve	( 4 )
E2	Corner	( 1 )
	Foam Pads	( 3 )



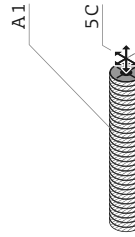
Start by assembling the curve.

Insert the tubes and connectors into the base of the corner panel fabric.

Add the self-adhesive foam pads.

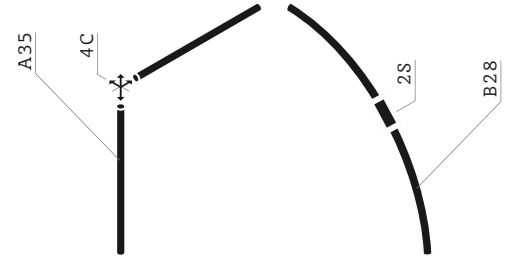


Next, add the sisal post on the inside of the corner.

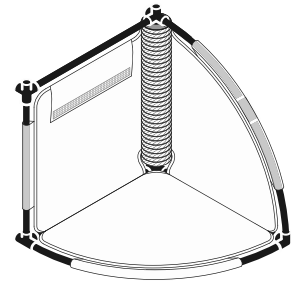
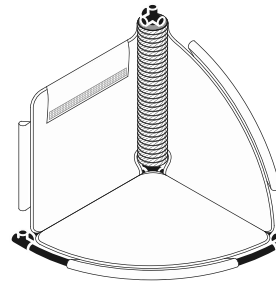
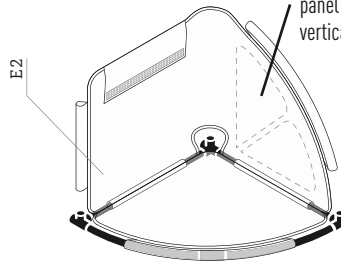


Assemble the curve first, then finish the corner by inserting the remaining tubes and connectors into the fabric.

Leave the velcro flap along the top edge loose for now.



NOTE: The stiff panel forms the vertical side wall

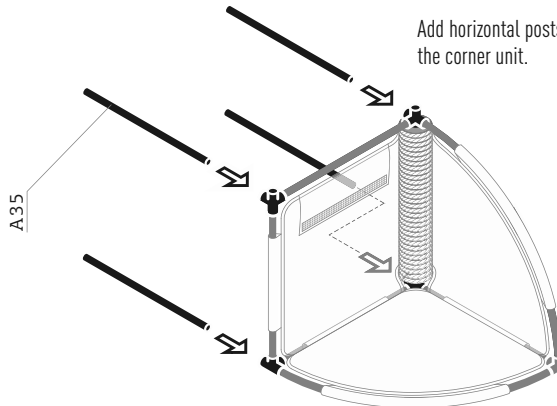


# 2b

To finish the **BASE (pt.2)**, add the **HIDEAWAY**. You will need these pieces:

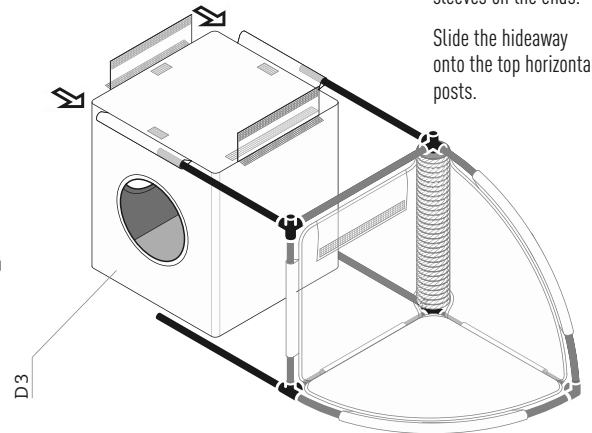
PARTS	NAME	QTY
A35	Long Tube	( 4 )
D3	Hideaway Den	( 1 )

Add horizontal posts to the corner unit.

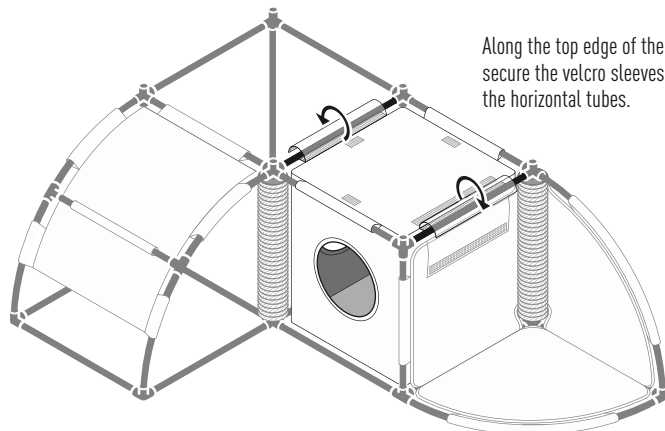


Open up the velcro sleeves on the ends.

Slide the hideaway onto the top horizontal posts.

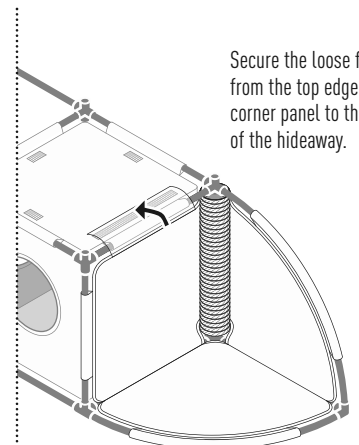


Add the assembled unit to the Base (pt.1).



Along the top edge of the hideaway, secure the velcro sleeves around the horizontal tubes.

Secure the loose flap from the top edge of the corner panel to the top of the hideaway.

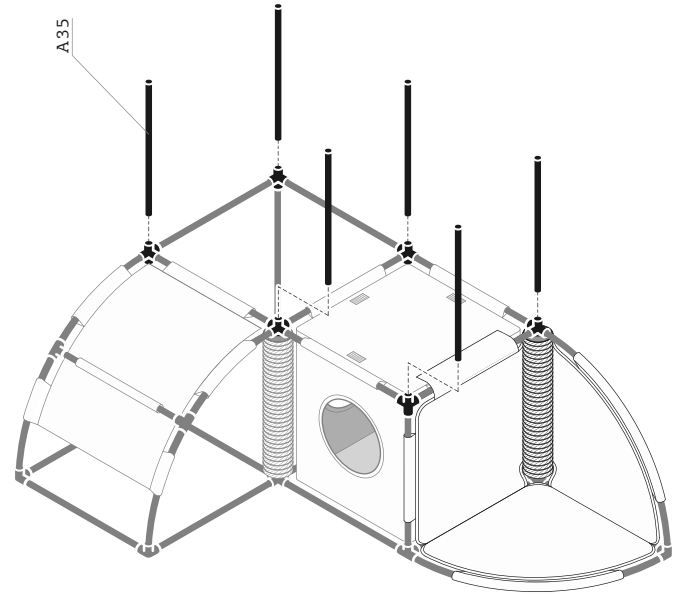


# 3a

To start the 2nd floor, you will need these pieces:

PARTS	NAME	QTY
A35	Long Tube	[ 6 ]

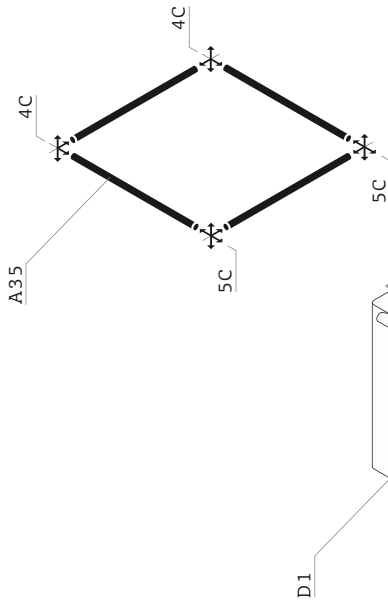
Add these vertical posts to the first floor as shown.



# 3b

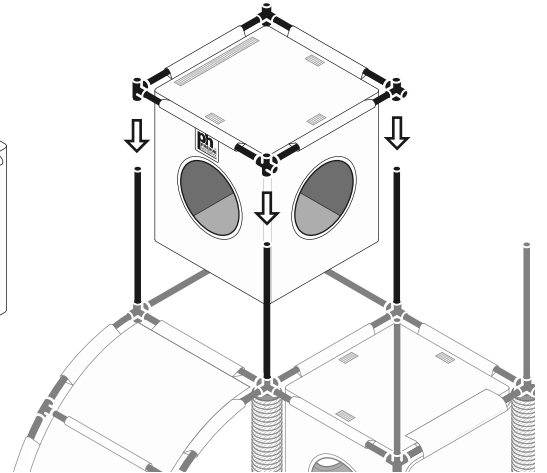
To form the 2nd floor HIDEAWAY, you will need these pieces:

PARTS	NAME	QTY
4C	4-Way Corner	[ 2 ]
5C	5-Way Corner	[ 2 ]
A35	Long Tube	[ 4 ]
D1	Hideaway Den	[ 1 ]



**\* REMINDER:** Insert tubes into the fabric first, then add connectors.

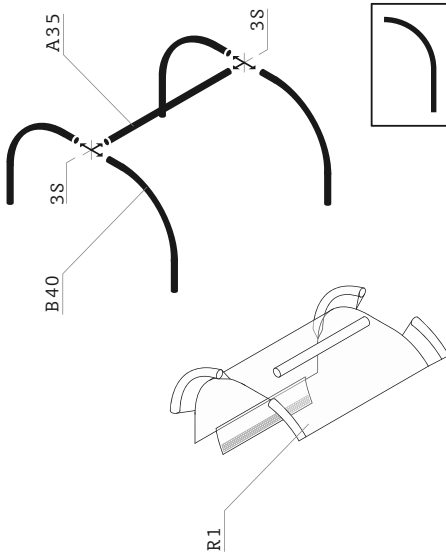
Insert the tubes into the sleeves, add the connectors and form the top of the hideaway. Add to the assembled unit.



# 3c

To form the ROOFTOP, you will need these pieces:

PARTS	NAME	QTY
3S	3-Way Straight	[ 2 ]
A35	Long Tube	[ 1 ]
B40	Long Curve	[ 4 ]
R1	Roof	[ 1 ]

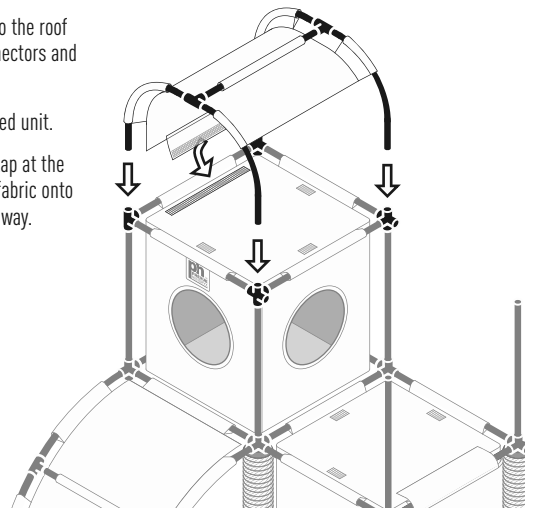


Orient the B40 curve tubes vertically. The longer portion creates the height of the roof.

Insert the tubes into the roof panel, add the connectors and form the rooftop.

Add to the assembled unit.

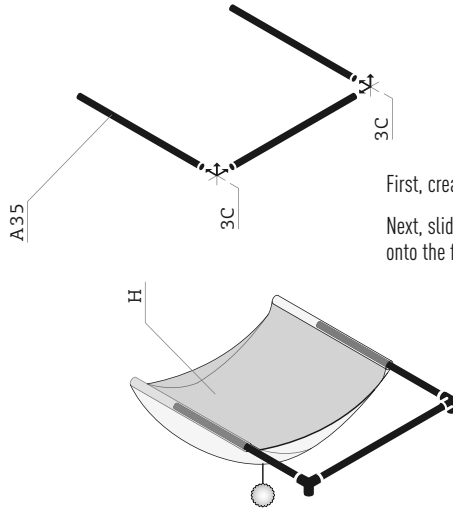
Secure the velcro flap at the bottom of the roof fabric onto the top of the hideaway.



# 3d

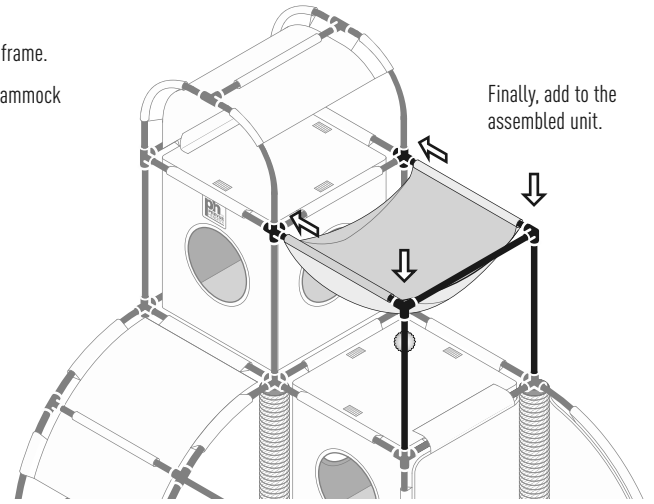
To form the **HAMMOCK**, you will need these pieces:

PARTS	NAME	QTY
3C	3-Way Corner	( 2 )
A35	Long Tube	( 3 )
H	Hammock	( 1 )



First, create the frame.

Next, slide the hammock onto the frame..

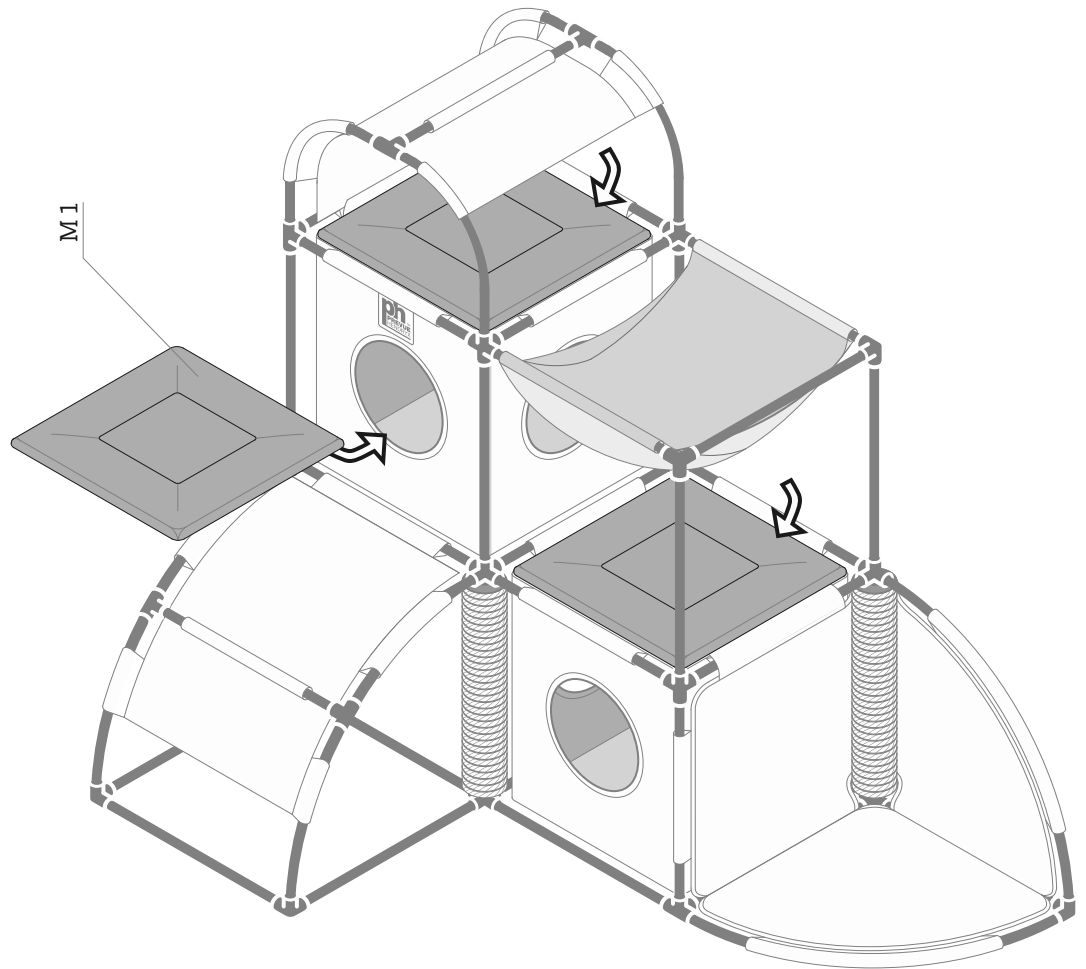


Finally, add to the assembled unit.

# 4

To finish, add **MATS** as shown:

PARTS	NAME	QTY
M1	Square Plush Mat	( 3 )



## CARE INSTRUCTIONS

- Do not immerse in water or place near high heat or open flame.
- Regularly check the stability of all connections of components.
- Spot clean fabric and frame with a moist towel. Allow to air dry thoroughly.
- Supervise pet interaction with the product. Inspect for wear. Replace when worn.