

CAGE STAND FOR 25×21 CAGE BASES

Model: # 2521S

Instructions online at www.prevuepet.com

read first REVIEW BEFORE ASSEMBLY

- **TOOLS:** A small adjustable wrench (not included) is required
- For best results, follow the Steps in the order they are presented

For assistance or replacement parts, please contact Prevue Pet Products:

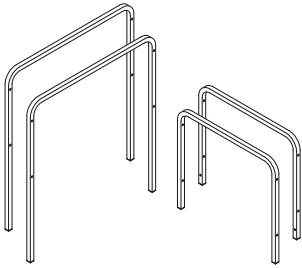
PHONE 312.243.3624

ONLINE www.prevuepet.com

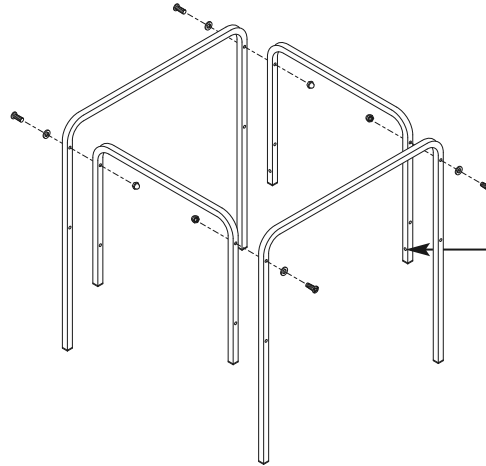
EMAIL customerservice@prevuepet.com

1 To assemble the **FRAME**, you will need these pieces:

 × 4 sets




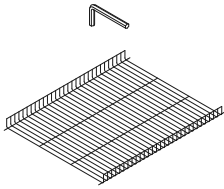
Start with the **UPPER** holes first. Attach the frame legs together with the **washer** and **bolt** on the outside and the **nut** on the inside.



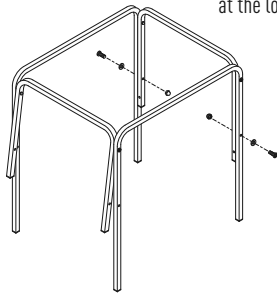
NOTE: Holes on lower legs of the short frame rails face the stand's interior.

2 To add the **STORAGE SHELF**, you will need these pieces:

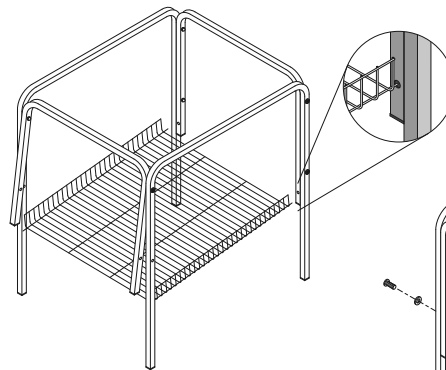
 × 4 sets



Start at one end. Attach the leg frame rails together at the lower holes.

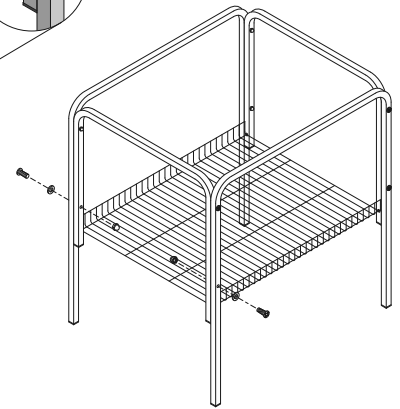


Insert the extended horizontal wires of the storage shelf into the holes on the short frame legs.

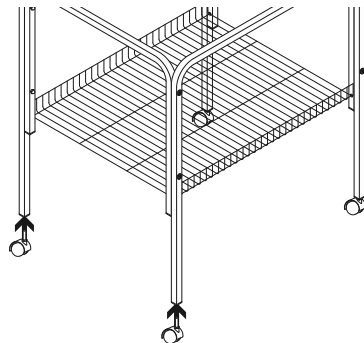
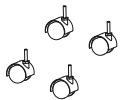


Finish by attaching the leg frame rails together on the other end.

Go back over all bolt/nut connections again and tighten snugly for a stable base.



3 To install the **CASTERS**, you will need these pieces:



Fully insert the post of the casters into the holes in the base of all four frame legs.

