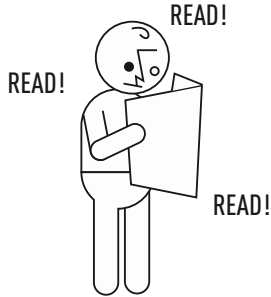


1

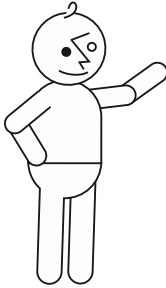


READ THESE INSTRUCTIONS!

Follow the enclosed Assembly Steps for a successful outcome. If you still have questions, we're here to help. Please contact our Prevue Customer Service team via email at :

customerservice@prevuepet.com

2



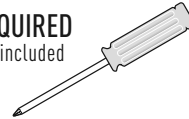
HELPFUL TOOLS

A hex key tool is included. You will need a small **Phillips** or **flathead screwdriver** (not included) for attaching the handles to the trays. You may find a small **adjustable wrench** (not included) useful when assembling the seed guards.

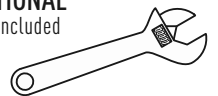
INCLUDED



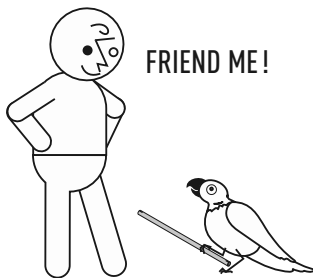
REQUIRED
not included



OPTIONAL
not included



3

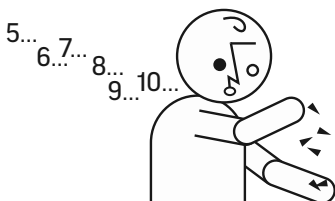


GO IT ALONE or FIND A FRIEND

By following these steps in the order presented, most will find the assembly of this cage easy for one person. Some may find a second person's assistance helpful in some areas. If you're unsure, ask a friend to assist!

4

EASY AS 1-2-3!



REVIEW ALL PARTS & HARDWARE

After unpacking, review all parts and hardware and compare all components against the Parts List.

Please contact Prevue if any problems or issues arise.

5



CARE FOR BIRDS

CAGE PLACEMENT

Place the cage away from drafts and drafty areas and away from harsh or direct sun. Keep the cage away from strong fumes and odors.

ACTIVITY TOYS

Activity toys are vital for maintaining a bird's mental and physical well-being. Select a variety of toys to meet different instinctual activities — foraging & engagement, preening & pacification, physical & mental, and sound & movement.

Regularly rotate new and familiar toys through the cage. Do not overcrowd the cage environment. Periodically supervise birds at play and inspect toys for replenishment or replacement.

Prevue offers a wide range of activity toys in all shapes, textures and colors for birds of all sizes.

ACCESSORIES

Add or upgrade accessories to promote well-being:

- add variable-shape perches for foot health
- use cage covers to quiet and calm birds at night
- add cuttlebones and mineral blocks for beak and nail grooming

More ideas and useful accessories for birds and their cage environment can be found at www.prevuepet.com.

TRAVEL CARRIERS

Always keep an appropriate-size travel carrier on hand for emergencies, travel or for temporary housing when cleaning the cage. Prevue has several carrier styles available — from softcase to steel.

PREVUE PET PRODUCTS

PHONE 1 (312) 243-3624

ONLINE www.prevuepet.com

EMAIL customerservice@prevuepet.com

For more wonderful cages,
toys, and accessories for birds,
cats, chickens, rabbits, ferrets,
dogs and small animals, visit
www.prevuepet.com





Playtop Home PARTS LIST

Instructions online at www.prevuepet.com

CUSTOMER SUPPORT

For assistance or replacement parts, please contact Prevue Pet Products:

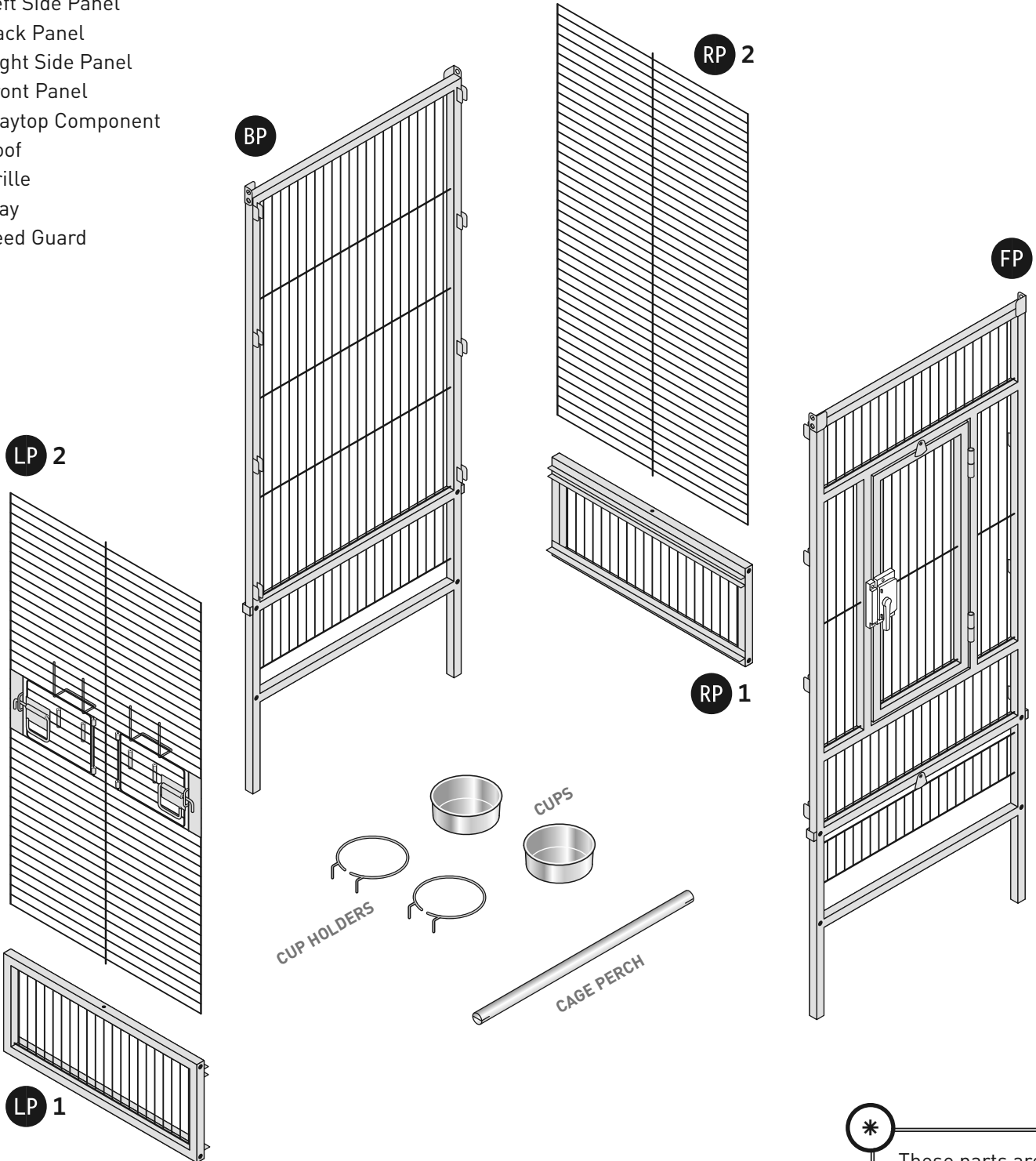
PHONE 1 (312) 243-3624

ONLINE www.prevuepet.com

EMAIL customerservice@prevuepet.com

KEY:

- LP = Left Side Panel
- BP = Back Panel
- RP = Right Side Panel
- FP = Front Panel
- PT = Playtop Component
- R = Roof
- G = Grille
- T = Tray
- SG = Seed Guard



*
These parts are interchangeable:

LP 2 = RP 2
LP 1 = RP 1



Playtop Home PARTS LIST

Instructions online at www.prevuepet.com

CUSTOMER SUPPORT

For assistance or replacement parts, please contact Prevue Pet Products:

PHONE 1 (312) 243-3624

ONLINE www.prevuepet.com

EMAIL customerservice@prevuepet.com

HARDWARE & TOOLS:

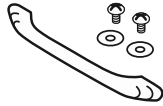
Hex screw
16 pieces



Hex screw +
nut • 8 pair



Handle + washer
+ screw • 2 sets



Caster •
4 pieces

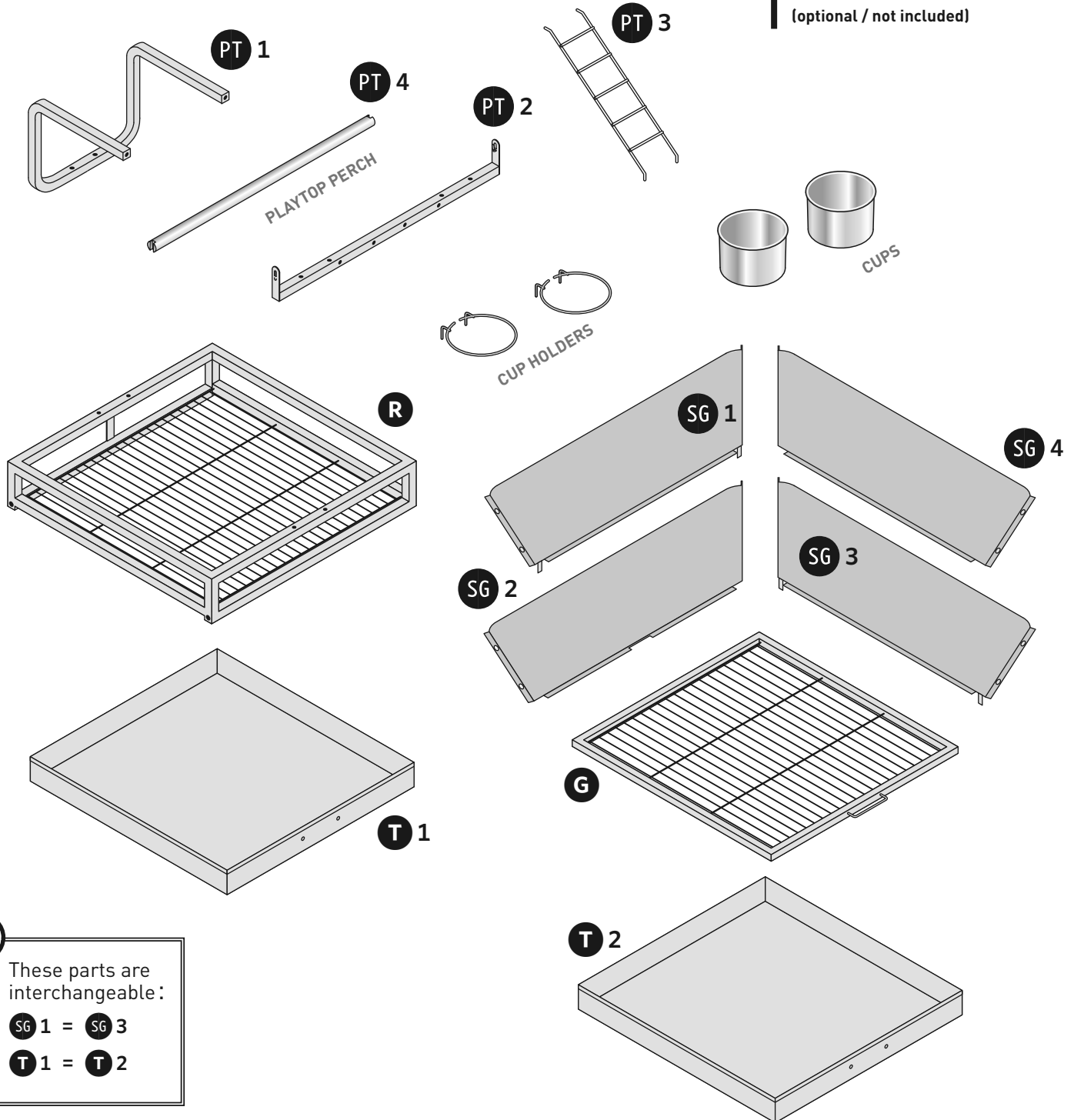


Hex Key (included)



Small Phillips or
Flathead Screwdriver
(required / not included)

Crescent wrench
(optional / not included)



*
These parts are interchangeable:

SG 1 = SG 3
T 1 = T 2



Playtop Home ASSEMBLY

Instructions online at www.prevuepet.com

CUSTOMER SUPPORT

For assistance or replacement parts, please contact Prevue Pet Products:

PHONE 1 (312) 243-3624

ONLINE www.prevuepet.com

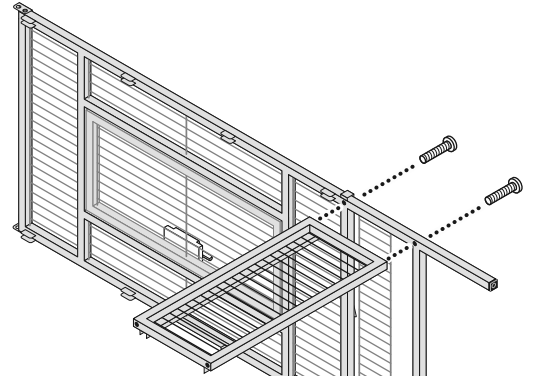
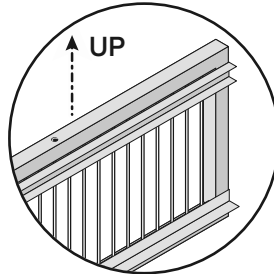
EMAIL customerservice@prevuepet.com

TOOLS: Small Phillips or Flathead Screwdriver (required/not included) • Crescent Wrench (optional/not included) • For best results, follow Steps in order.

KEY:

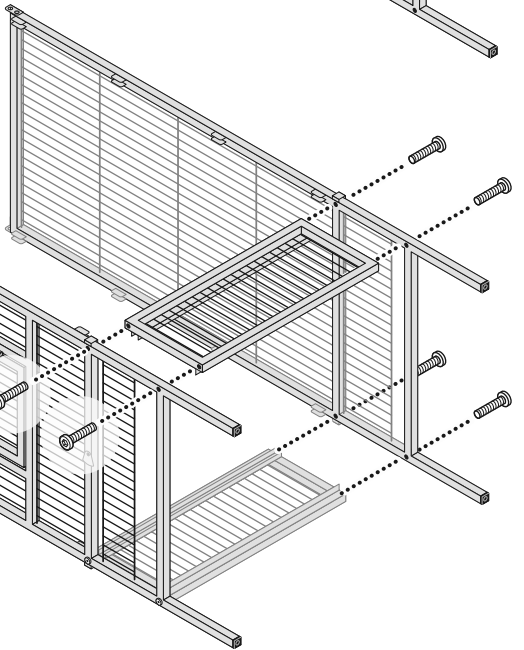
- FP = Front Panel
- BP = Back Panel
- LP = Left Side Panel
- RP = Right Side Panel
- PT = Playtop Component
- R = Roof
- G = Grille
- T = Tray
- SG = Seed Guard

Orient the lower side panels with the hole in the horizontal frame surface and the in-side grille channel at the top.



Lay the front panel on its side and attach the lower left side panel with long hex screws.

Flip the assembled unit over and attach the lower right side panel, and back panel with long hex screws.

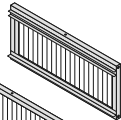


1 PIECES

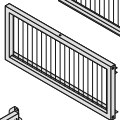


RP 1

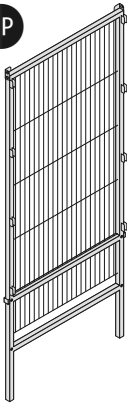
interchangeable



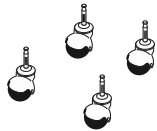
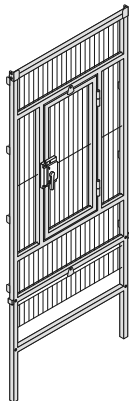
LP 1



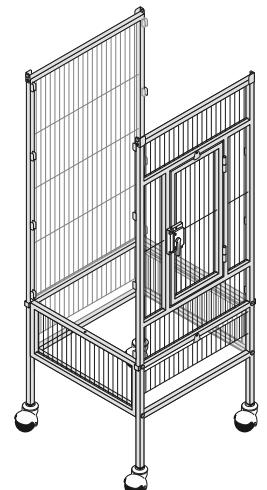
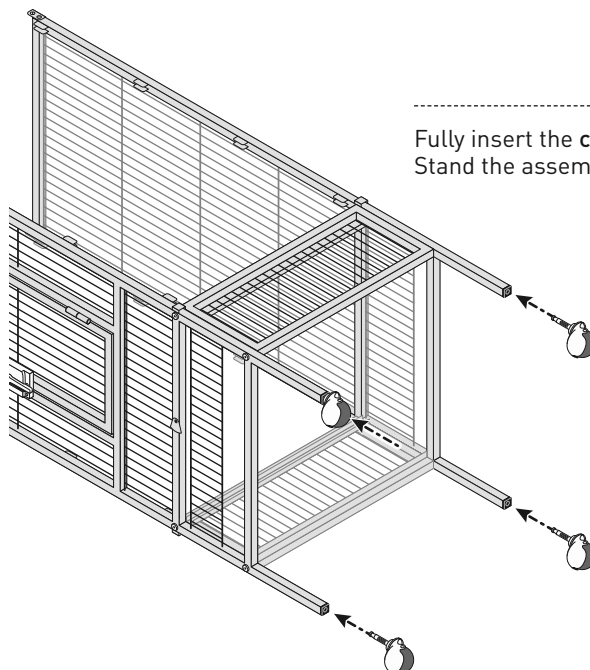
BP



FP



Fully insert the casters into the frame legs. Stand the assembled unit upright.

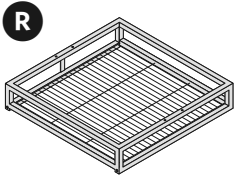
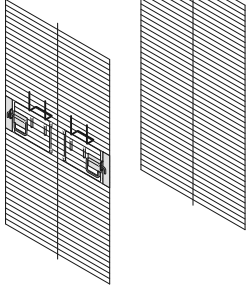


2 PIECES

LP 2

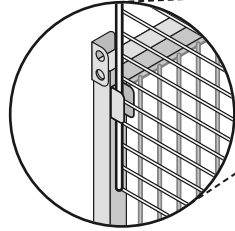
RP 2

interchangeable

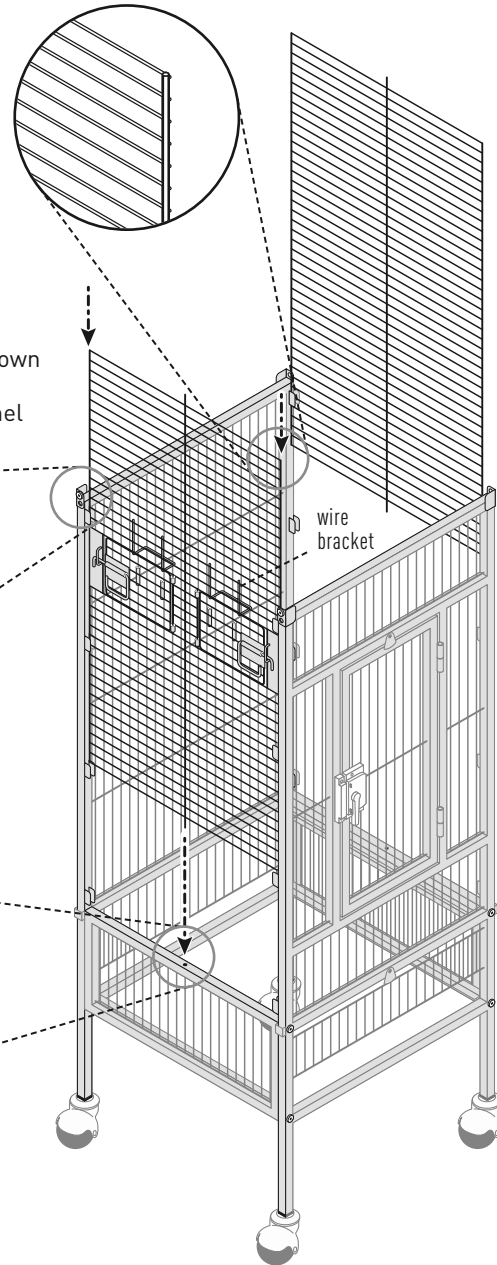
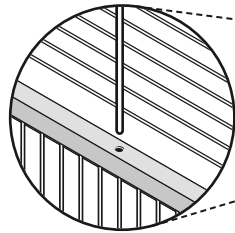


Orient the upper side panels so that the thick, vertical wires are facing the exterior.
The panel with the cup doors can be inserted on the left or right side. Make sure to orient the panel so that the wire brackets on the interior are above the cup door.

Slide the upper side panels down through the brackets on the frame. Make certain each panel stays within all brackets.



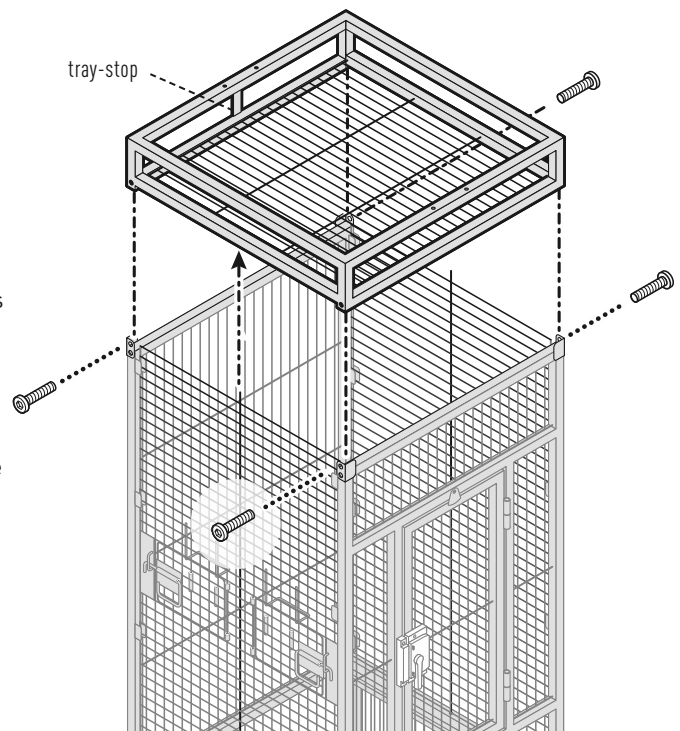
At the base, insert the extended vertical wire into the corresponding hole in the frame.



Orient the roof with the tray-stop at the back.

Set the roof in place. Align the extended wires on the side panels with the corresponding holes on the underside of the roof frame.

Attach the roof to the corner brackets with the long hex screws.



3 PIECES

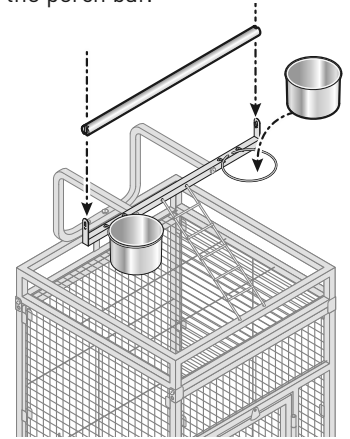
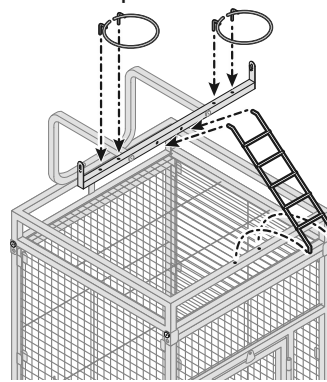
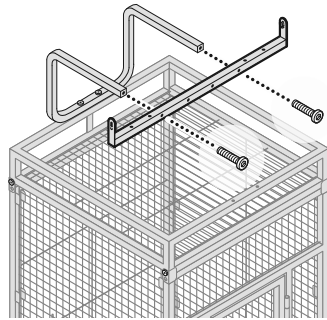
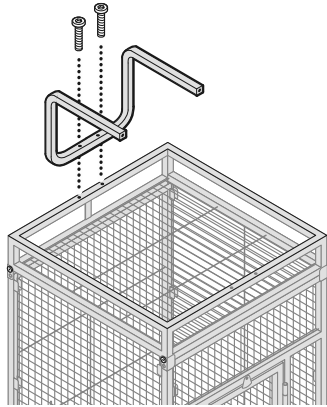


Attach the **support bar** to the frame with long hex screws.

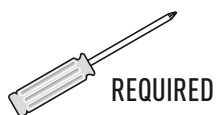
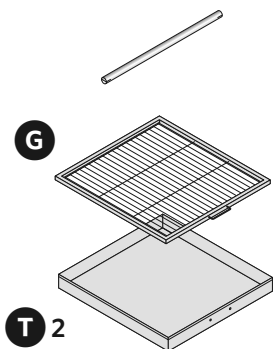
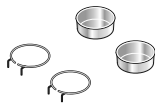
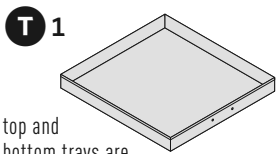
Attach the **perch bar** to the support bar with long hex screws.

Insert the **ladder**: first, insert the top posts, then guide the lower half into the corresponding holes on the frame.

Add the **cups** into the holders. Insert the **playtop perch** onto the perch bar.

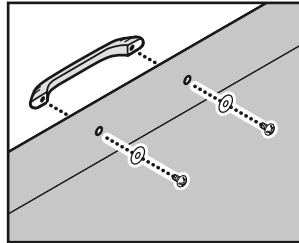


4 PIECES

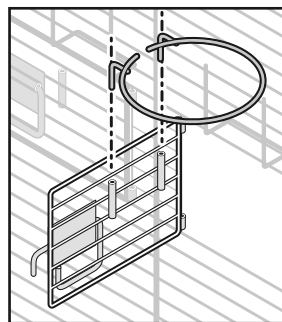


PREASSEMBLE

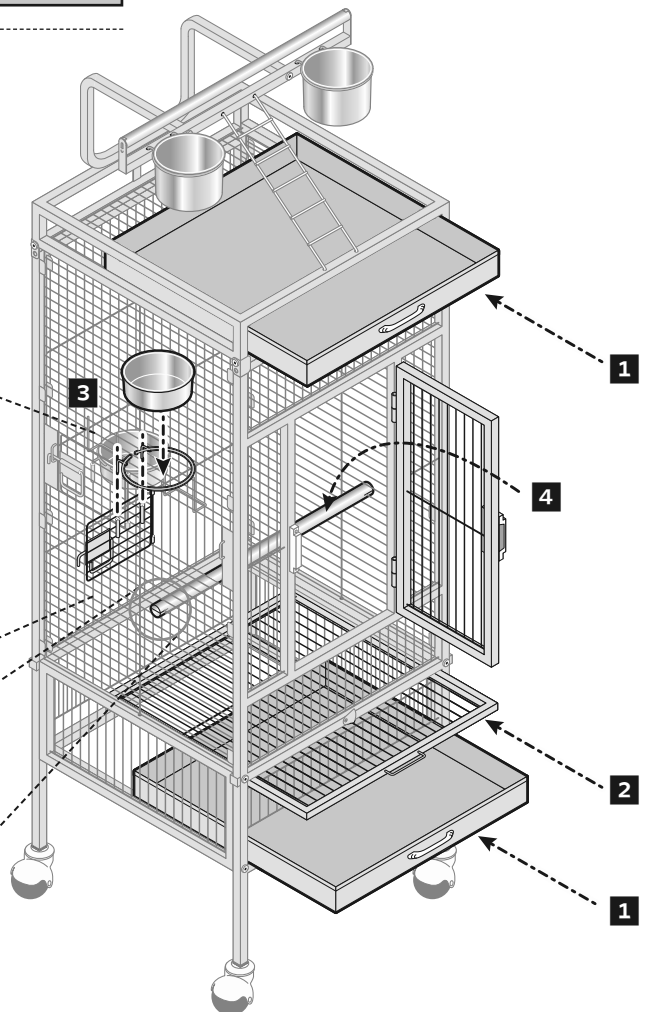
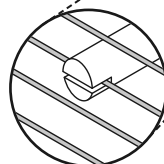
Attach the **handles** to the trays with the washers and small screws.



- 1 Slide the **trays**—with handles installed—into the playtop frame and the cage base.
- 2 Hold the windbell lock up and insert the **grille** into the opening above the tray.
- 3 Insert the **cup holders** into the corresponding sleeves on the doors. Insert the **cups** into the holders and close the doors.

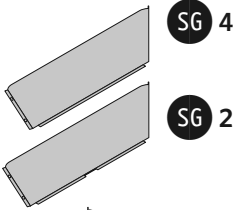


- 4 Install the **cage perch** on horizontal wires of an equal height.



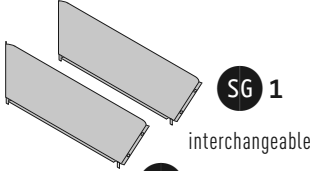
5 PIECES

x 8 pair



SG 4

SG 2



SG 1

interchangeable

SG 3

OPTIONAL



Simplify your **seed guard** assembly by assembling three sides of your seed guards on the floor:

Start with the guards upside down:

- SG 1, with the tabs pointing up
- SG 2, with the notch

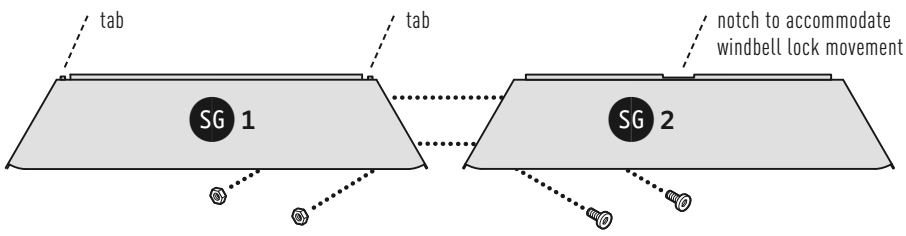
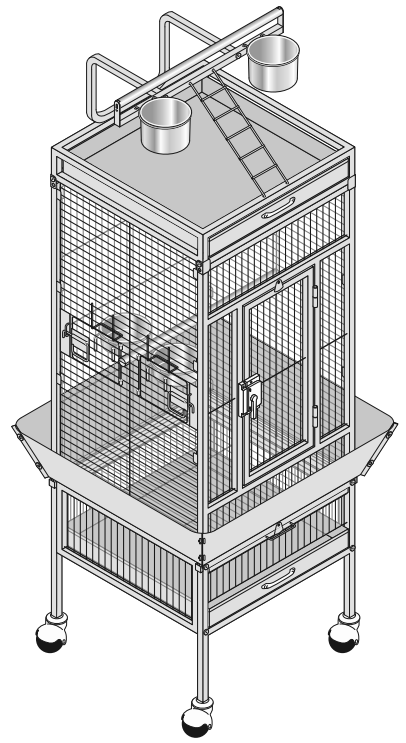
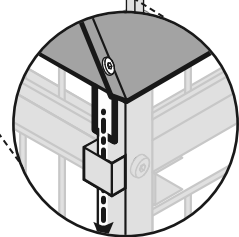
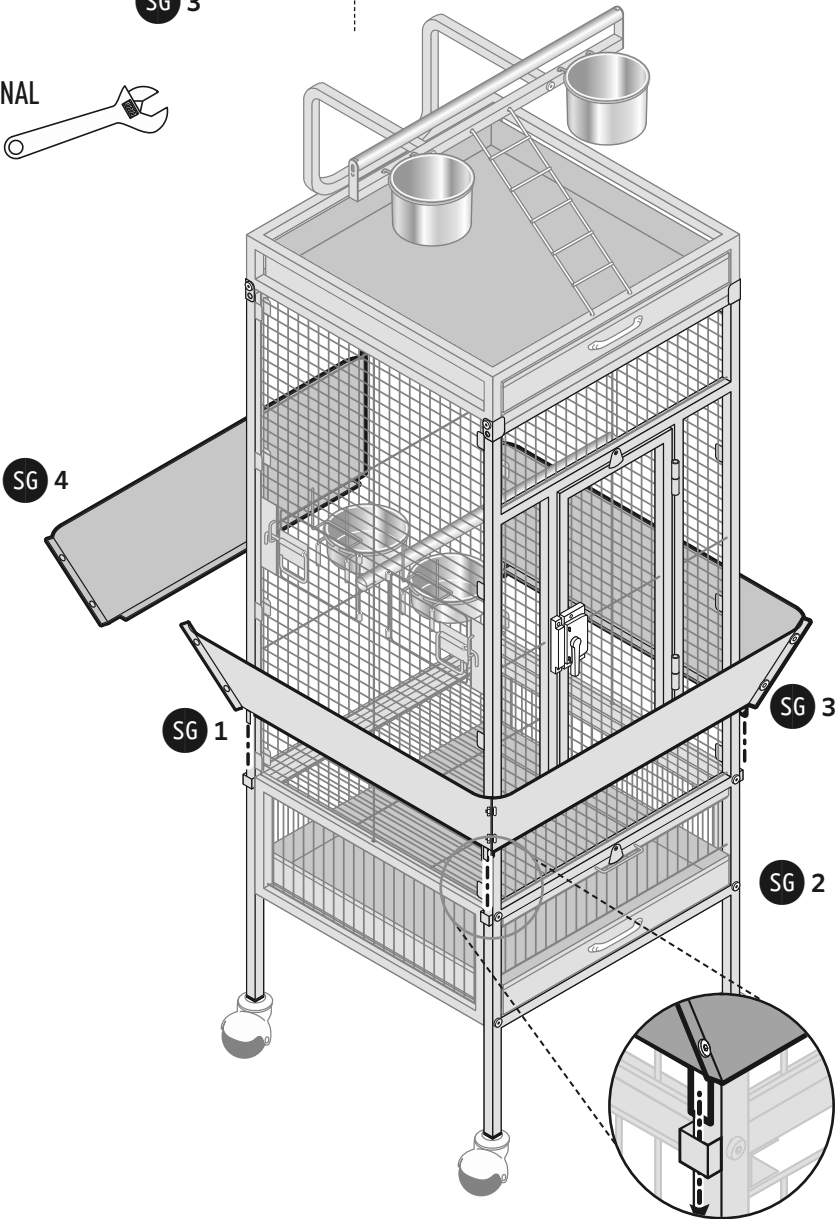
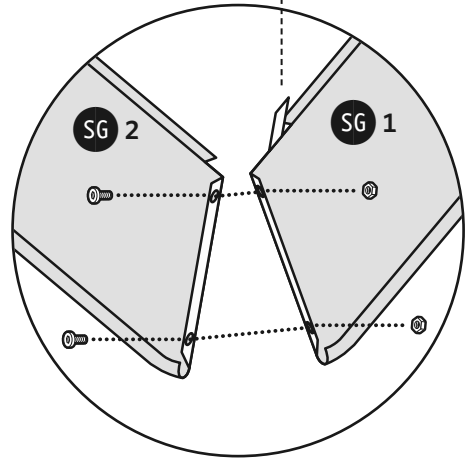
Attach the two together with the hex screw/nut pairs.

Add SG 3 (with tabs) to the other end of SG 2.

Take the assembled unit to the cage and insert the tabs into the sleeves on the frame.

Attach the remaining seed guard to the open end.

* Seed guards 1 and 3 have tabs along the bottom edge.



Assembly completed. ■