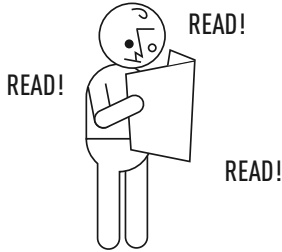


Follow this flight path

1

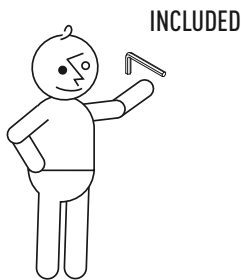


READ THESE INSTRUCTIONS!

Assembly for the #F035 or #F036 Aviary cages are the same. The only difference is the size and dimension of parts.

These assembly steps have been compiled to lead you to a successful assembly. If you still have questions, please call our Prevue Customer Service line at 1 (312) 243-3624.

2

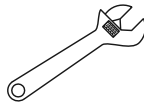


HELPFUL TOOLS

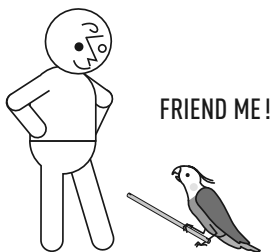
An allen wrench is included with the hardware.

You will need a small **adjustable wrench** for the roof assembly.

NEEDED



3

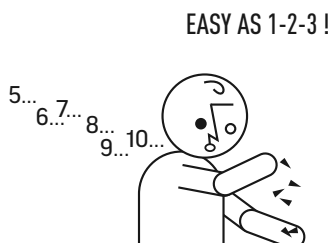


FIND A FRIEND (or GO IT ALONE—both are OK)

If you follow these steps, cage assembly will be easy for one person. But you may find a second person's assistance useful in some steps. Look for this symbol:



4



REVIEW ALL PARTS & HARDWARE

After unpacking all components, review all parts and count the contents of the screw packets and compare the quantities against the Hardware List on the Parts List page.

Please contact Prevue if any problems or issues arise.

Follow this flight path

5



CARE FOR BIRDS

CAGE PLACEMENT

Place the cage away from drafts and drafty areas and out of harsh or direct sun. Keep the cage away from strong fumes and odors.

ACTIVITY TOYS

Activity toys are vital for maintaining a bird's mental and physical health. Select a variety of toys to meet different instinctual activities—foraging, grooming, movement, sound, discovery, and more. Regularly rotate new and familiar toys through the cage. Do not overcrowd the cage environment. Periodically supervise birds at play and inspect toys for replacement or replenishment.

ACCESSORIES

Add or upgrade accessories to promote health and happiness. Add variable-shape perches. Include cozy corners for warmth. Use cage covers to quiet and calm birds at night or at high-traffic times.

TRAVEL CARRIERS

Always keep an appropriate size travel carrier on hand for travel, emergencies or temporary housing when cleaning the cage.

CUSTOMER SUPPORT

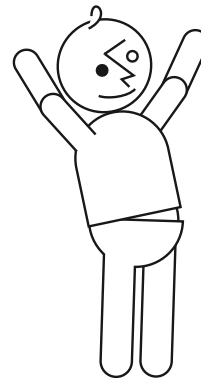
Please contact Prevue Pet Products:

PHONE 1 (312) 243-3624

ONLINE www.prevuepet.com

EMAIL customerservice@prevuepet.com

These instructions are online, under the item's detail listing at www.prevuepet.com.



For more wonderful cages, toys,
and accessories for dogs, cats, birds,
chickens, rabbits, ferrets and small
animals, visit www.prevuepet.com



MODEL #F035/#F036 CHARMING AVIARY

PARTS LIST

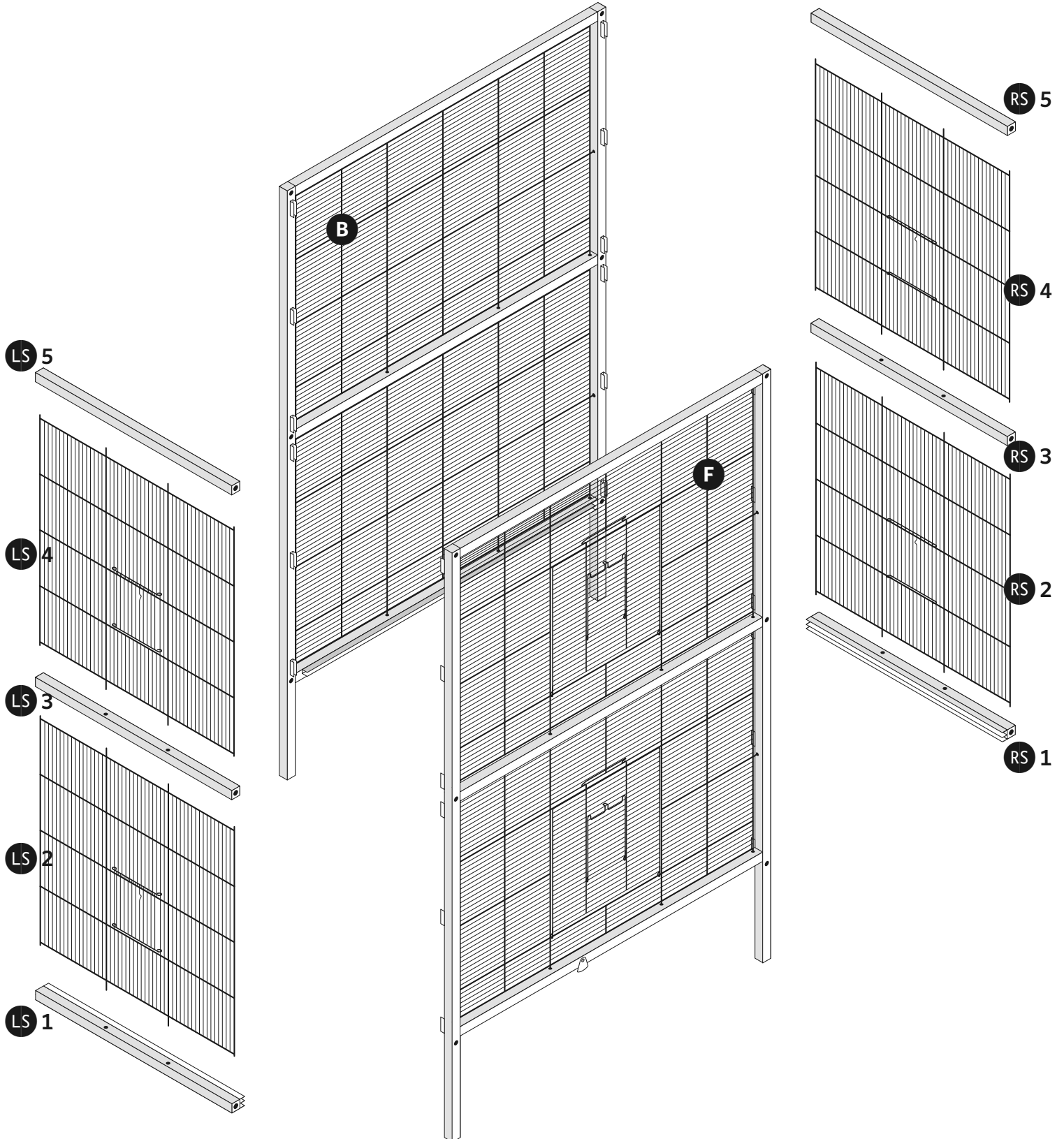
CUSTOMER SUPPORT

Please contact Prevue Pet Products:

PHONE 1 (312) 243-3624

ONLINE www.prevuepet.com

EMAIL customerservice@prevuepet.com





MODEL #F035/#F036 CHARMING AVIARY

PARTS LIST

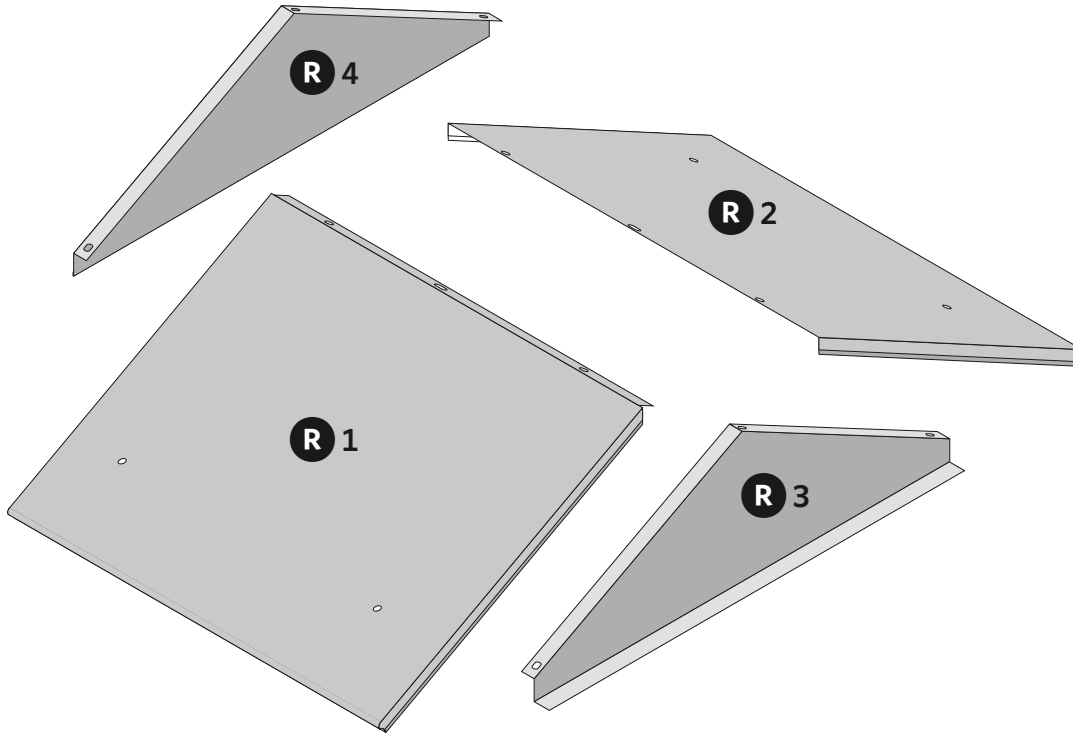
CUSTOMER SUPPORT

Please contact Prevue Pet Products:

PHONE 1 (312) 243-3624

ONLINE www.prevuepet.com

EMAIL customerservice@prevuepet.com



HARDWARE INCLUDED:



Long Screws
12 pcs +1

(Step 1 & Step 2)



Short Screws
with Nuts
7 pairs +1

(Step 4)

KEY:

R = Roof Pieces

F = Front Panel

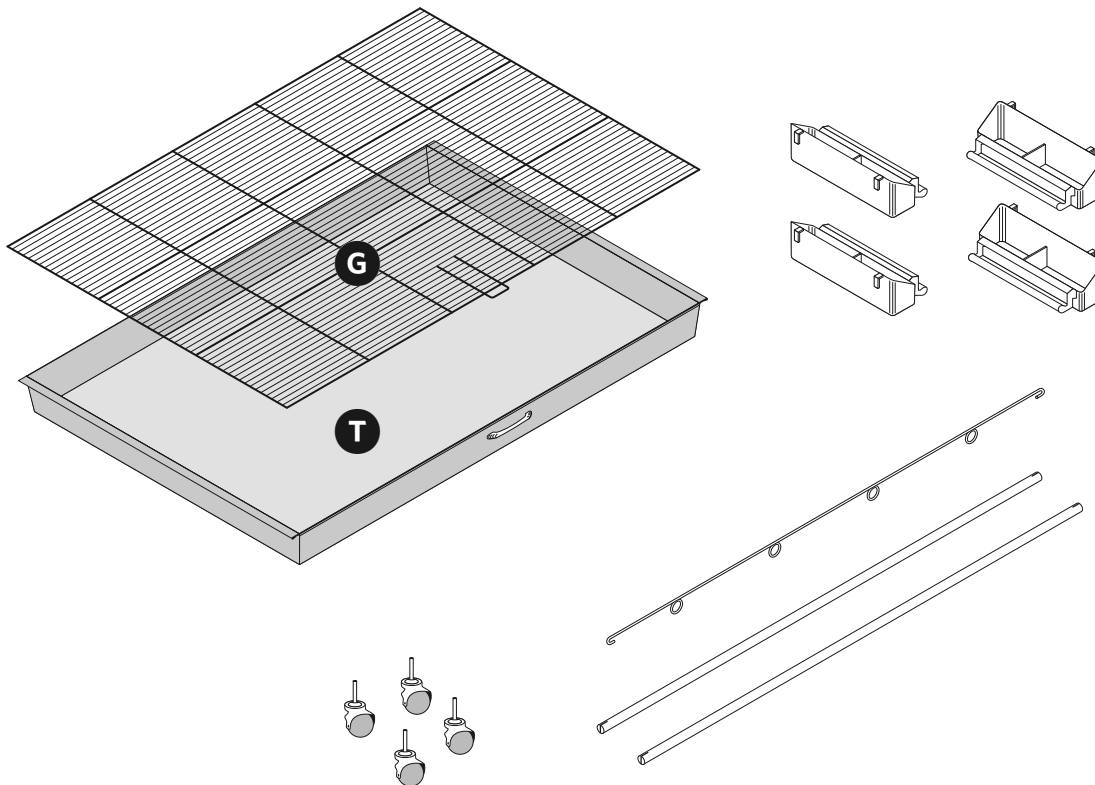
B = Back Panel

LS = Left SIDE Pieces

RS = Right SIDE Pieces

G = Grille

T = Tray



Charming Aviary

Models: #F035 (Large) / #F036 (Extra-Large)

Instructions online at www.prevuepet.com

CUSTOMER SUPPORT

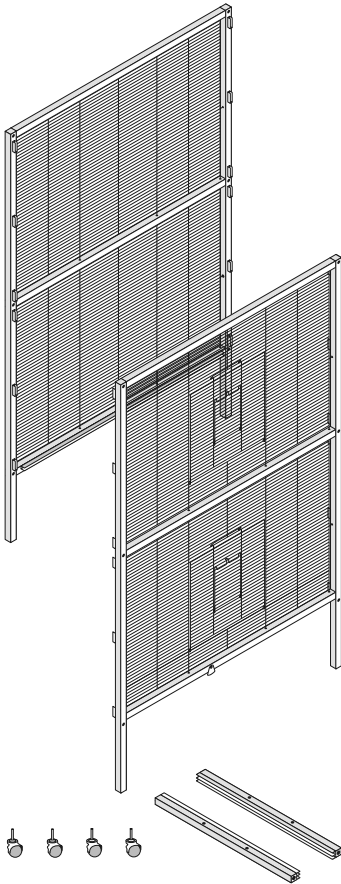
Please contact Prevue Pet Products:

PHONE 1 (312) 243-3624

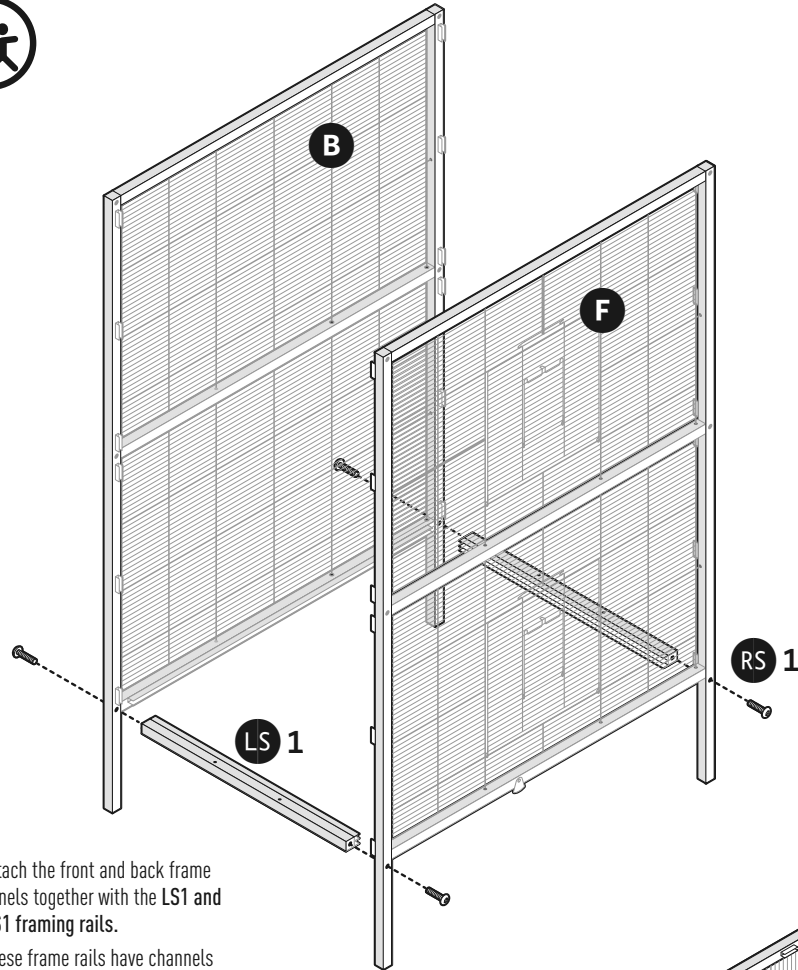
ONLINE www.prevuepet.com

EMAIL customerservice@prevuepet.com

1 Assemble the CAGE FRAME. You will need these pieces:



[4] LONG

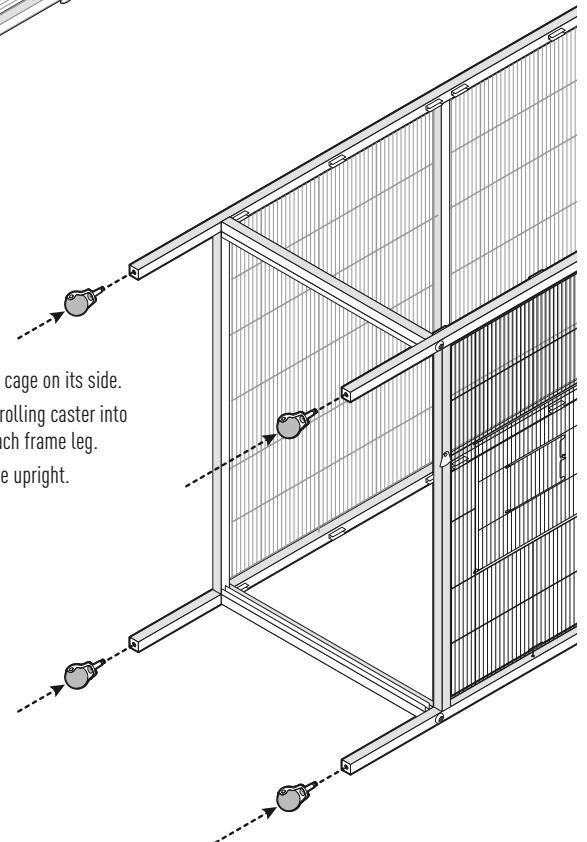


Attach the front and back frame panels together with the LS1 and RS1 framing rails.

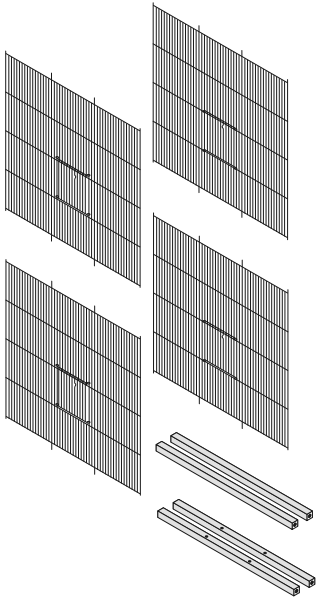
These frame rails have channels to hold the grille and tray. Orient the rails with the channels facing the interior of the cage and the two small holes facing up.

Secure the rails in place with long screws.

Gently lay the cage on its side.
Fully insert a rolling caster into the base of each frame leg.
Stand the cage upright.



2 Assemble the cage **SIDES**. You will need these pieces:



 [8] LONG

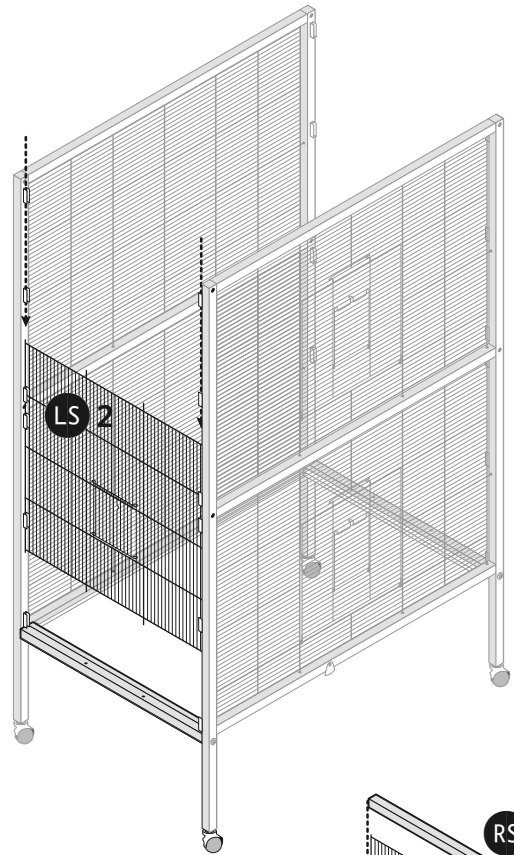
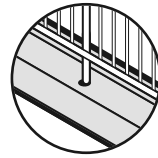
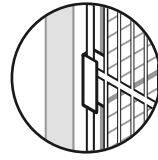


Guide the **LS2** side panel into place down through the brackets.

Make sure the panel is oriented so that the cup door can be operated from the exterior.

Make sure the panel is centered in all brackets on both sides.

At the base of the panel, insert the extended center wires into the holes on the frame rail.

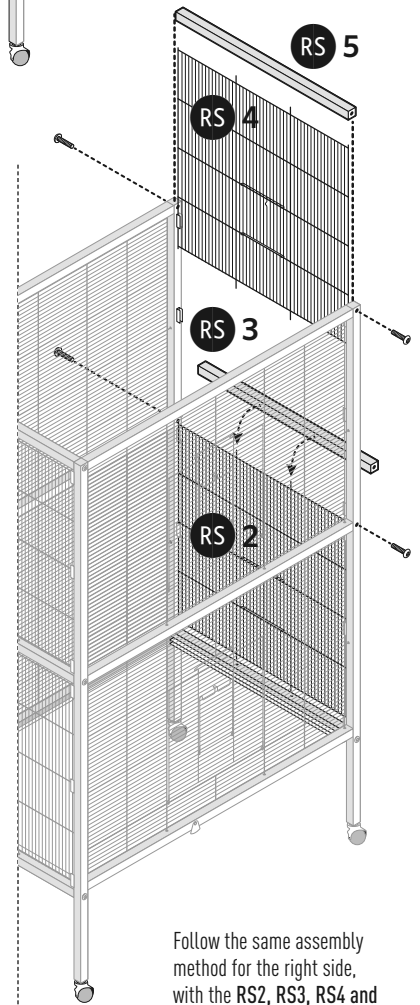
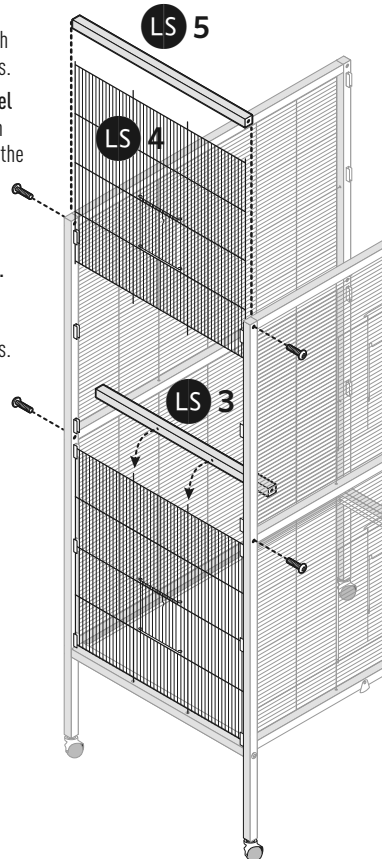


The **LS3** frame rail has small holes along the top and bottom surfaces.

Insert the extended center wires into the holes on the frame rail and attach the rail with long screws.

Guide the **LS4** side panel into place down through the brackets and insert the extended wires into the holes on the frame rail.

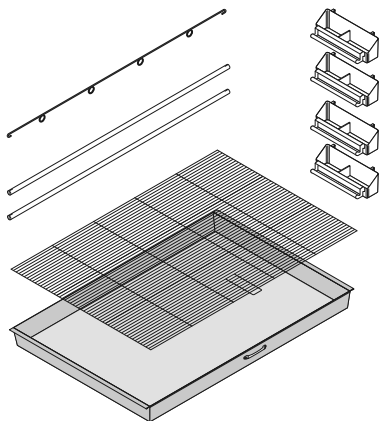
Cap the **LS4** side panel with the **LS5** frame rail. Align the holes with the extended wires; attach the rail with long screws.



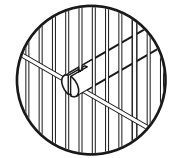
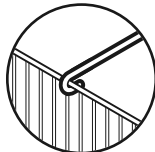
Follow the same assembly method for the right side, with the **RS2**, **RS3**, **RS4** and **RS5** panels and frame rails.

3

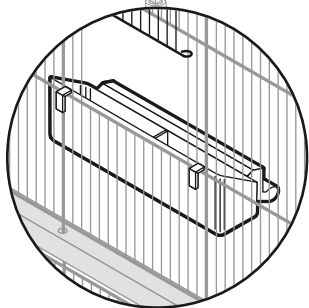
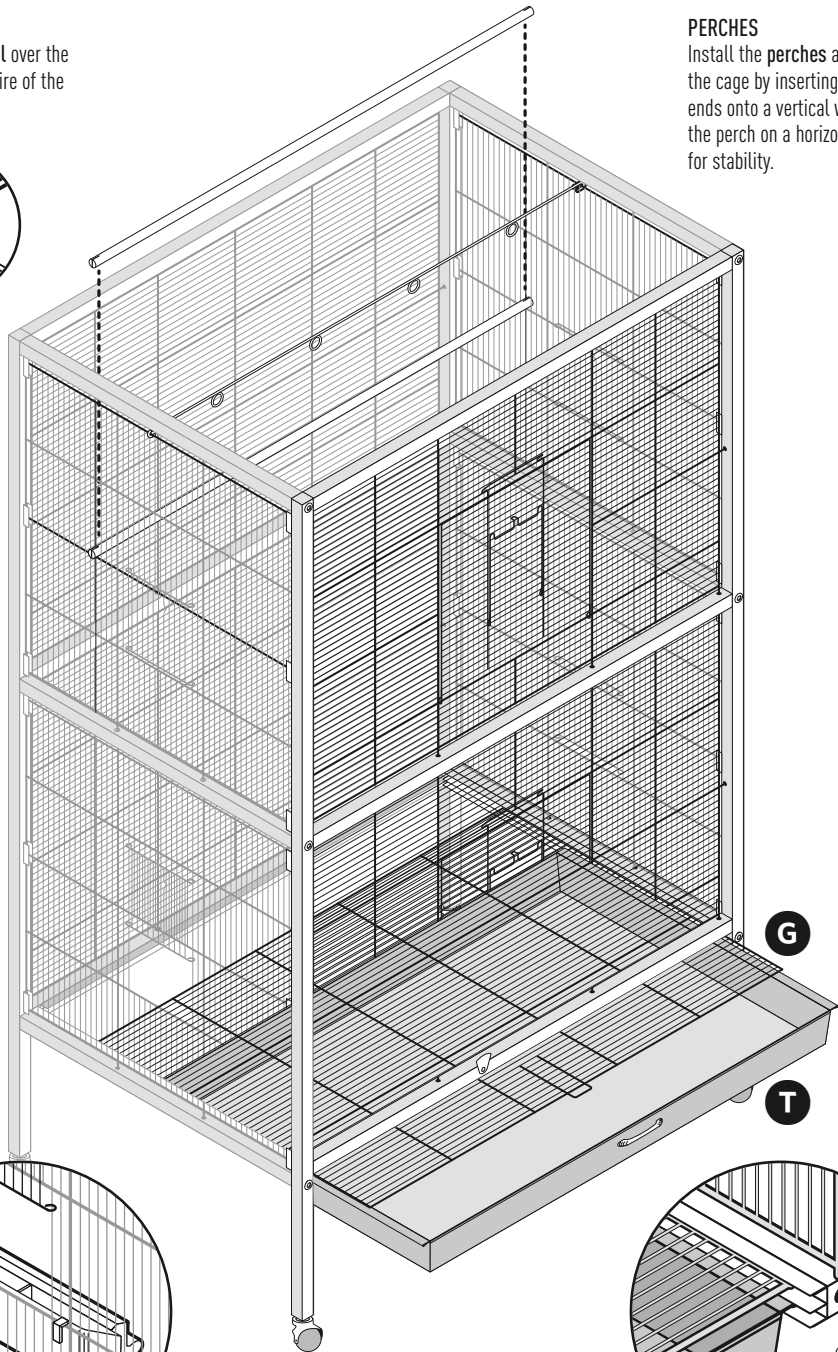
Install the **ACCESSORIES**.
You will need these pieces:



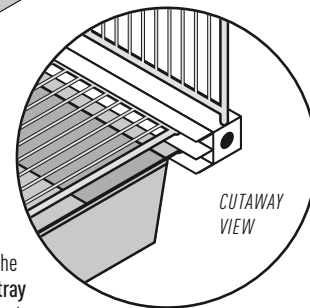
TOY RAIL
Hook the **toy rail** over the top horizontal wire of the side panels.



PERCHES
Install the **perches** anywhere in the cage by inserting the slotted ends onto a vertical wire. Rest the perch on a horizontal wire for stability.

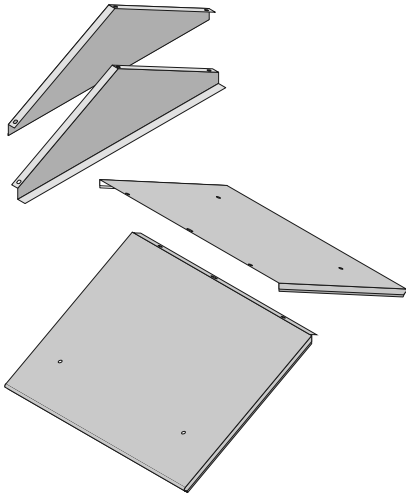


FOOD/WATER CUPS
Slide the cup door open and hook the **cups** onto the horizontal wire at the base of the opening.

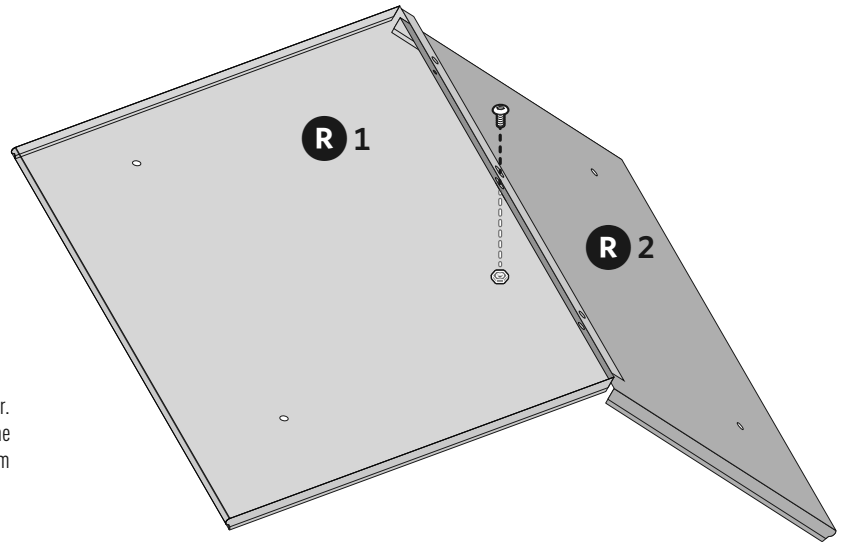
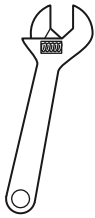


GRILLE & TRAY
Slide the **grille** into the top channel and the **tray** into the bottom channel.

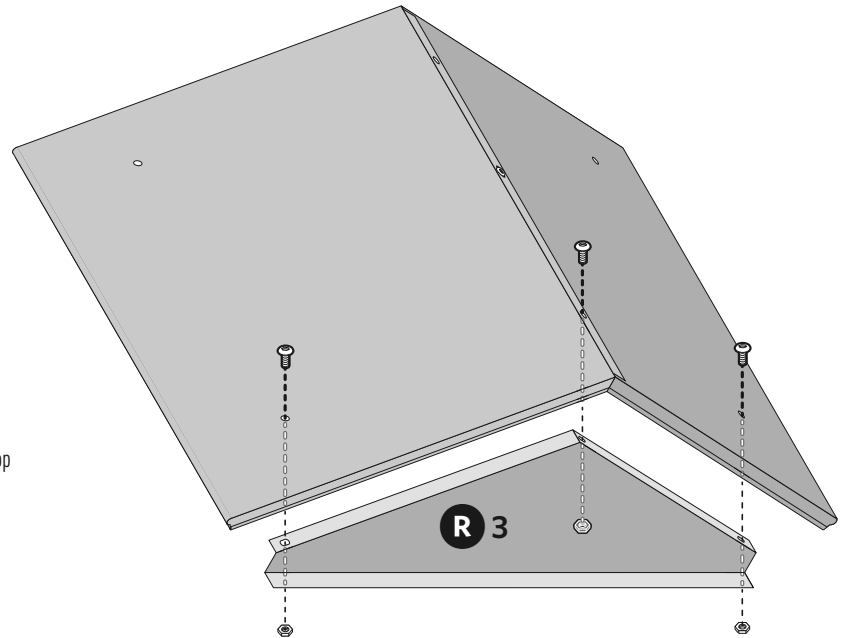
4 Assemble the **ROOF**. You will need these pieces:



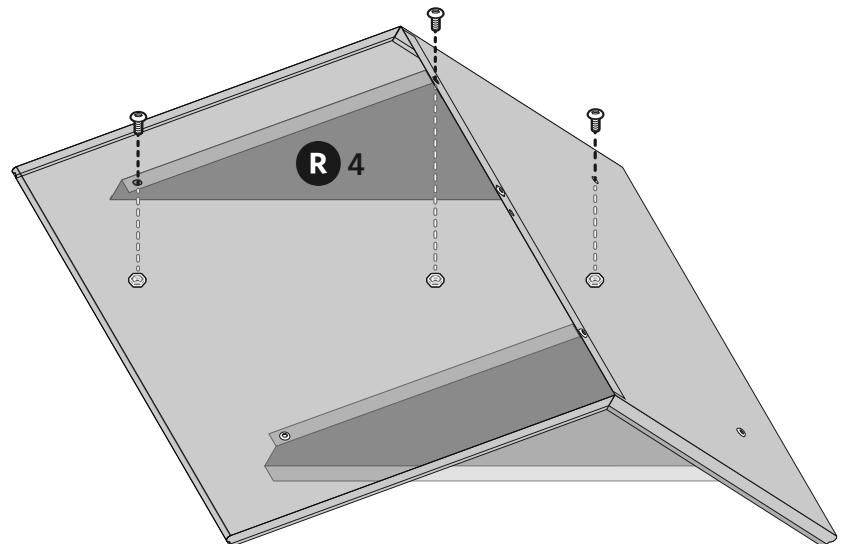
[7] SHORT with Nuts



Overlap the R2 roof panel with the R1 roof panel.
Align the holes at the center.
Insert a short screw from the top, and tighten the nut from the underside.



Attach the R3 roof brace.
Make sure the top horizontal flaps are oriented toward the interior/center, and the lower horizontal flap is facing the exterior/outer edge.
Align the holes and attach with short screws from the top and nuts from the underside.

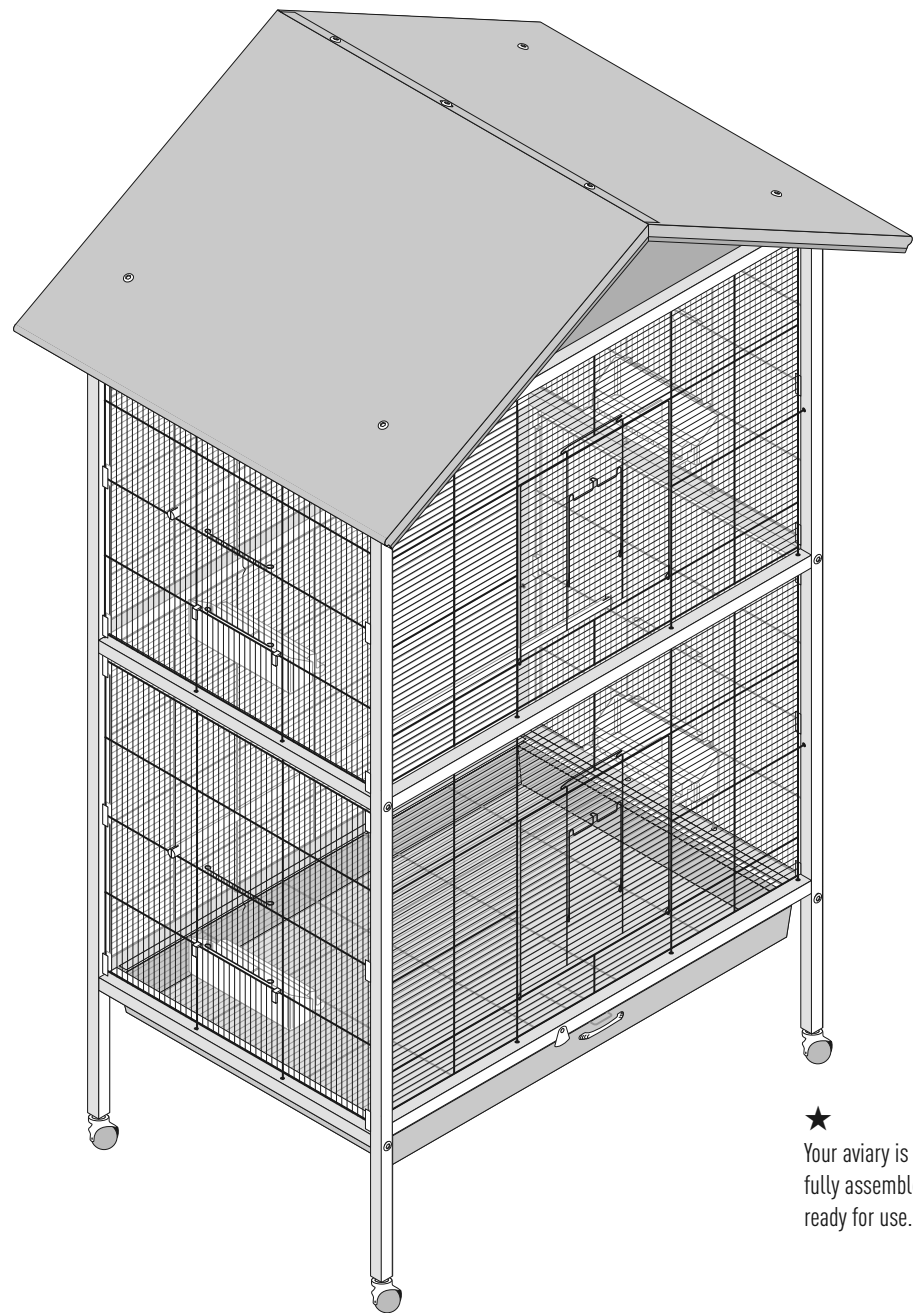
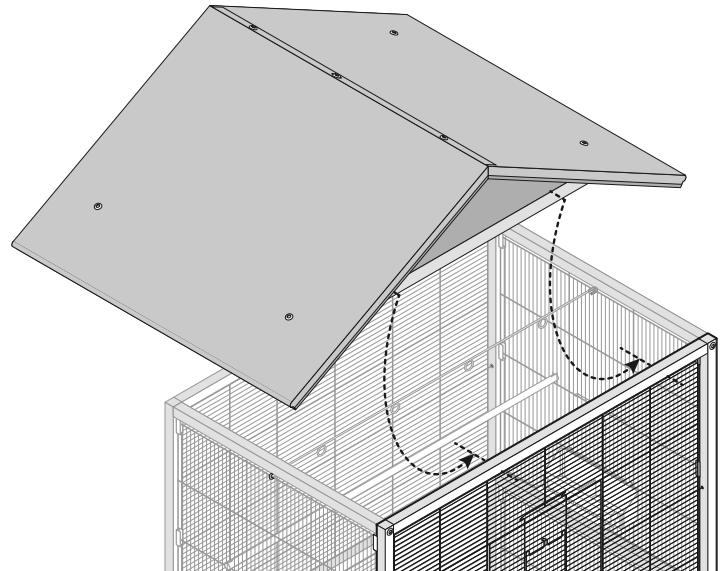


Follow the same method to attach the R4 roof brace.
Make sure the top horizontal flaps are oriented toward the interior/center.

4 ...continued

Tip the assembled roof into position by catching the lower horizontal flap on the R3 roof brace under the front panel frame rail.

On the back end, the vertical panel will slip straight down into place on the interior side of the frame.



★
Your aviary is now fully assembled and ready for use.