

# Hollywood Chair

Kitty Power Paws Model: #7382

Instructions online at [www.prevuepet.com](http://www.prevuepet.com)

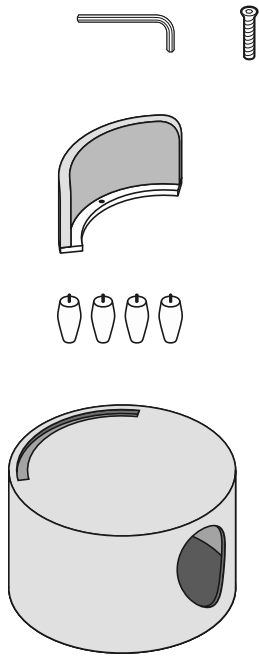
## read first REVIEW BEFORE ASSEMBLY

- **TOOLS:** Allen wrench is included. No other tools are necessary.

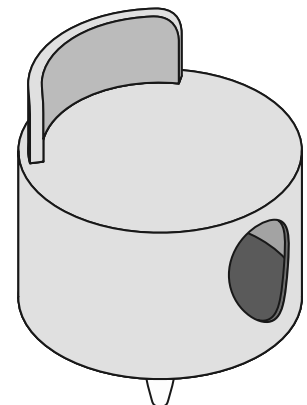
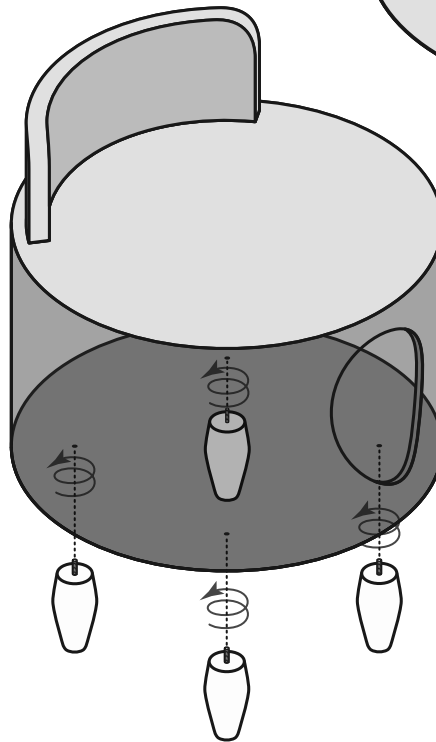
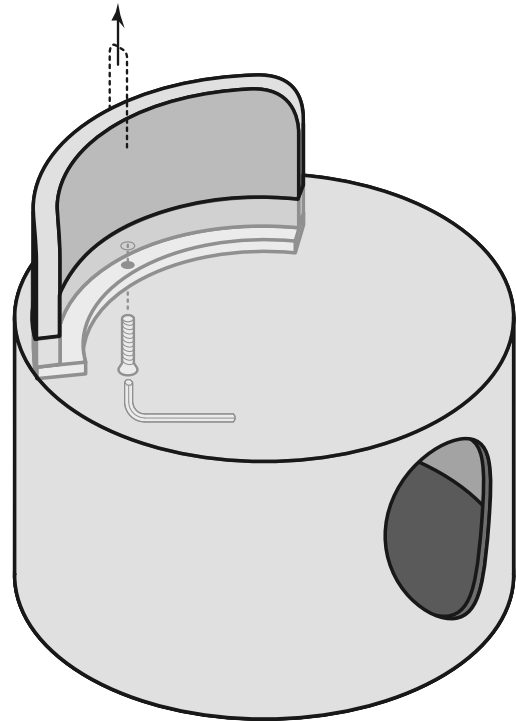
For assistance or replacement, please contact Prevue:

**PHONE** 1 (312) 243-3624  
**ONLINE** [www.prevuepet.com](http://www.prevuepet.com)  
**EMAIL** [customerservice@prevuepet.com](mailto:customerservice@prevuepet.com)

## 1 PIECES



Tighten the screw snugly to create a solid seatback.



Assembly completed. ■



### CARE

- Use hand vacuum for spot cleaning
- Lightly use pet-safe cleaners — test first on hidden area — do not saturate with cleaners or immerse in water
- Air dry thoroughly before use