

Party Tower

Kitty Power Paws Model: #7310

Instructions online at www.prevuepet.com

read first

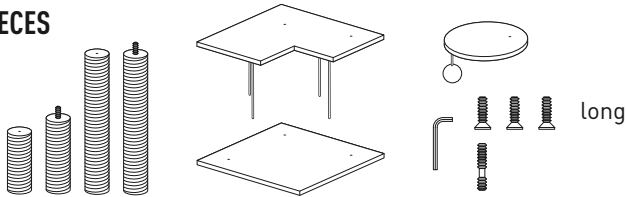
REVIEW BEFORE ASSEMBLY

- TOOLS: Allen wrench is included. No other tools are necessary.

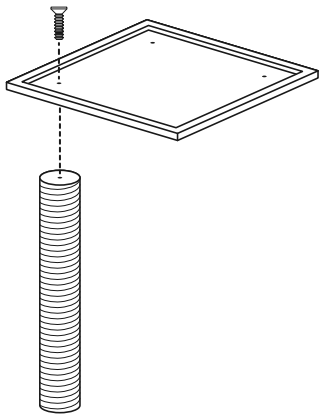
For assistance or replacement, please contact Prevue:

PHONE 1 (312) 243-3624
ONLINE www.prevuepet.com
EMAIL customerservice@prevuepet.com

1 PIECES

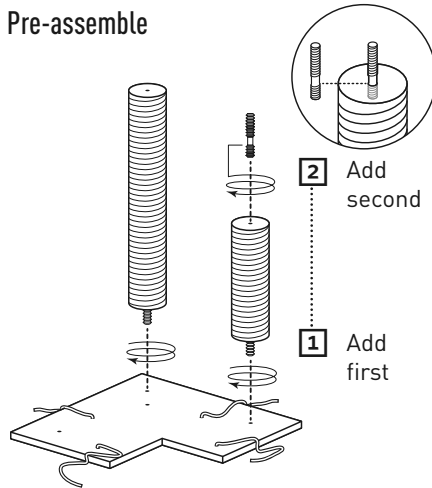


Pre-assemble

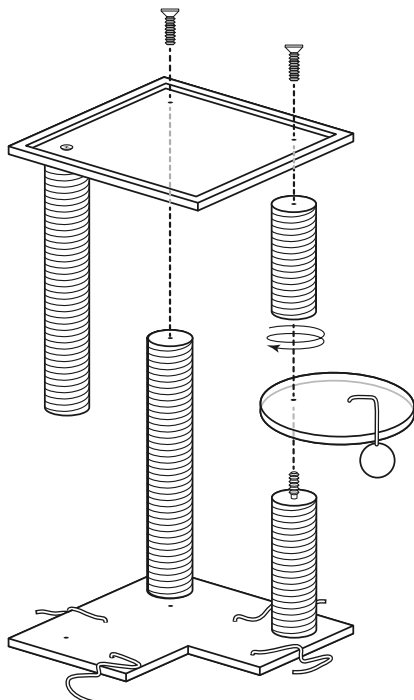


Turn the base platform upside down, then attach the scratching post.

Pre-assemble



Turn the notched platform upside down, then add the scratching posts.

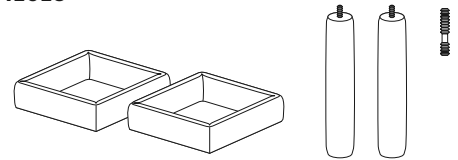


DO THIS SECOND :
Add the pre-assembled unit.

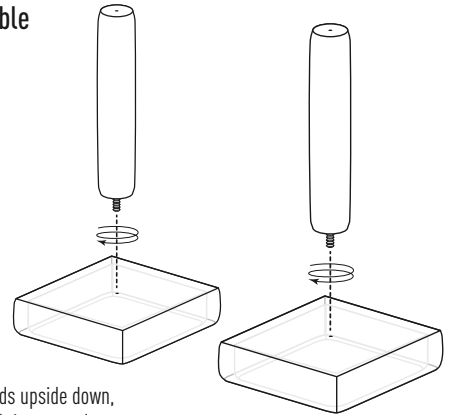
After both parts are assembled together as one unit, carefully turn entire piece right-side up. ↗

DO THIS FIRST :
Turn the round platform upside down, place it onto the screw post, then add the shortest scratching post.

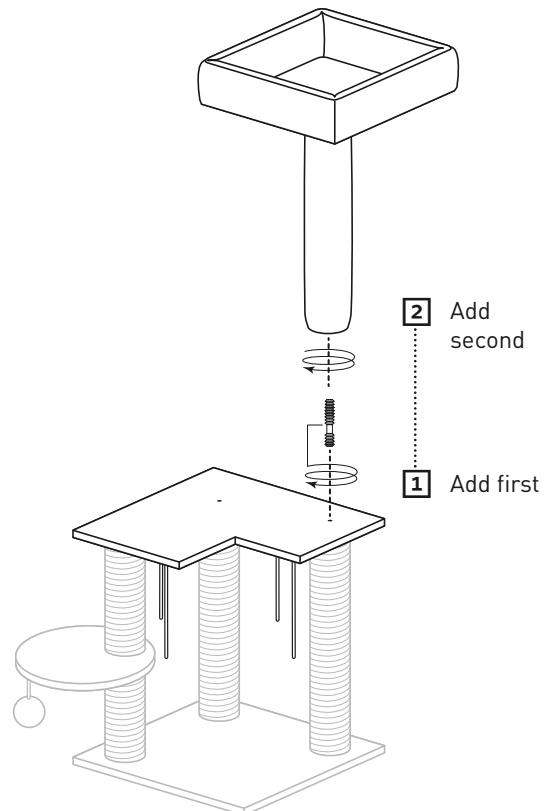
2 PIECES



Pre-assemble



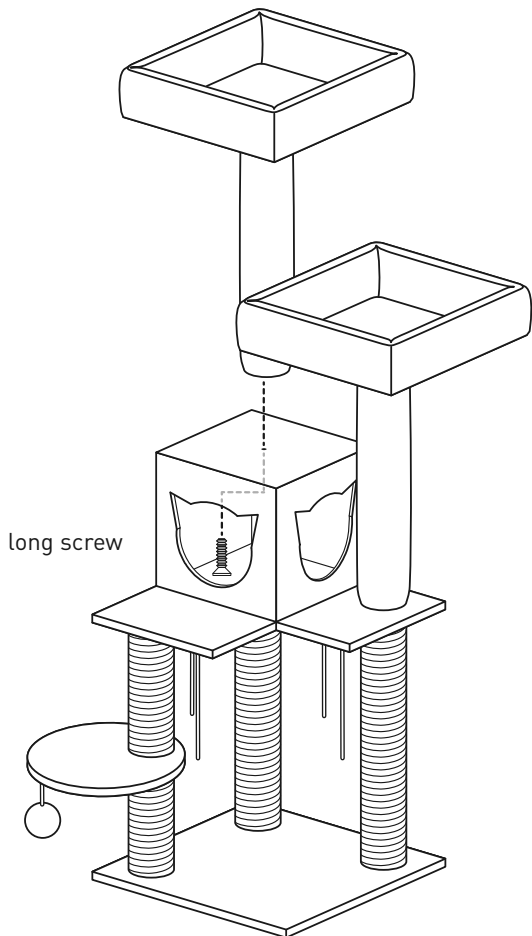
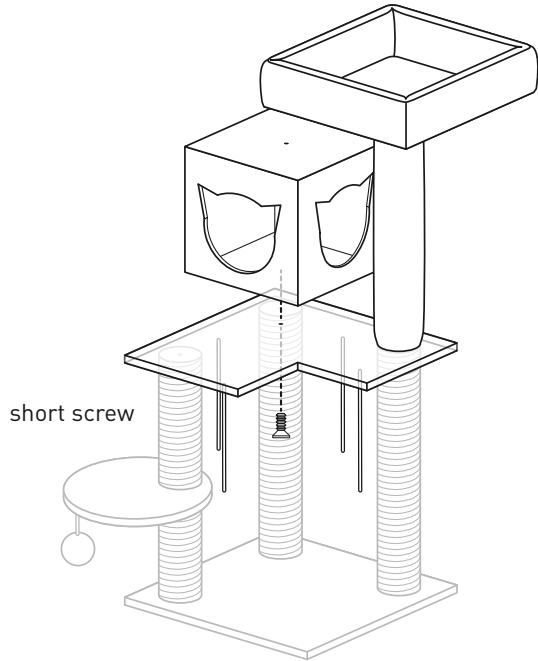
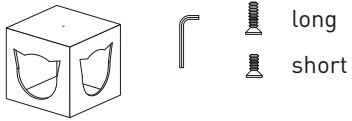
Turn the day beds upside down, then add the fabric-covered posts.



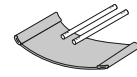
2 Add second

1 Add first

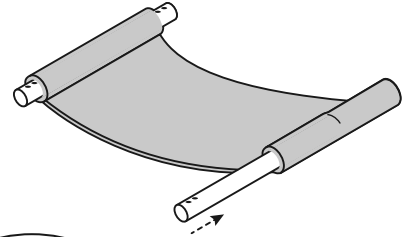
3 PIECES



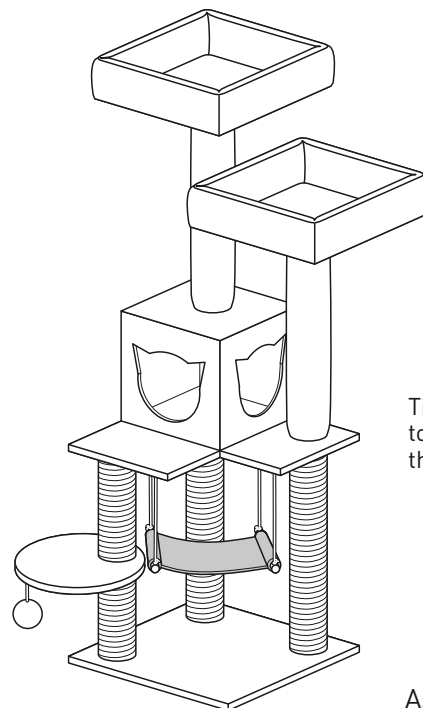
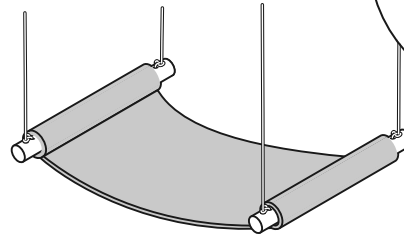
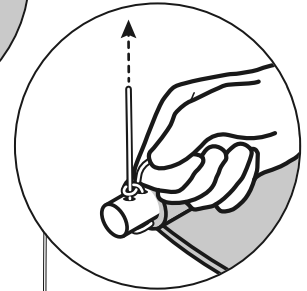
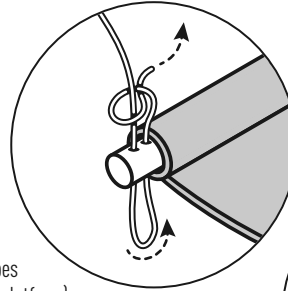
4 PIECES



Slip the dowels into the hammock ends.



Tie the dangling ropes (from the hideaway platform) onto the dowel ends.



Tighten all connections to ensure the stability of the entire unit.

Assembly completed. ■