

TOOLS REQUIRED: Hex Key (included) • Follow the Assembly Steps in the order presented.

HARDWARE INCLUDED:

Long Hex Screw
• 4 pcs



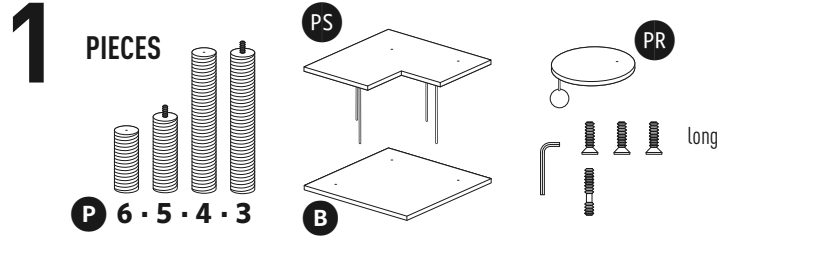
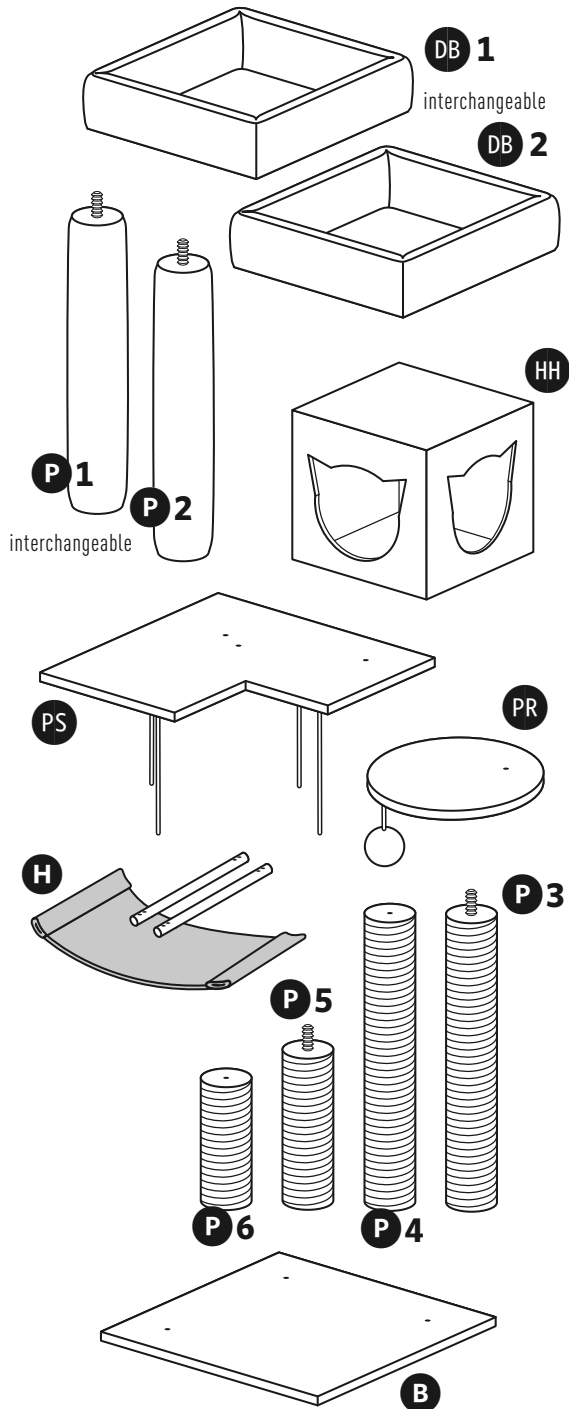
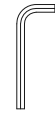
Short Hex Screw
• 1 pc



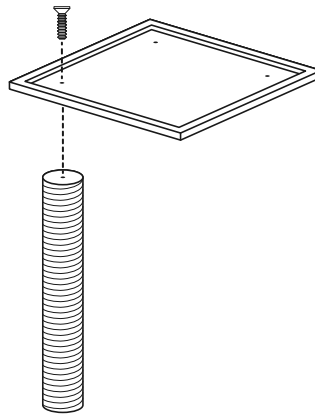
Screw Post
• 2 pcs



Hex Key

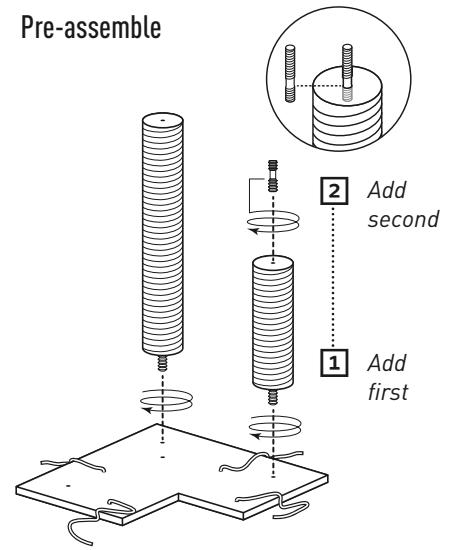


Pre-assembly

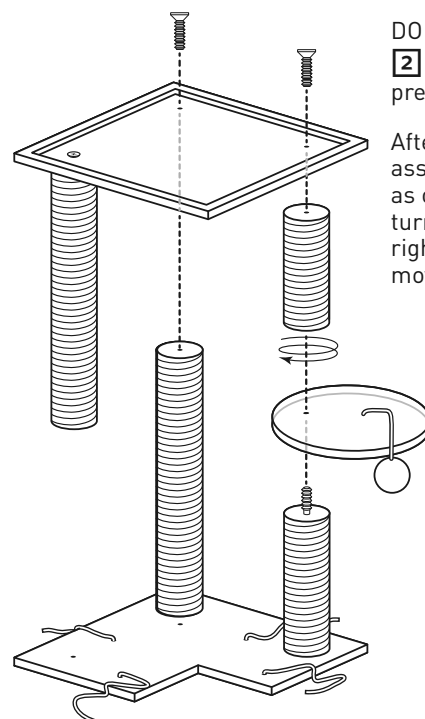


Turn the **base platform** upside down, then attach the **scratching post**.

Pre-assembly



Turn the **notched platform** upside-down, and add the **scratching posts**. Then add the **screw post** into the end of the **short post**.

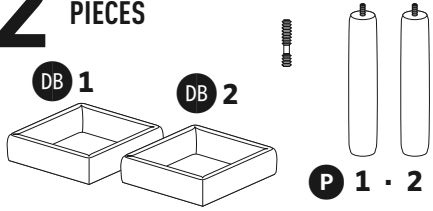


DO THIS SECOND :
2 Add the pre-assembled unit.

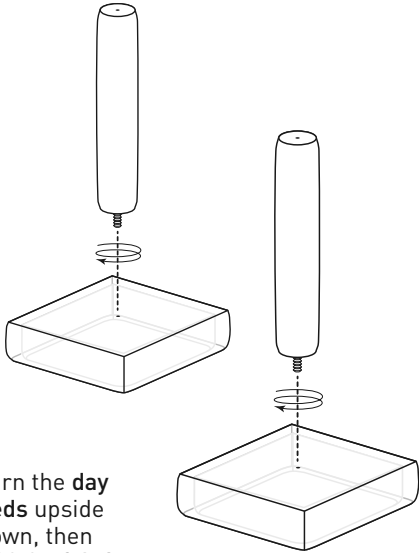
After both parts are assembled together as one unit, carefully turn entire piece right-side up, and move along to Step 2. ↗

DO THIS FIRST :
1 Turn the **round platform** upside down, place it onto the **screw post**, then add the **shortest scratching post**.

2 PIECES

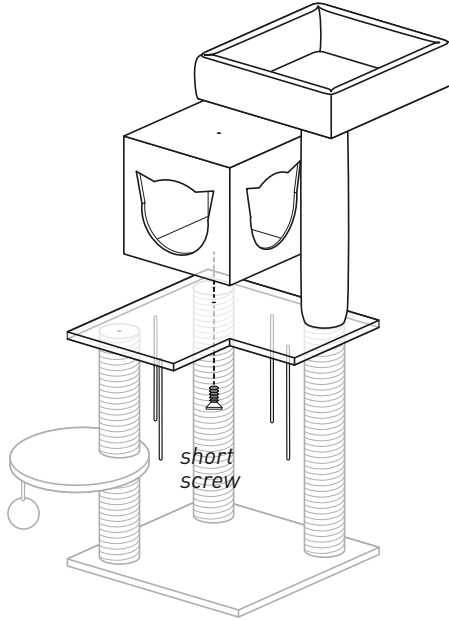
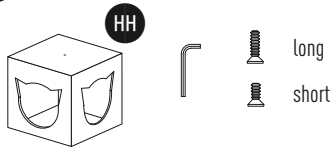


Pre-assembly

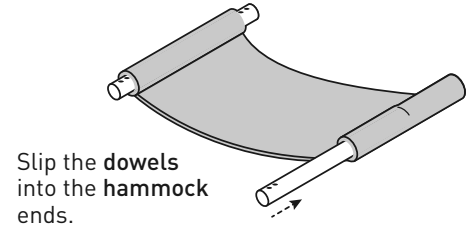
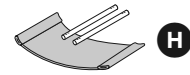


Turn the day beds upside down, then add the fabric-covered posts.

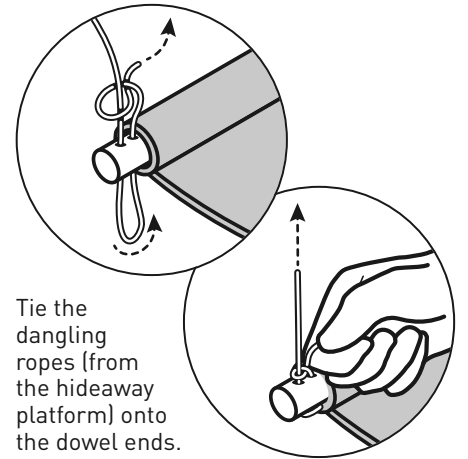
3 PIECES



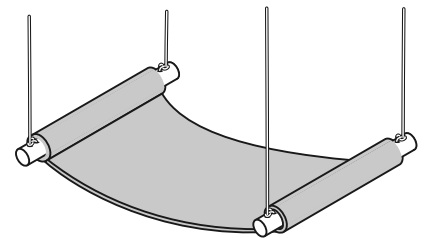
4 PIECES



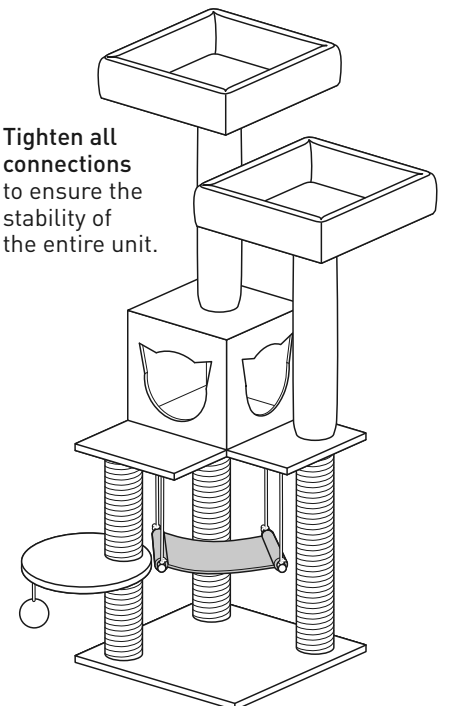
Slip the dowels into the hammock ends.



Tie the dangling ropes (from the hideaway platform) onto the dowel ends.



Tighten all connections to ensure the stability of the entire unit.



Assembly completed. ■

