



MODEL #F085 PLAYTOP FLIGHT CAGE with Stand

PARTS LIST

CUSTOMER SUPPORT

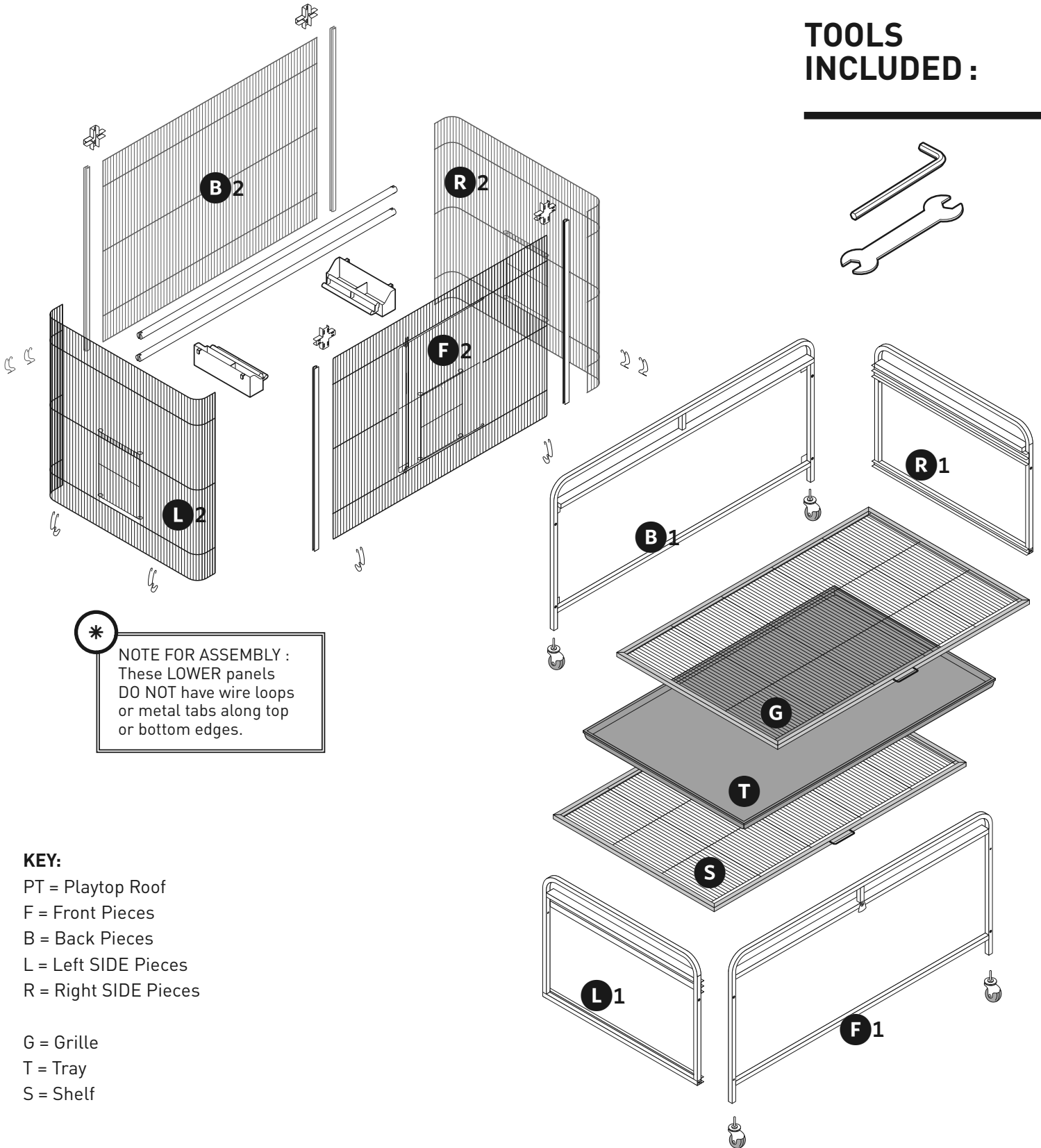
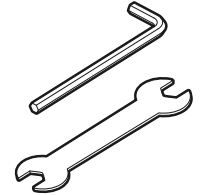
Please contact Prevue Pet Products:

PHONE 1 (312) 243-3624

ONLINE www.prevuepet.com

EMAIL customerservice@prevuepet.com

TOOLS INCLUDED :



 NOTE FOR ASSEMBLY :
 These LOWER panels
 DO NOT have wire loops
 or metal tabs along top
 or bottom edges.

KEY:

PT = Playtop Roof

F = Front Pieces

B = Back Pieces

L = Left SIDE Pieces

R = Right SIDE Pieces

G = Grille

T = Tray

S = Shelf



MODEL #F085 PLAYTOP FLIGHT CAGE with Stand

PARTS LIST

CUSTOMER SUPPORT

Please contact Prevue Pet Products:

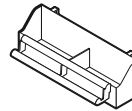
PHONE 1 (312) 243-3624

ONLINE www.prevuepet.com

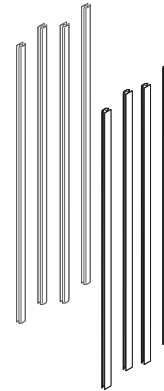
EMAIL customerservice@prevuepet.com

ADDITIONAL COMPONENTS:

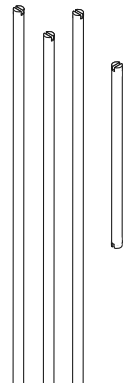
Cups
4 pcs



Connector Rails
8 pcs



Perches
4 pcs



HARDWARE INCLUDED:



Screws 8 pcs



Nuts 4 pcs



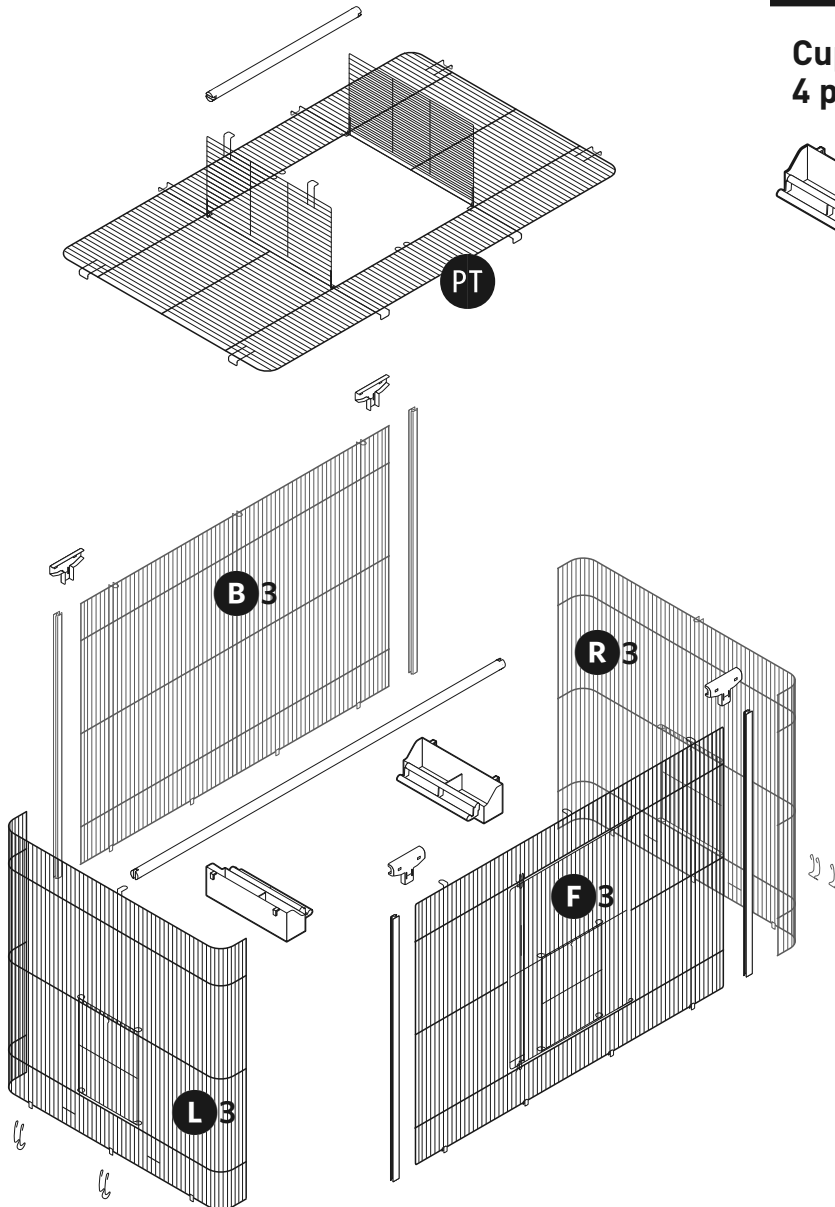
Wire Clips
12 pcs



Rolling Casters
4 pcs



Connectors
4 "T" pcs
4 "+" pcs



NOTE FOR ASSEMBLY :
These UPPER panels have wire loops along the top edge and metal tabs along the bottom edge.

Playtop Flight Cage with Stand

Model : #F085 Instructions online at www.prevuepet.com

CUSTOMER SUPPORT

Please contact Prevue Pet Products:

PHONE 1 (312) 243-3624

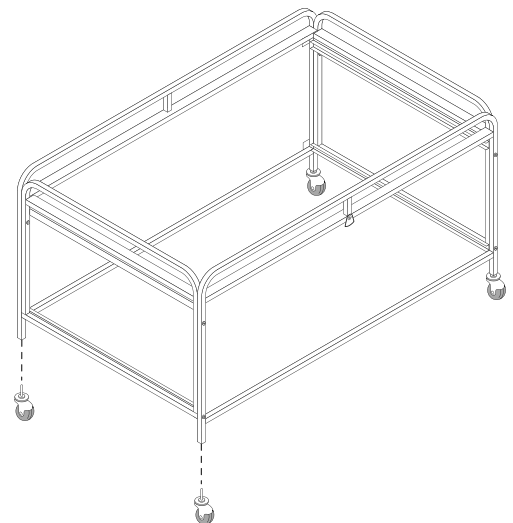
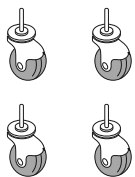
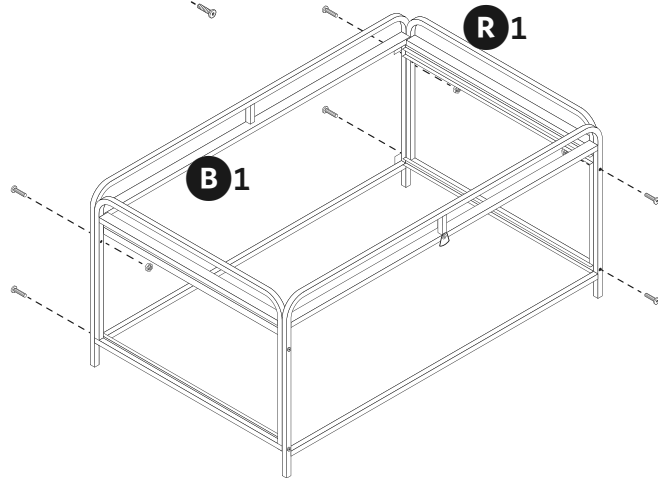
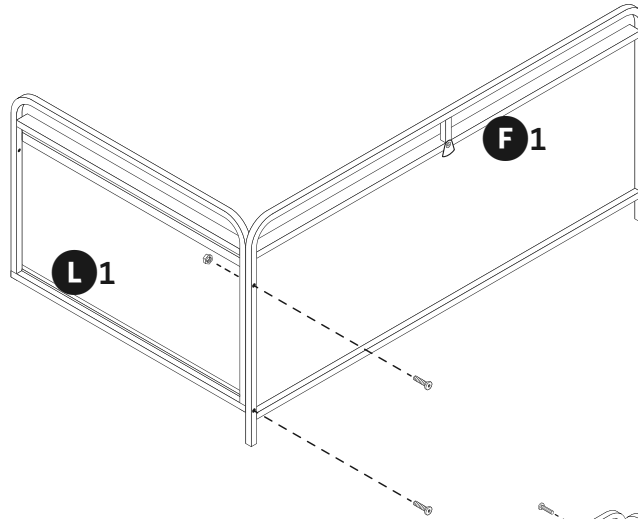
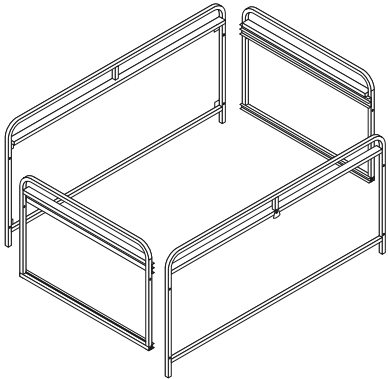
ONLINE www.prevuepet.com

EMAIL customerservice@prevuepet.com

1 PIECES



- While it is possible for one person to assemble this cage, we recommend two people for best results.



2 PIECES



PANELS :

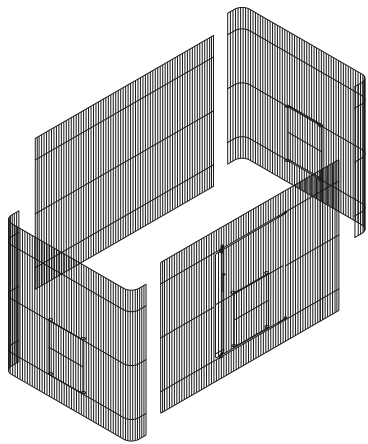
Thick horizontal wires
face the exterior.

Thin vertical wires face
the interior.

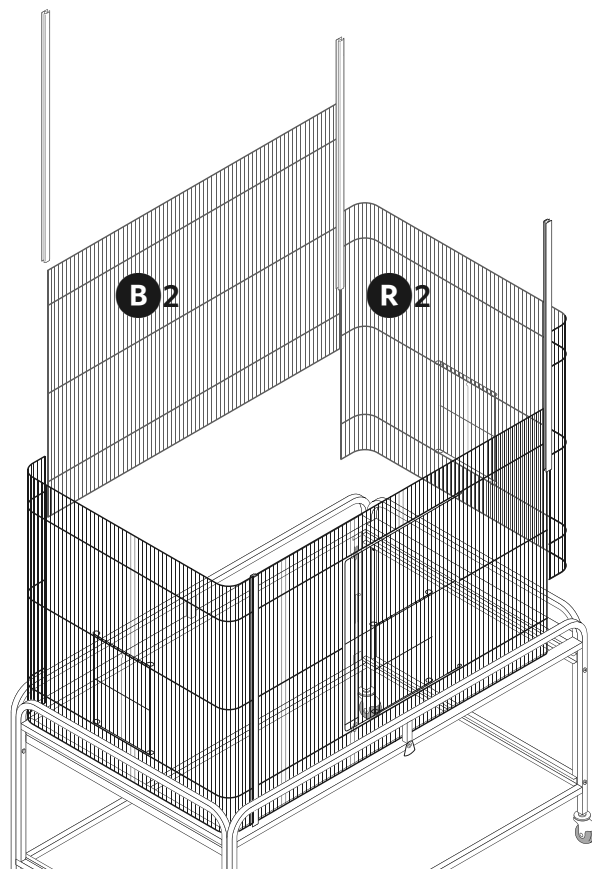
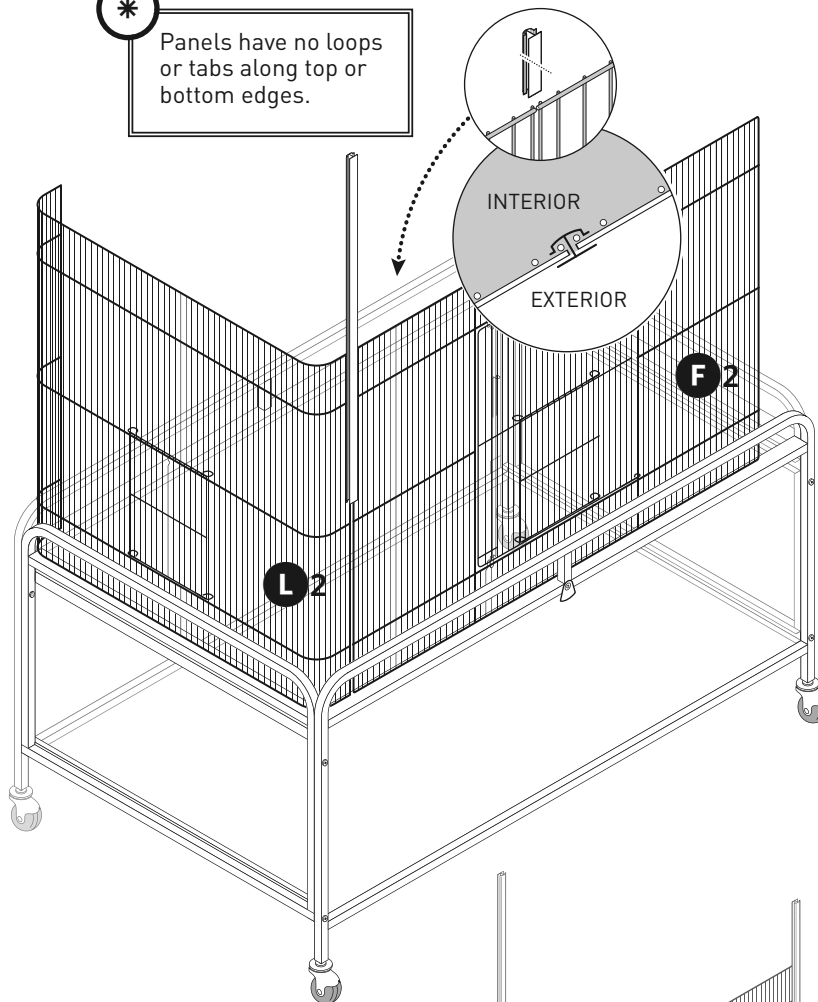
CONNECTOR RAILS :

Flat surface of the connector
rail faces the exterior.

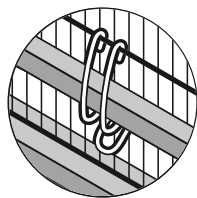
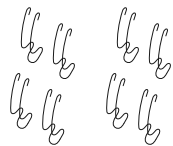
The rounded surface faces
the interior.



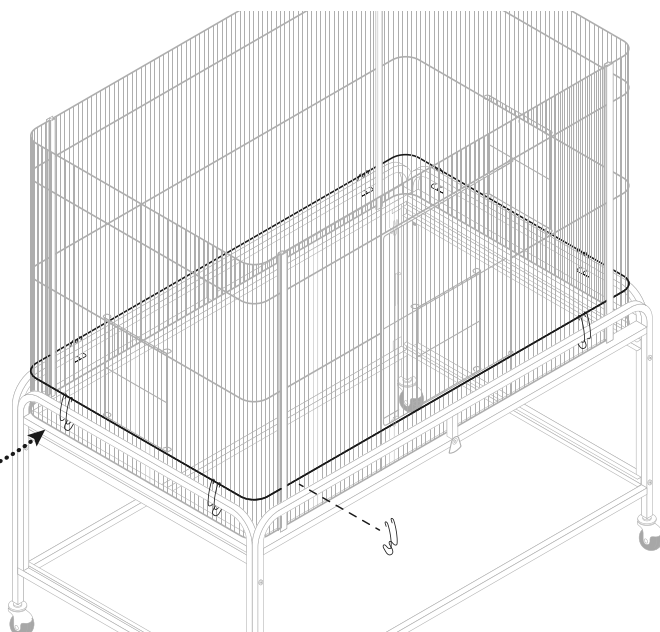
* Panels have no loops
or tabs along top or
bottom edges.



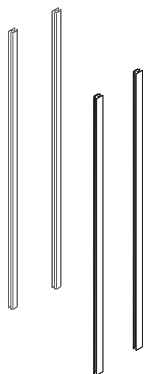
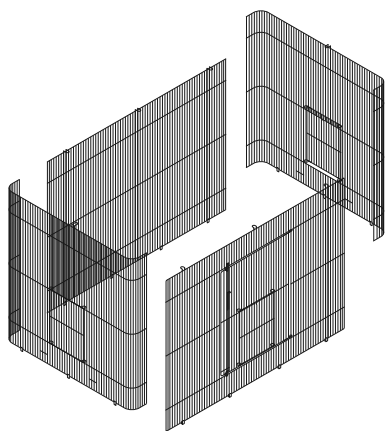
2 continued



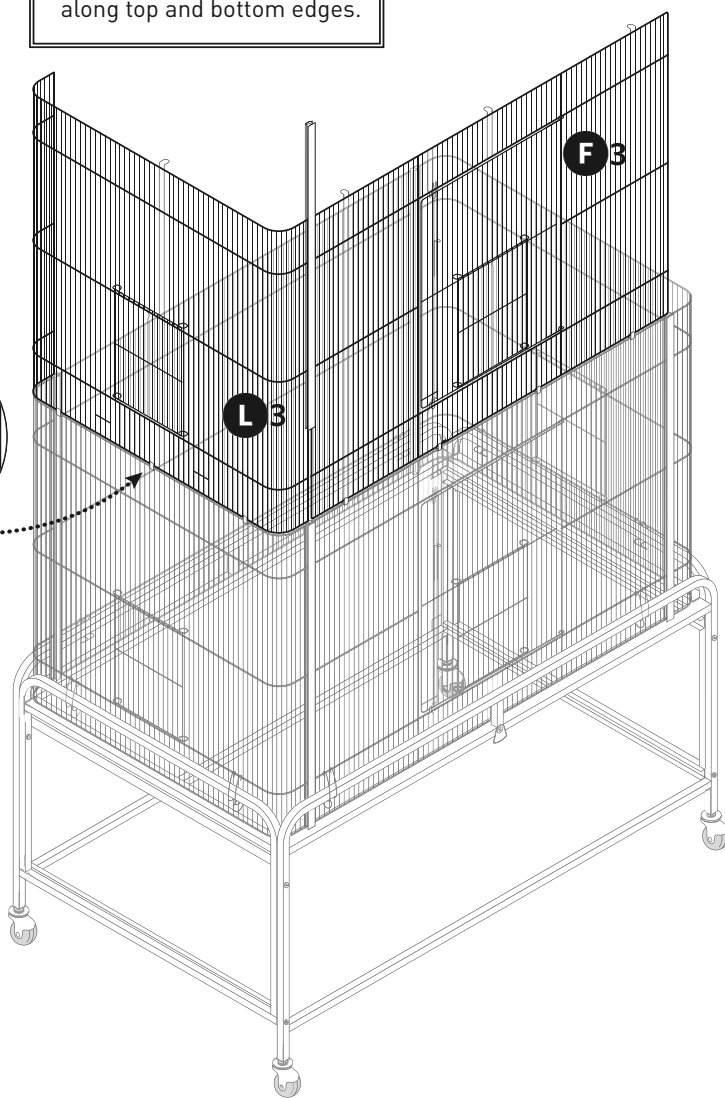
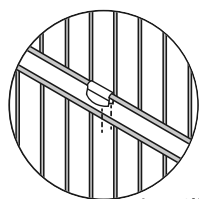
Clip the assembled mesh to the stand. Two clips on all four sides.



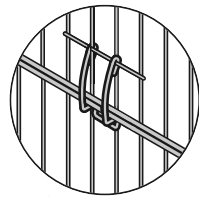
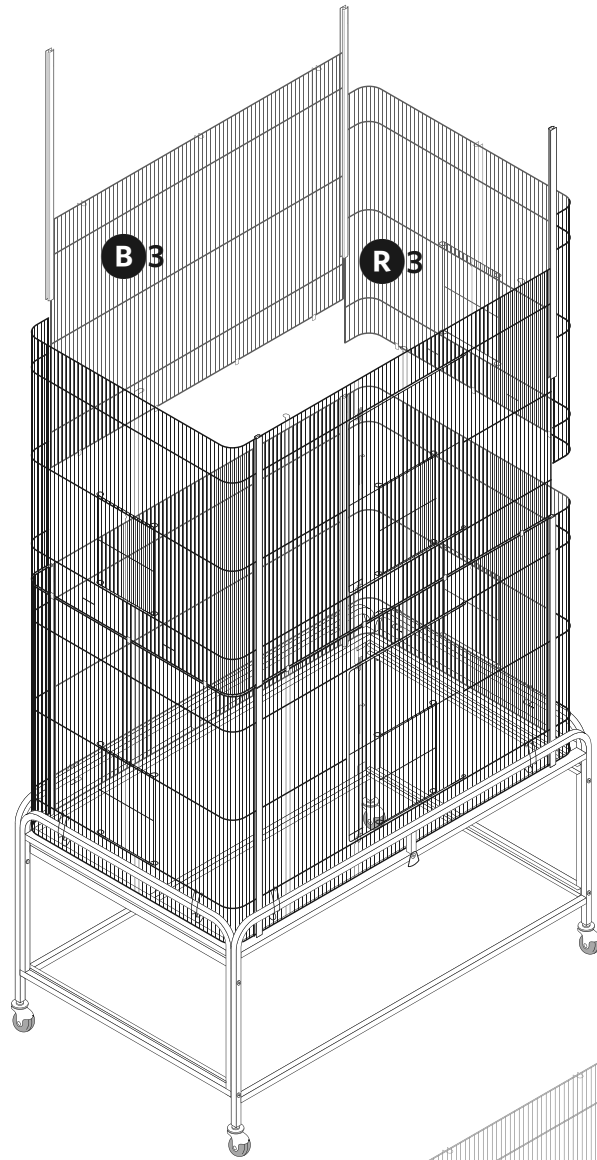
3 PIECES



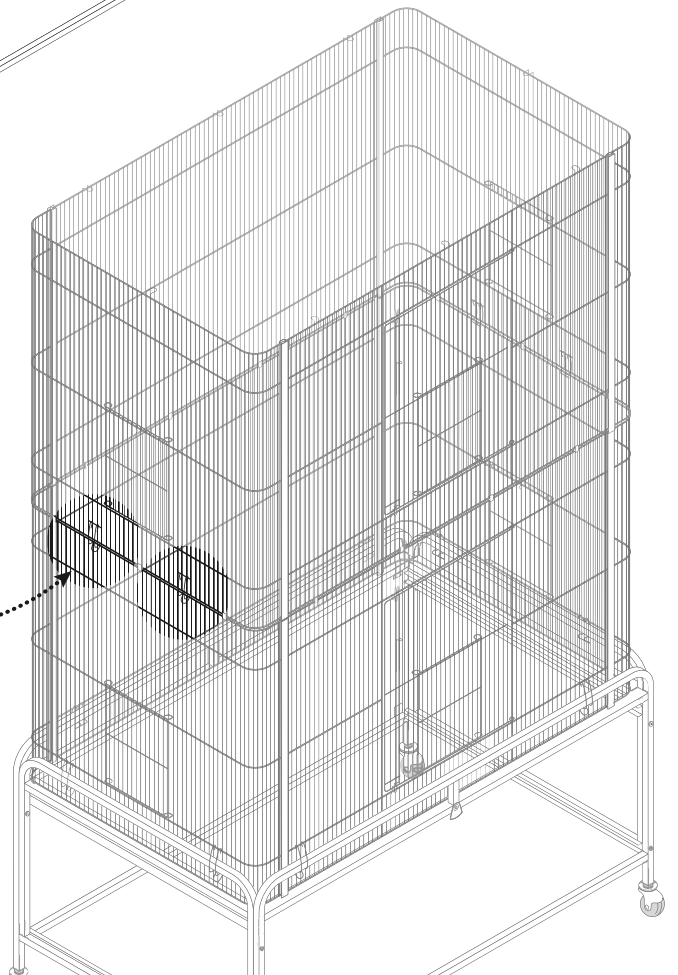
* Panels have loops and tabs along top and bottom edges.



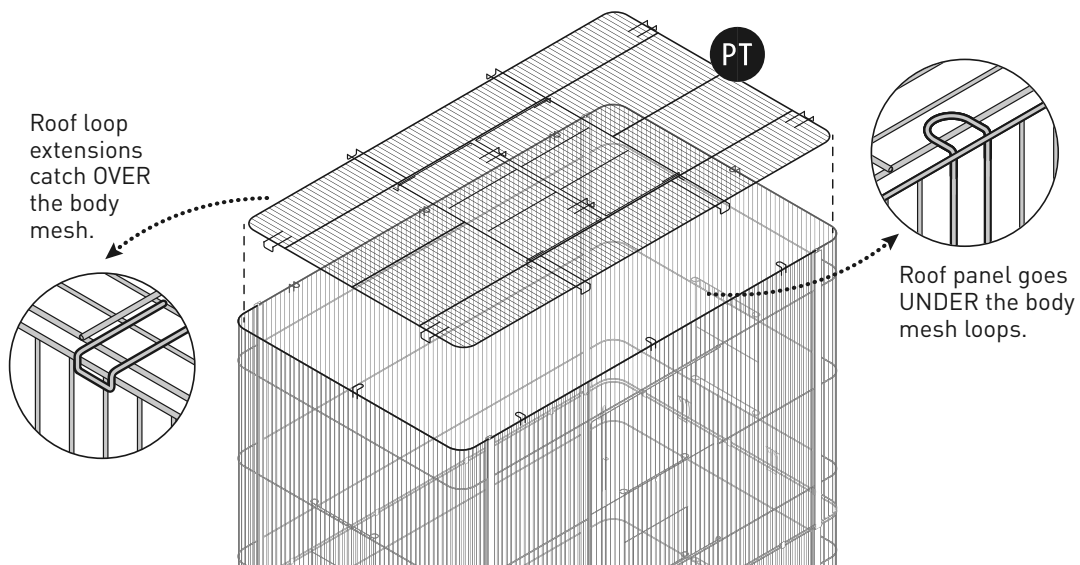
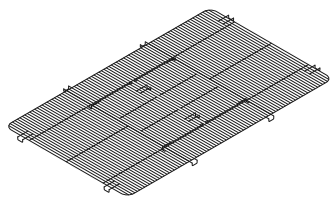
3 continued



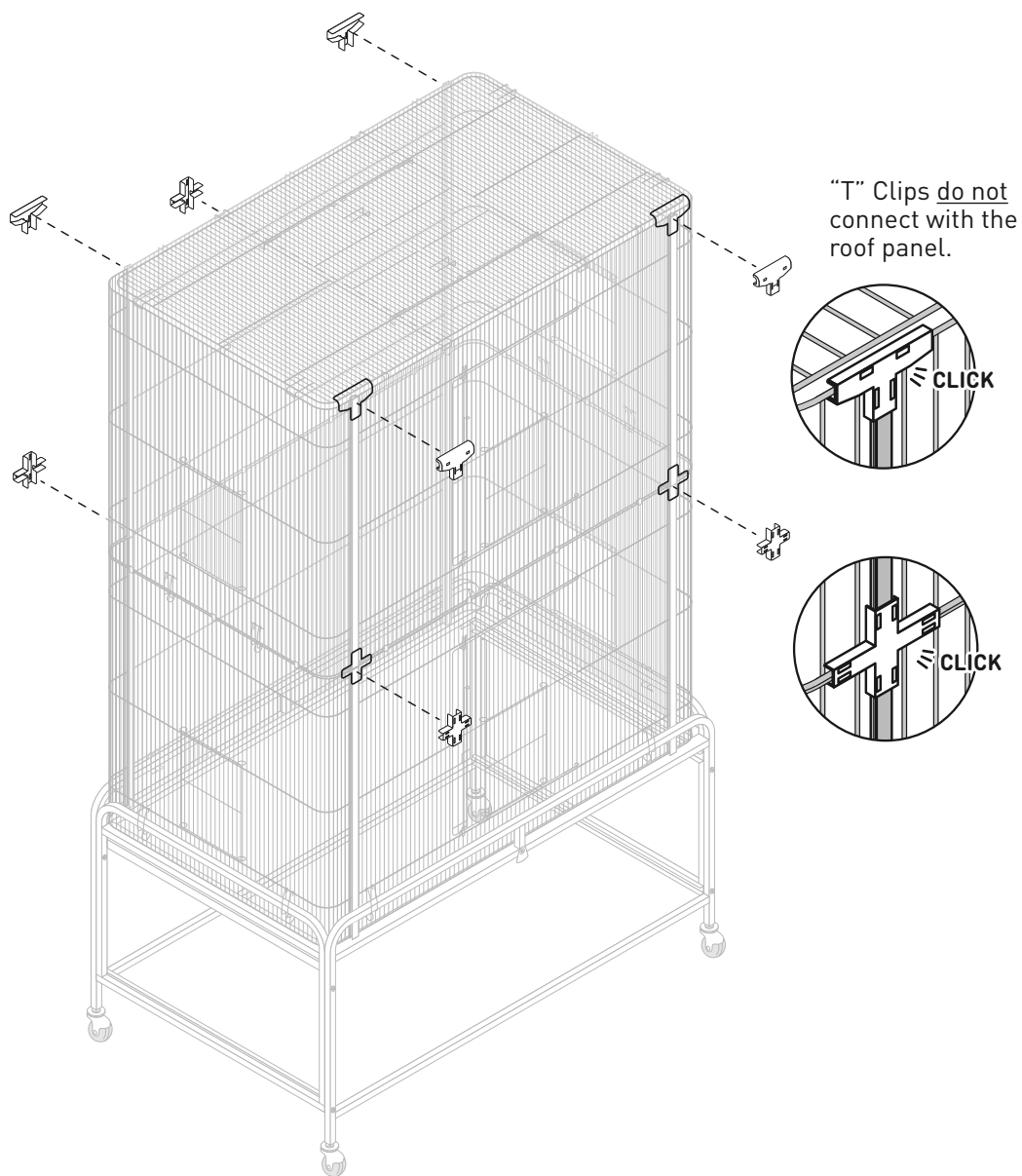
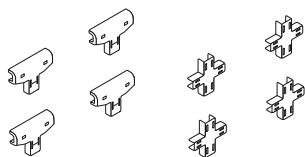
Clip the top half to the lower half. Two clips each, on the side panels only.



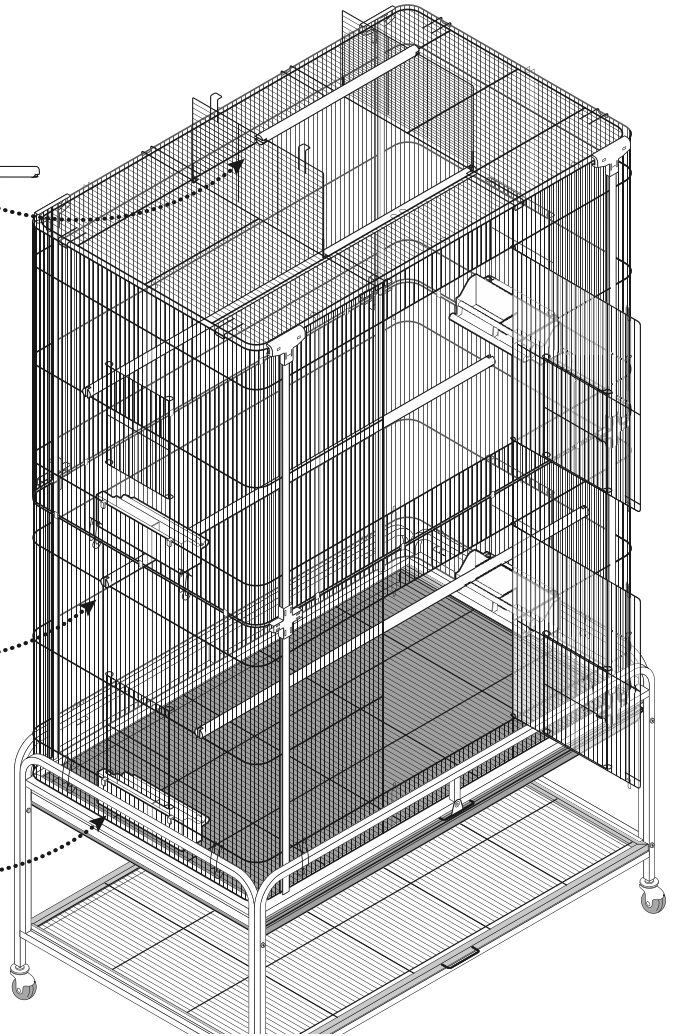
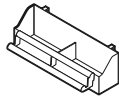
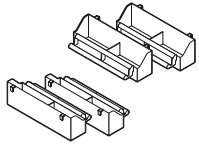
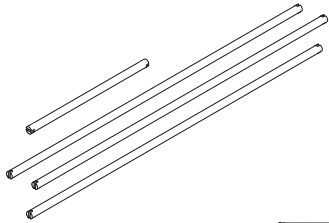
4 PIECES



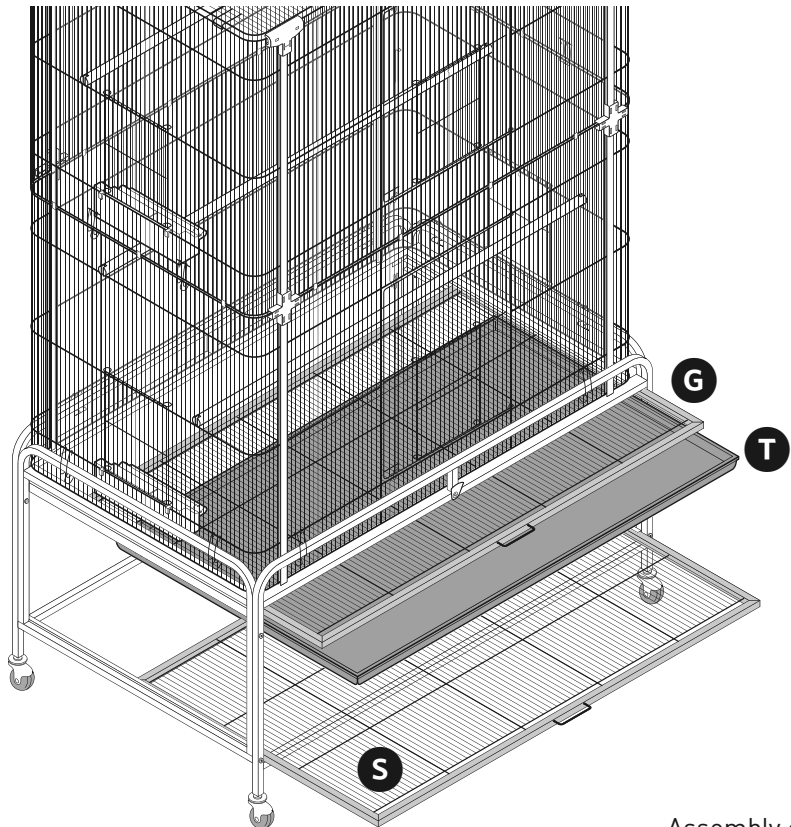
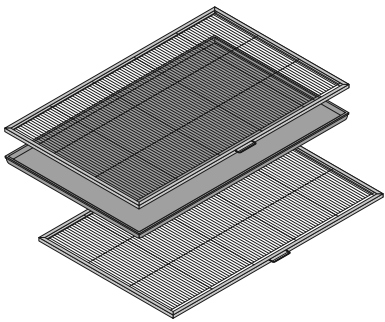
5 PIECES



5 continued



6 PIECES



Assembly completed. ■