

ONE-STORY **Hamster Gerbil Home**

Model: # 2000C / #98003

Instructions online at www.prevuepet.com

read first REVIEW BEFORE ASSEMBLY

- No tools are required for assembly
- For best results, follow the Steps in the order they are presented

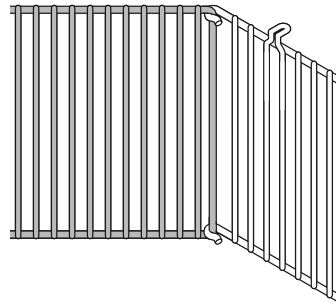
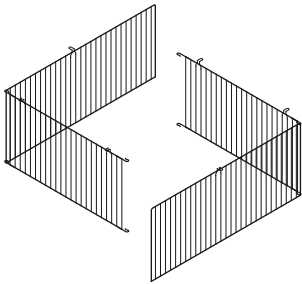
For assistance or replacement parts, please contact Prevue Pet Products:

PHONE 312.243.3624

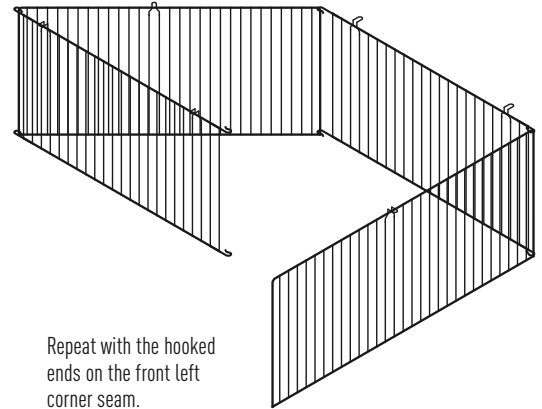
ONLINE www.prevuepet.com

EMAIL customerservice@prevuepet.com

1 To assemble the **CAGE BODY**, you will need these pieces:

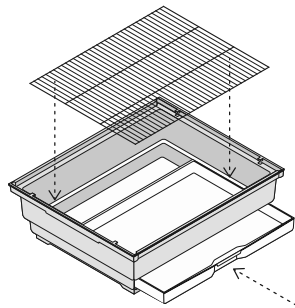
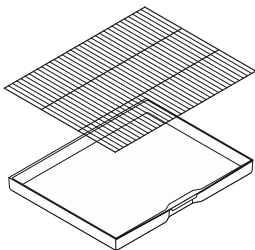


Pull the hooked end wires of the right-side panel onto the back panel until they are fully linked.



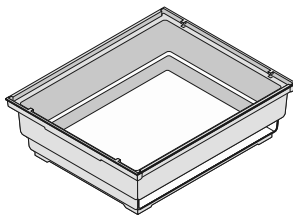
Repeat with the hooked ends on the front left corner seam.

2 To add the cage body to the **CAGE BASE**, you will need these pieces:

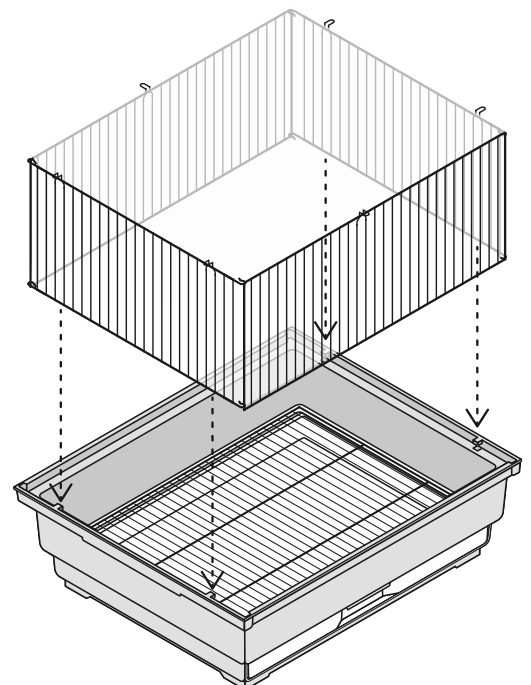
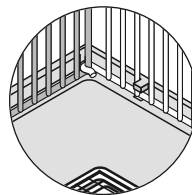


Set the grille into the base.

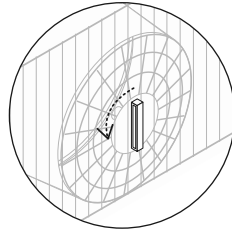
Push the tray into the base.



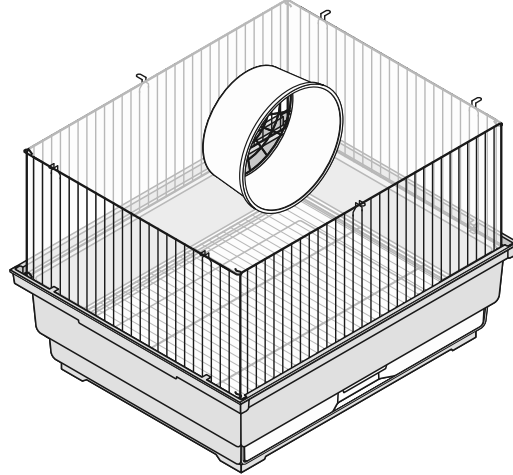
Set the assembled mesh into the base, catching the bottom wire of the side panels under the tabs along the rim.



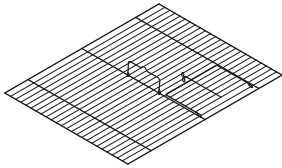
3 To add the **ACCESSORIES**, you will need this piece:



Place the wheel in the cage near the floor level. Align the bar on the back to fit between the cage wires. From the back of the cage, rotate the bar 90° to secure the wheel in place.



4 To add the **ROOF**, you will need this piece:



Start at the side.
Center the roof on the cage. Catch the outer edge wire under the loops on the side panel. Softly bend the roof mesh to catch the roof line onto the front and back panel loops.
Finish by catching the roof onto the opposite side panel loops.

