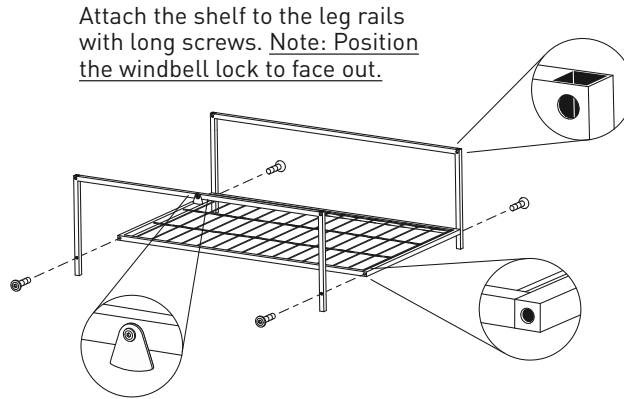
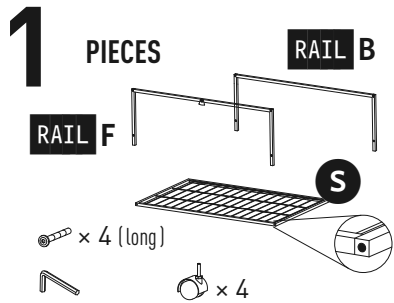
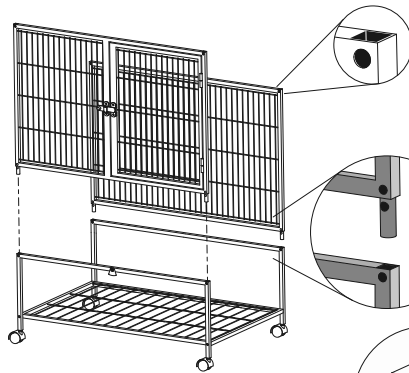
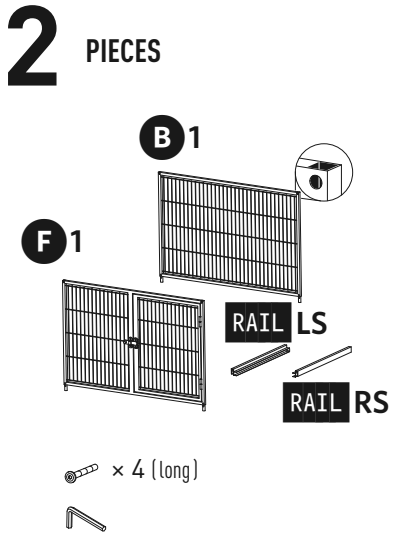
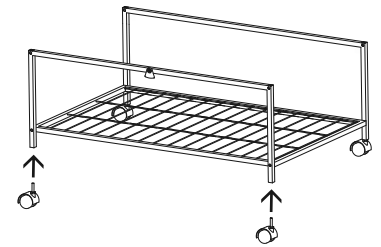


TOOLS : Allen wrench (included) • For best results, follow Assembly Steps in the order presented.

KEY:
 F = Front parts S = Storage shelf
 B = Back parts FG = Floor grilles
 LS = Left side parts R = Roof
 RS = Right side parts T = Tray

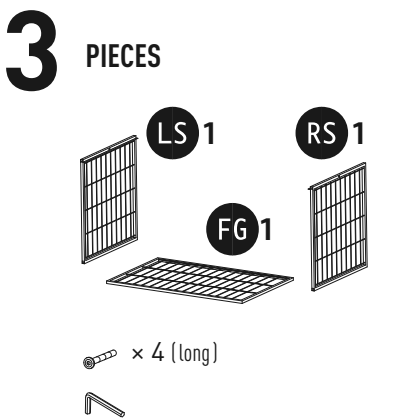
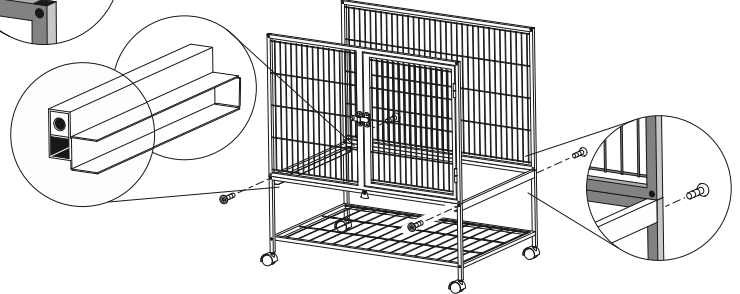


Fully insert rolling casters into each frame leg.

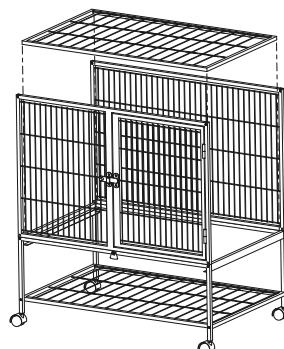


Insert posts on the lower front and back panels into the leg frames. Note: The lower panels have openings at the top corners.

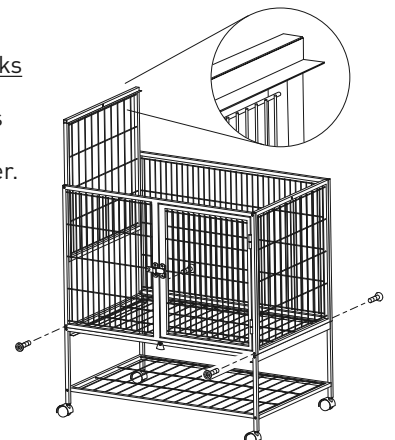
Attach the grille/tray rails with the long screws. Note: Orient the rail with the open end facing the front.



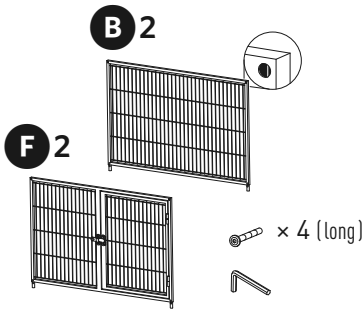
Slide the floor grille down into place. Note: FG 1 does not have any inset doors.



Slide the lower side panels into place. Note: Orient the tracks at the top and facing in. Secure the panels with one long screw in each bottom corner.

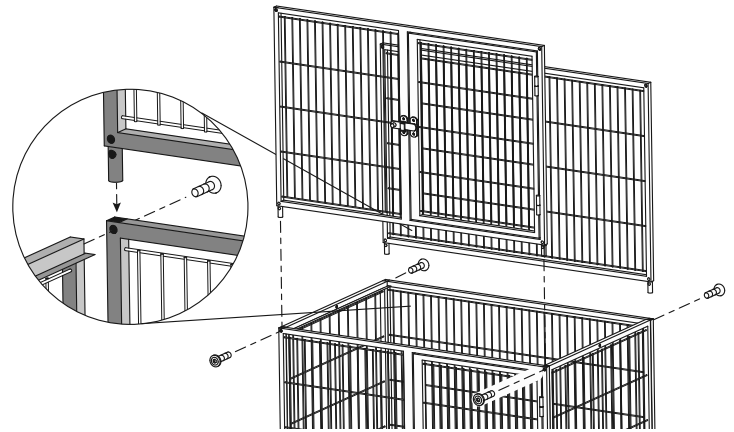


4 PIECES

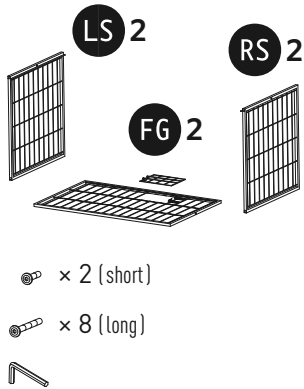


First, insert the upper panels into place. Next, secure them together with a long screw in each corner.

Note: Each corner screw secures the intersection of the three panels.



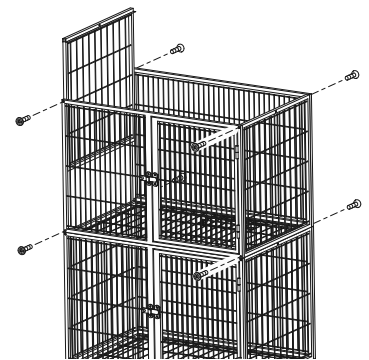
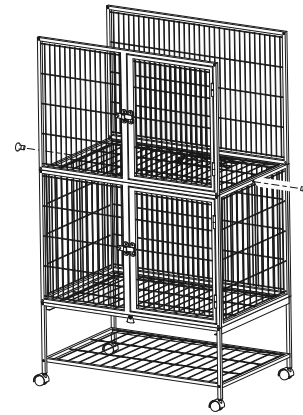
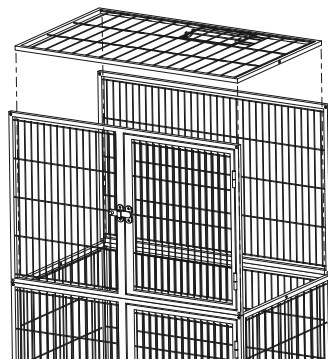
5 PIECES



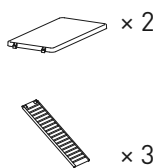
Slide the floor grille (with the removable hatch door) into place.

Secure the grille with a short screw on each side.

First, slide the upper side panels into place. Next, secure the panel intersections with long screws at all corners.



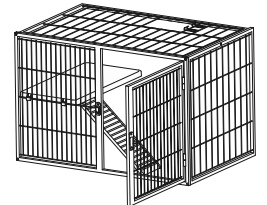
6 PIECES



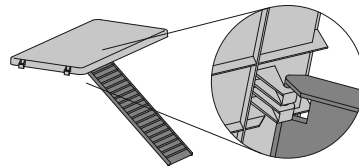
6.1 Remove the door cover.



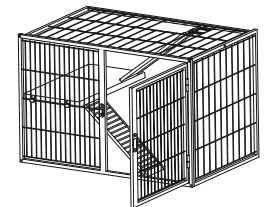
6.3 Clip the platform/ramp units onto the cage in the lower and upper levels.



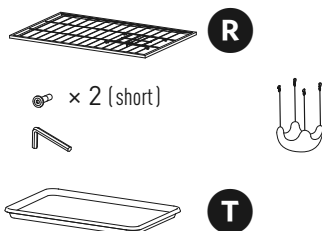
6.2 Snap the ramps onto the underside of the platforms.



6.4 Hook the remaining ramp onto the loops at the mid-level floor opening.



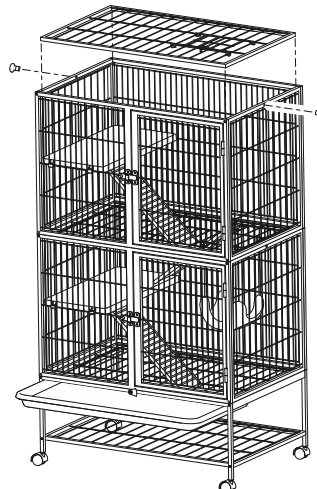
7 PIECES



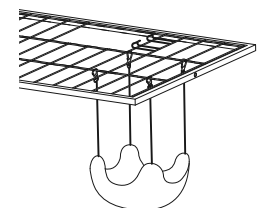
Set the roof panel (with inset sliding door) into place.

Secure the roof in place with short screws.

Rotate the windbell lock up and slide the tray into place.



Add the hammock.



Assembly completed.