

NO TOOLS NEEDED • For best results, follow Assembly Steps in order presented.

For questions or assistance during assembly, please contact PREVUE PET PRODUCTS Customer Service : 1 (312) 243-3624

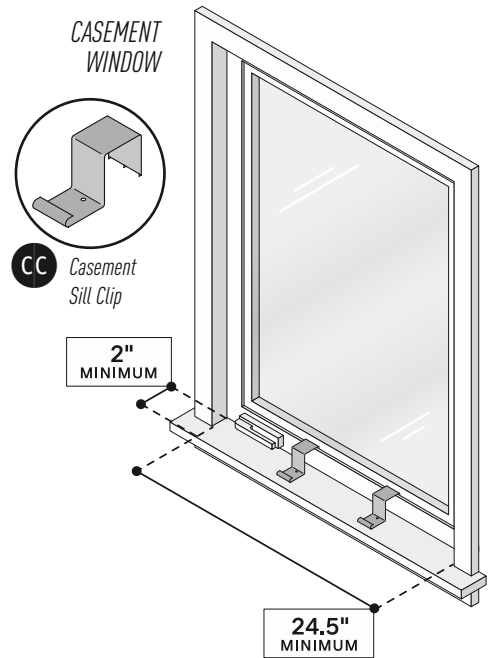
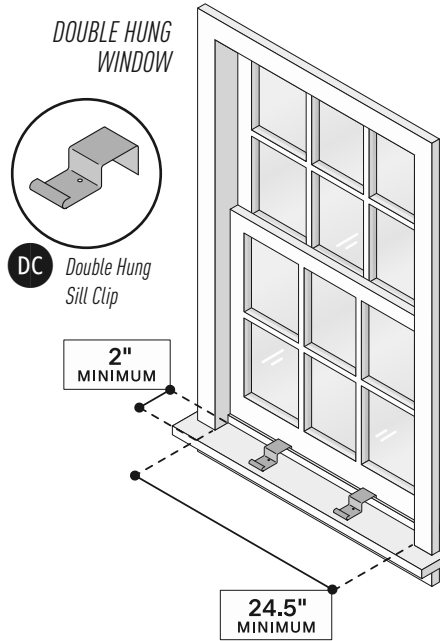
BEFORE YOU START

* Check your double hung or casement window :

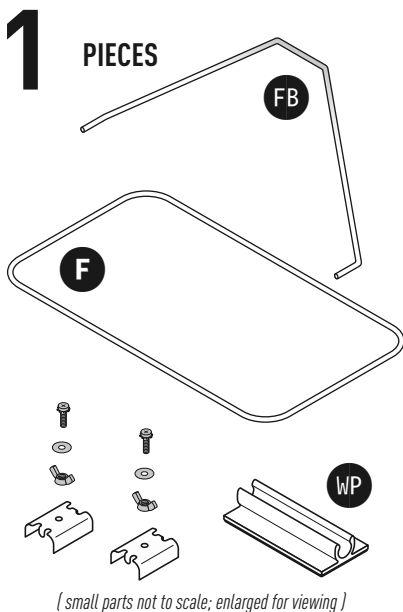
- Your frame should be wider than 24.5"
- Your sill must be 2" or wider

* Test the sill clips in your window :

- Make sure the clips fit on your sill and the window can close with the sill clips in place



KEY: CC = Casement Sill Clip
DC = Double Hung Sill Clip
F = Frame
FB = Frame brace
WP = Wall Pad
C = Cover



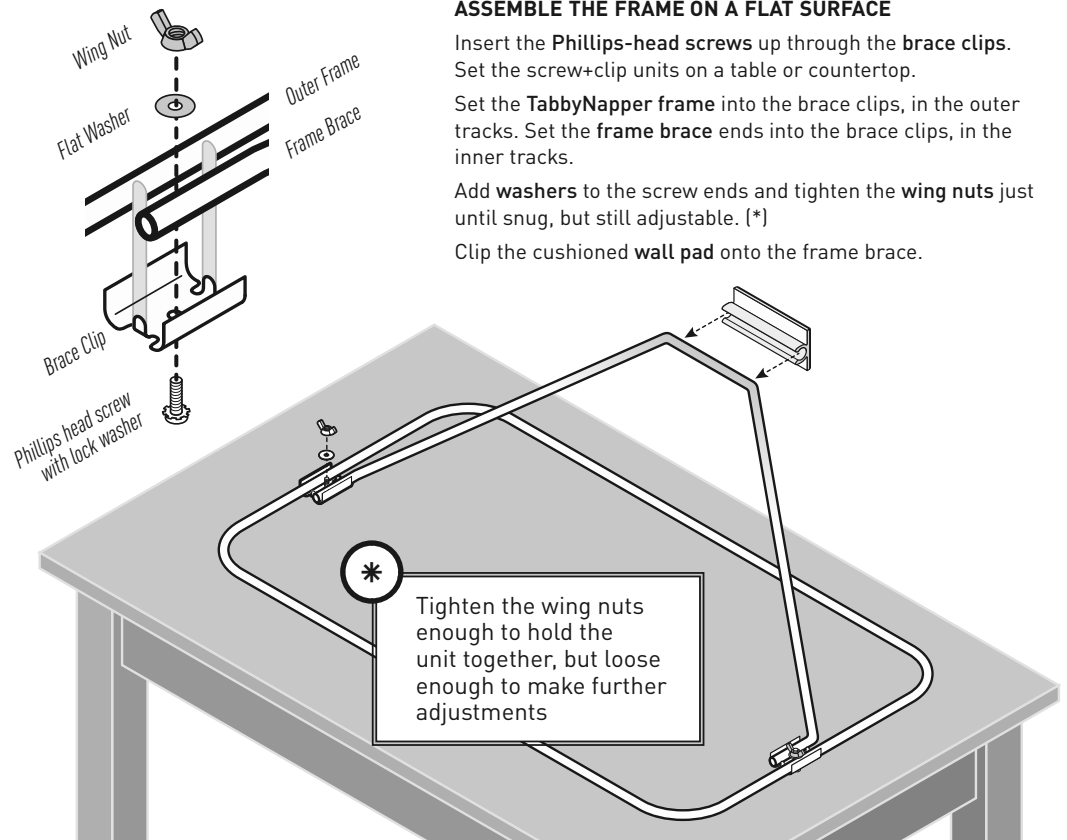
ASSEMBLE THE FRAME ON A FLAT SURFACE

Insert the Phillips-head screws up through the brace clips. Set the screw+clip units on a table or countertop.

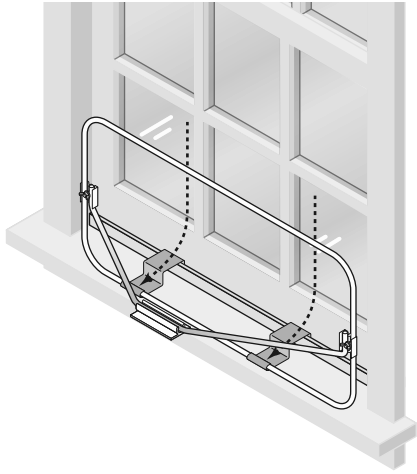
Set the TabbyNapper frame into the brace clips, in the outer tracks. Set the frame brace ends into the brace clips, in the inner tracks.

Add washers to the screw ends and tighten the wing nuts just until snug, but still adjustable. (*)

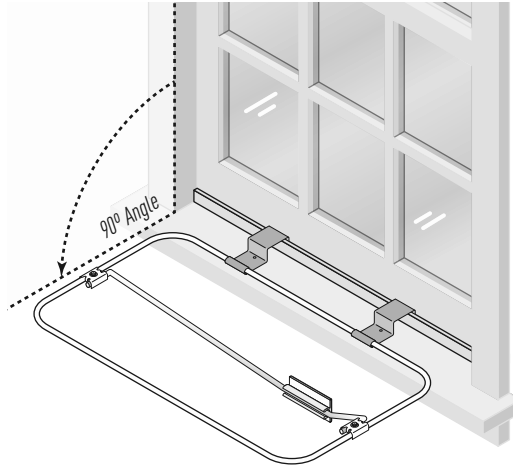
Clip the cushioned wall pad onto the frame brace.



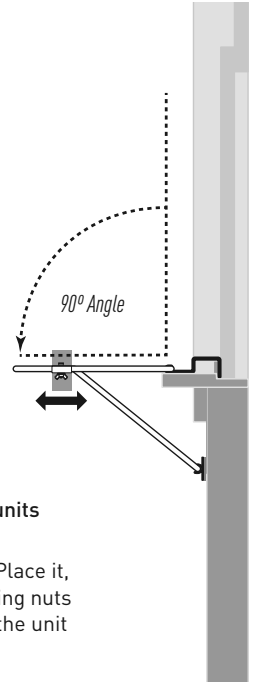
2



Test :
Before adding the cover, hook the assembled frame onto your window sill clips, and swing it down into place.

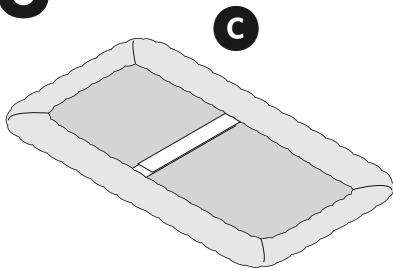


Adjust :
The **frame brace** will need adjustment. Shift both **brace clip units** forward or back, to prop the **frame** at a 90° angle to the wall.
Carefully remove the entire TabbyNapper from the sill clips. Place it, frame brace up, like it was assembled, and really crank the wing nuts down tight. The tighter they are, the more secure and stable the unit will be when supporting weight.



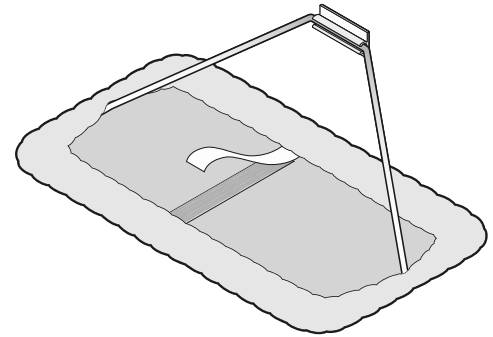
3

PIECES



Stretch the **cover** onto the frame.
Secure it in place with the **Velcro strips**.

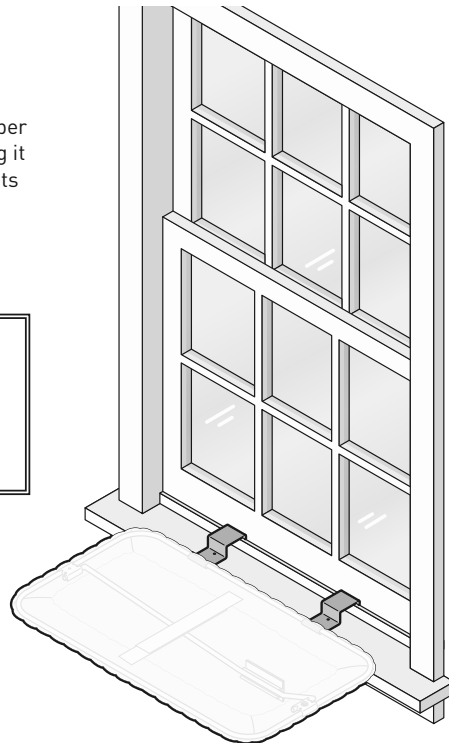
* Check the wing nuts again and make sure they are screwed down as tight as possible.



4

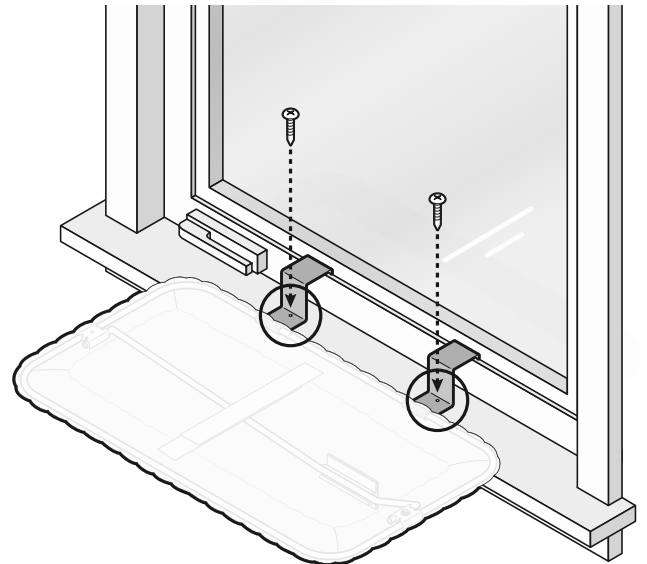
Hook the assembled TabbyNapper onto the window sill clips, swing it down into place, and let your cats enjoy the view!

* Window must remain closed for the safety and security of your home, your pets, and for the TabbyNapper itself.



OPTIONAL

The TabbyNapper may be installed more permanently :
Screw the sill clips to the sill with wood screws (not included) as illustrated.



Assembly completed. ■