

# Flower Power

## read first

REVIEW BEFORE ASSEMBLY

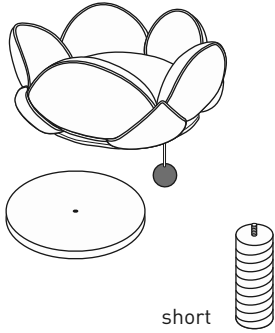
- **TOOLS:** Allen wrench is included. No other tools are necessary.

For assembly assistance, please contact Prevue:

**PHONE** 1 (312) 243-3624  
**ONLINE** [www.prevuepet.com](http://www.prevuepet.com)  
**EMAIL** [customerservice@prevuepet.com](mailto:customerservice@prevuepet.com)

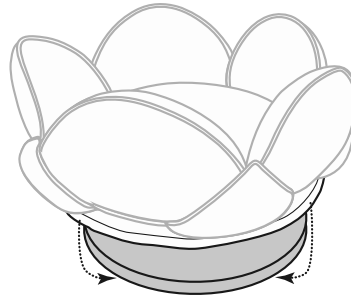
Kitty Power Paws Model: #7320

### 1 PIECES



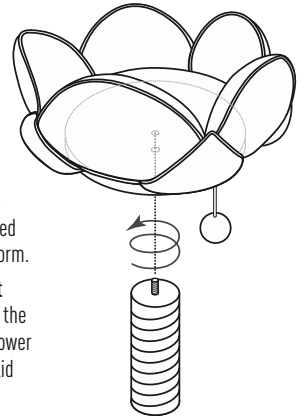
short

#### Pre-assembly



Tuck the circle platform in the base of the flower bed.

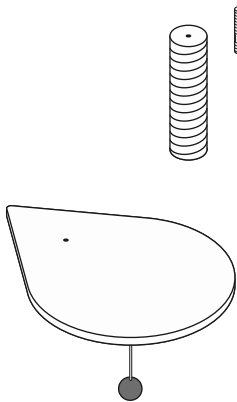
Pull the elastic band on the flower bed apron down around the sides of the platform.



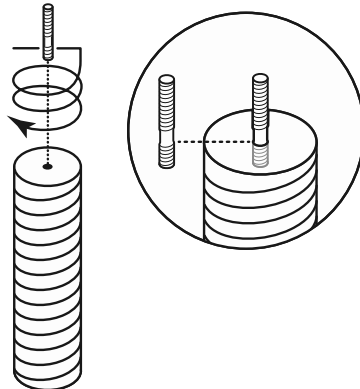
Align the hole in the base of the flower bed with the circle platform.

Twist the **short post** into place—through the platform, into the flower bed—to create a solid unit.

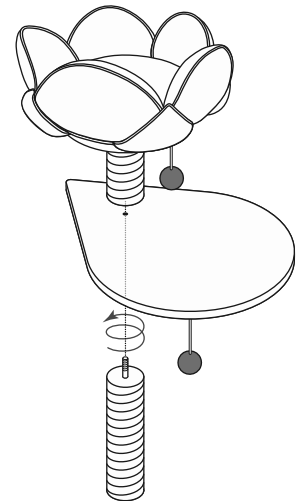
### 2 PIECES



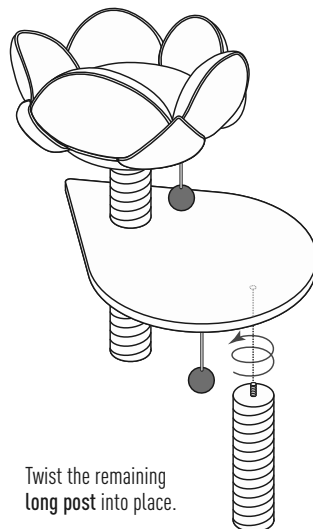
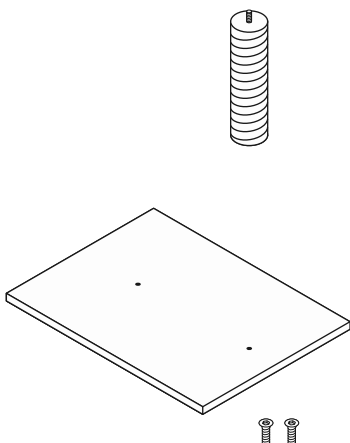
#### Pre-assembly



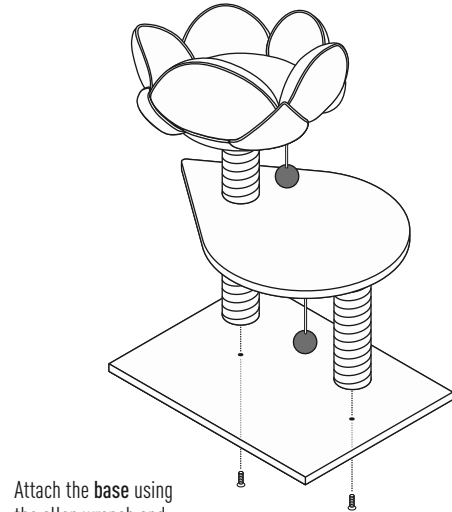
Twist the **long post** into place through the platform into the base of the flower bed post to create a solid unit.



### 3 PIECES



Twist the remaining **long post** into place.



Attach the **base** using the allen wrench and the two hex screws.

Assembly completed.