



# Hamster Gerbil Home

Instructions online at [www.prevuepet.com](http://www.prevuepet.com)

## CUSTOMER SUPPORT

Please contact Prevue Pet Products:

**PHONE** 1 (312) 243-3624

**ONLINE** [www.prevuepet.com](http://www.prevuepet.com)

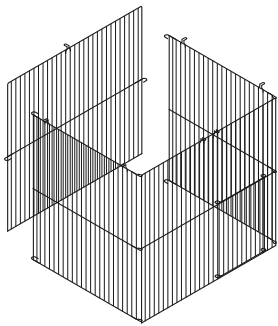
**EMAIL** [customerservice@prevuepet.com](mailto:customerservice@prevuepet.com)

NO TOOLS REQUIRED • For best results, follow Assembly Steps in the order they are presented.

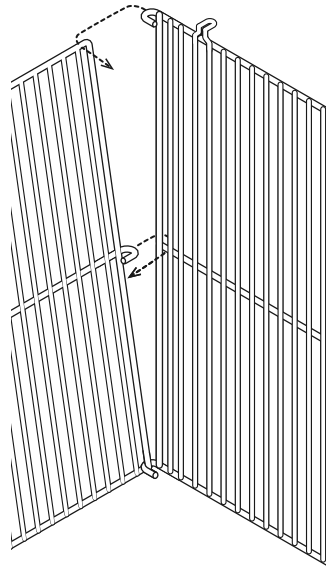
### KEY:

- M = Mesh
- B = Base
- A = Accessories
- G = Grille
- T = Tray
- R = Roof

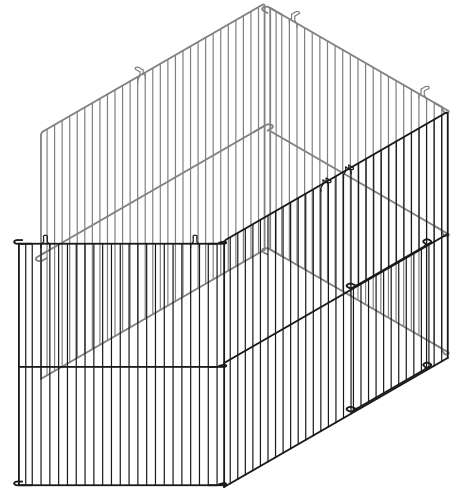
## 1 PIECES



M

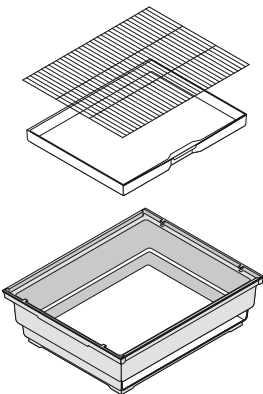


Attach the back panel to the three-panel unit:  
Start at the lower corner. Hook the right side onto the back panel, then weave the alternating hooked wires of the two panels together, up the seam, to the top.



Repeat the method with the opposite seam (left-side panel to back panel).

## 2 PIECES

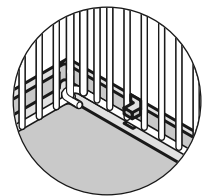
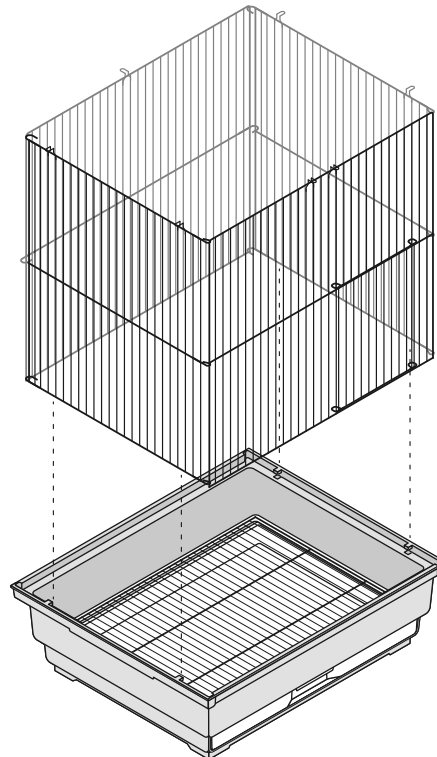
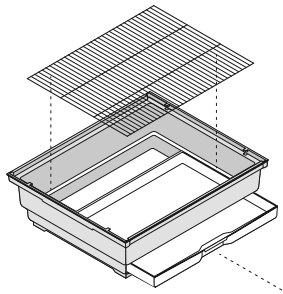


G

T

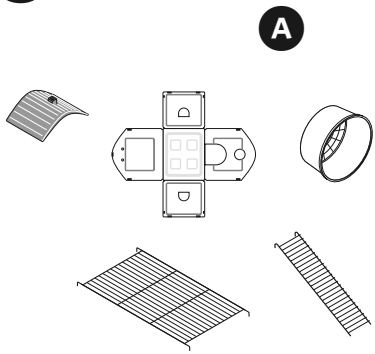
B

Set the grille into the base.  
Push the tray into the base (if loose).

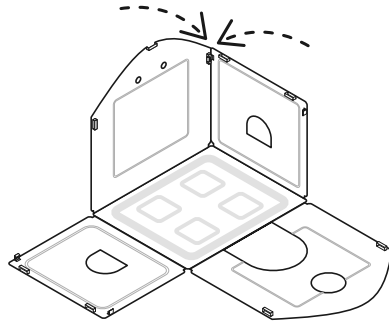


Set the assembled mesh into the base, catching the bottom wire of the side panels under the tabs along the rim.

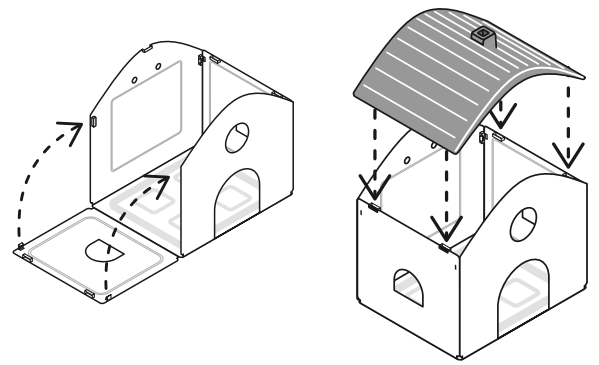
# 3 PIECES



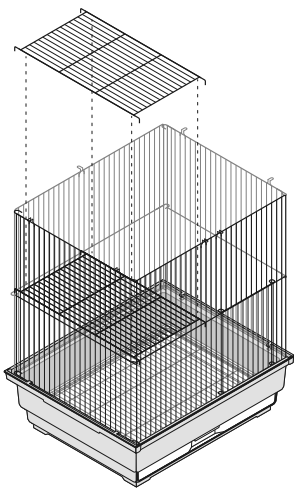
Assemble the hideaway house by flipping the sides upright and pushing the tabs into the slots until they click.



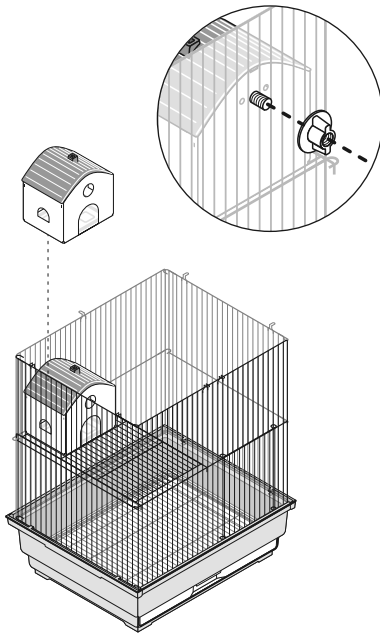
Align the pegs on the underside of the roof into the slots on the side walls until they click in place.



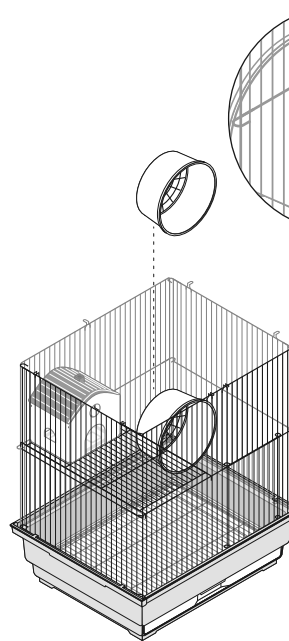
Set the "L" hook ends of the platform down over the center-height horizontal wire.



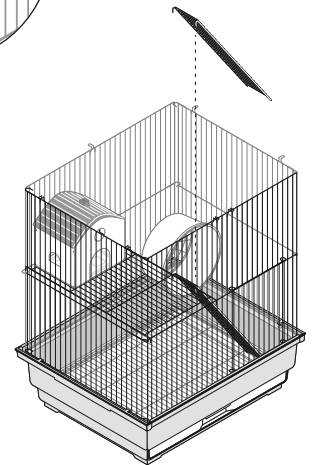
Remove the wing nut from the back of the house. Place the house in position on the platform, poking the screw post through the wires. From the back of the cage, replace the wing nut. Tighten until snug.



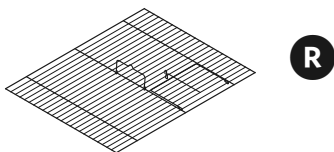
Place the wheel in the cage near the floor level. Align the bar on the back to fit between, and through, the cage wires. From the exterior of the cage, rotate the bar 90° to secure the wheel in place.



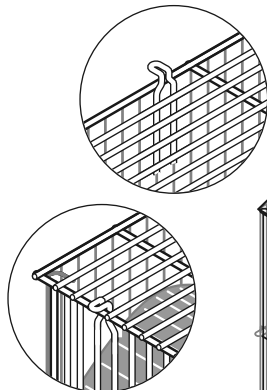
Set the inverted "V" hook ends of the ladder onto the platform and let the other end rest on the floor grille.



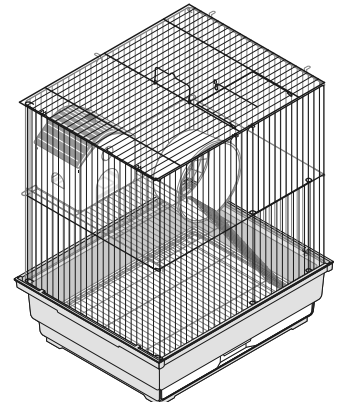
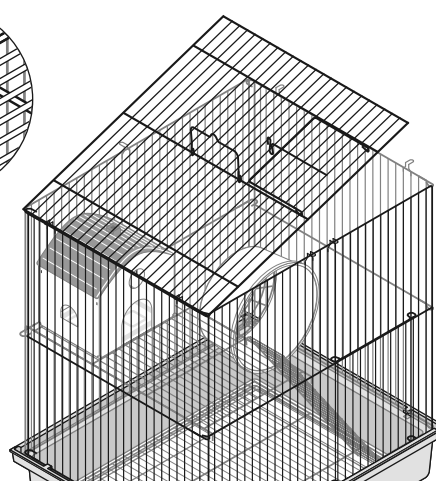
# 4 PIECES



Center the roof on the cage. Starting on one side, catch the outer roof wire under the loops on the side panel. Softly bend the roof mesh to catch the roof line onto the front and back panel loops.



Finish by catching the roof onto the opposite side panel loops.



Assembly completed. ■