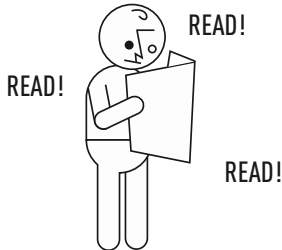


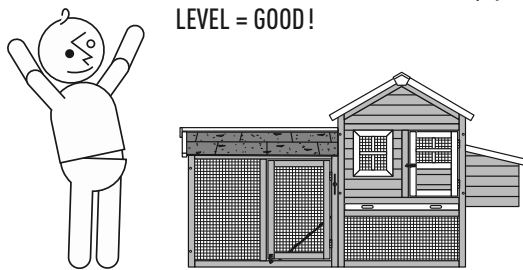
1



READ THESE INSTRUCTIONS!

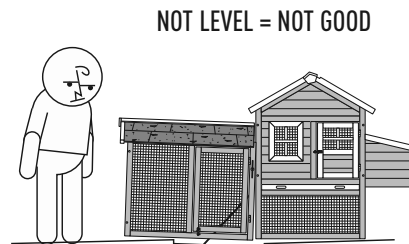
If you've never followed instructions before, this is a good time to start! These tips have been compiled to lead you to a successful assembly. We know you can do this! If you run into trouble, contact our Prevue Customer Service team via email (customerservice@prevuepet.com) or through our website (www.prevuepet.com/page/5/replacement-parts).

2

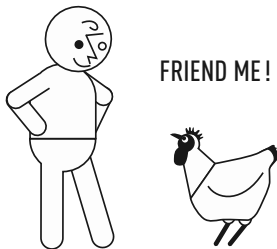


FIND A LEVEL SURFACE

Build your coop on a flat surface and, with a friend, carry it to the location where it will be used. Assembling the coop on the flattest surface available will help you greatly when squaring up panels and aligning the roof panels.



3

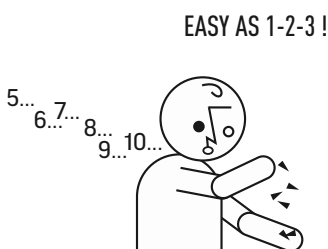


FIND A FRIEND (or GO IT ALONE—both are OK)

If you follow these steps, coop assembly will be easy for one person. But you may find a second person's assistance useful in some steps.

If you have to move the assembled coop to its final location, you will most certainly need assistance to protect the integrity of the structure.

4



COUNT CONTENTS OF HARDWARE PACKETS

After unpacking all components, count the contents of the screw packets. Compare the counts against the Parts List on the next page. There should be at least one spare for each packet. If any packets are short, please contact Prevue or use your own appropriate-size replacements.



For successful assembly of your Chicken Coop with Nest Box

Follow this pecking order

Instructions online at www.prevuepet.com

5



CARE ADVISORIES

For the comfort and health of your chickens, this coop size is most appropriate for 2 to 3 hens.

•

When moving the coop, remember : the ramp is on hinges and will dangle below the base when the coop is lifted off the ground.

CUSTOMER SUPPORT

Please contact Prevue Pet Products:

PHONE 1 (312) 243-3624

ONLINE www.prevuepet.com

EMAIL customerservice@prevuepet.com

These instructions are online, under the item's detail listing at www.prevuepet.com.

To maintain the longevity of your purchase, we recommend that you periodically treat it with a non-toxic sealant and protect it with a tarp or other covering during extended periods of inclement weather.



For more wonderful cages, toys, and accessories for dogs, cats, birds, chickens, rabbits, ferrets and small animals, visit www.prevuepet.com



Chicken Coop with Nest Box PARTS LIST

Instructions online at www.prevuepet.com

CUSTOMER SUPPORT

Please contact Prevue Pet Products:

PHONE 1 (312) 243-3624

ONLINE www.prevuepet.com

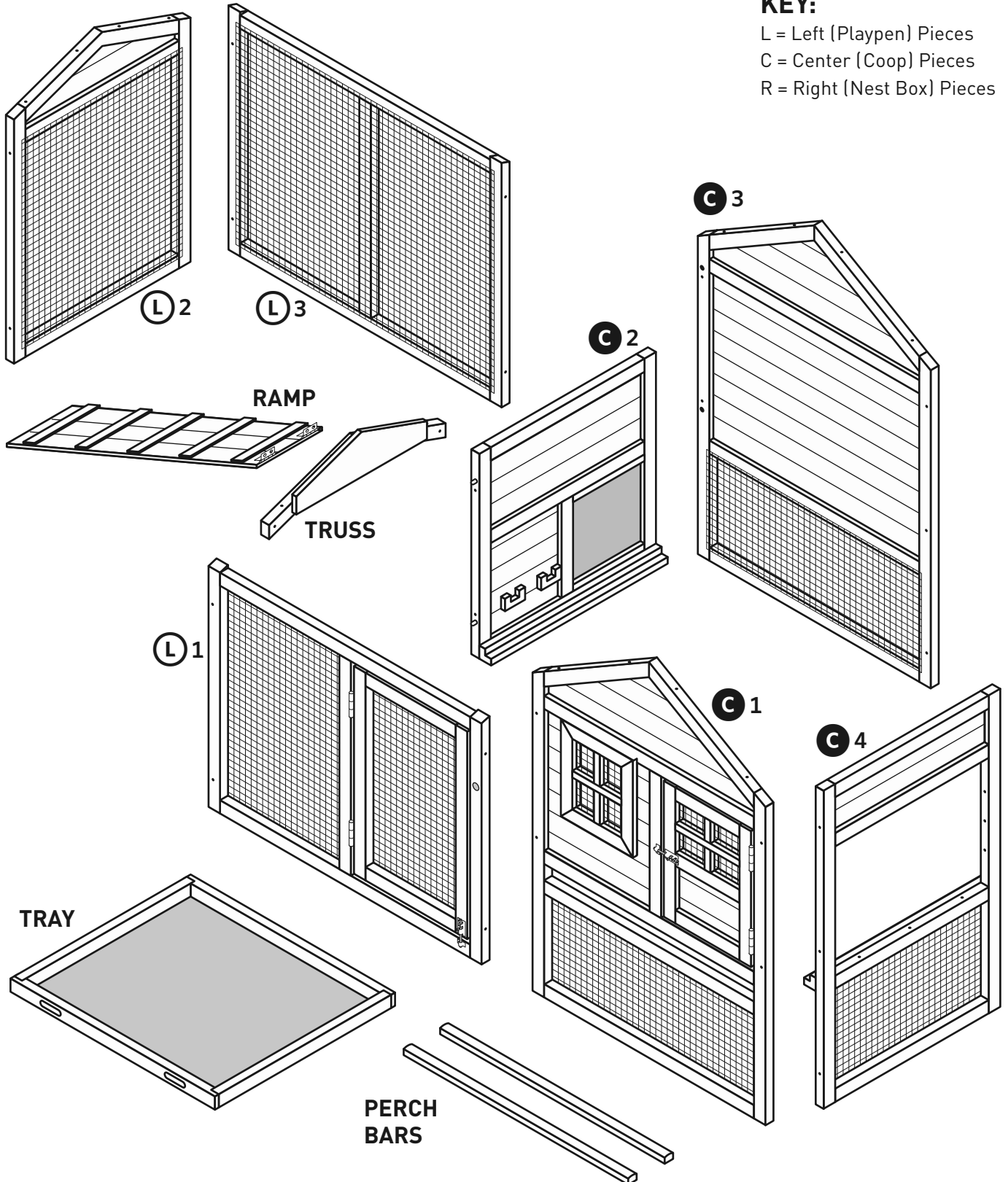
EMAIL customerservice@prevuepet.com

KEY:

L = Left (Playpen) Pieces

C = Center (Coop) Pieces

R = Right (Nest Box) Pieces





Chicken Coop with Nest Box PARTS LIST

Instructions online at www.prevuepet.com

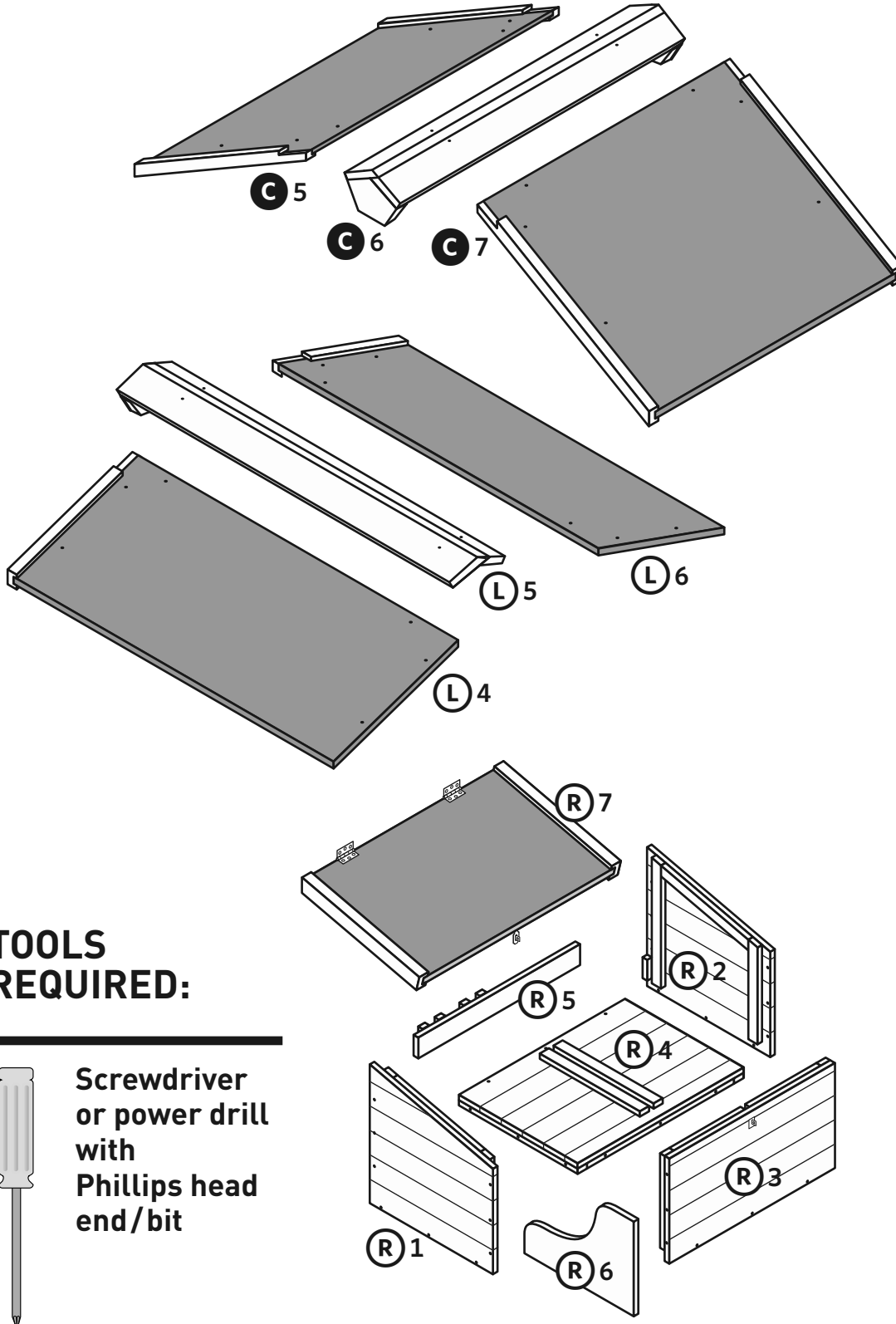
CUSTOMER SUPPORT

Please contact Prevue Pet Products:

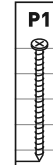
PHONE 1 (312) 243-3624

ONLINE www.prevuepet.com

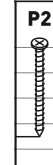
EMAIL customerservice@prevuepet.com



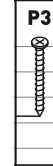
HARDWARE INCLUDED:



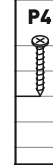
P1
2³/₈" L (60 mm)
4 pcs +1



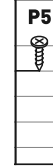
P2
1³/₄" L (45 mm)
14 pcs +1



P3
1³/₈" L (35 mm)
21 pcs +1

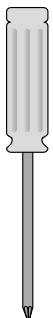


P4
1" L (25 mm)
29 pcs +1



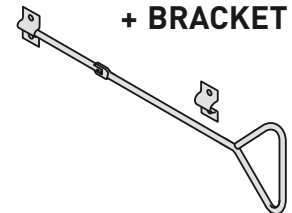
P5
1/2" L (14 mm)
14 pcs +1

TOOLS REQUIRED:



Screwdriver
or power drill
with
Phillips head
end/bit

HANDLE + BRACKET





Chicken Coop with Nest Box ASSEMBLY

Instructions online at www.prevuepet.com

CUSTOMER SUPPORT

Please contact Prevue Pet Products:

PHONE 1 (312) 243-3624

ONLINE www.prevuepet.com

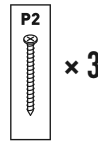
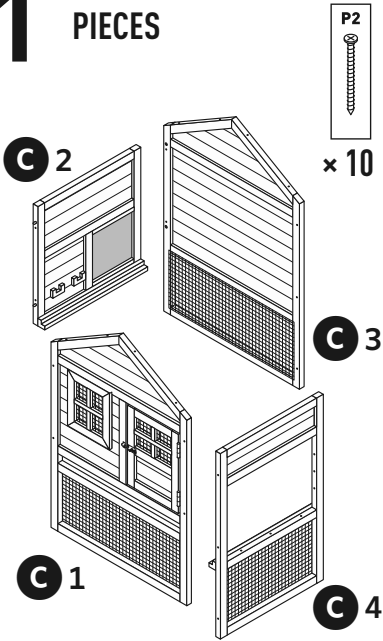
EMAIL customerservice@prevuepet.com

TOOLS NEEDED : Phillips head screwdriver • For best results, follow Assembly Steps in order presented.

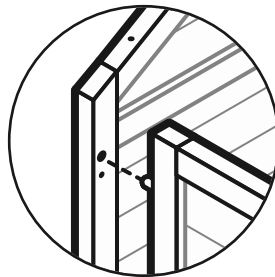
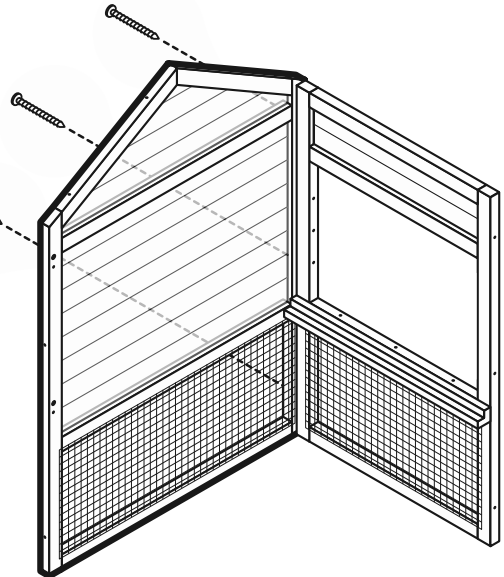
KEY:

- L = Left (Playpen) Pieces
- C = Center (Coop) Pieces
- R = Right (Nest Box) Pieces

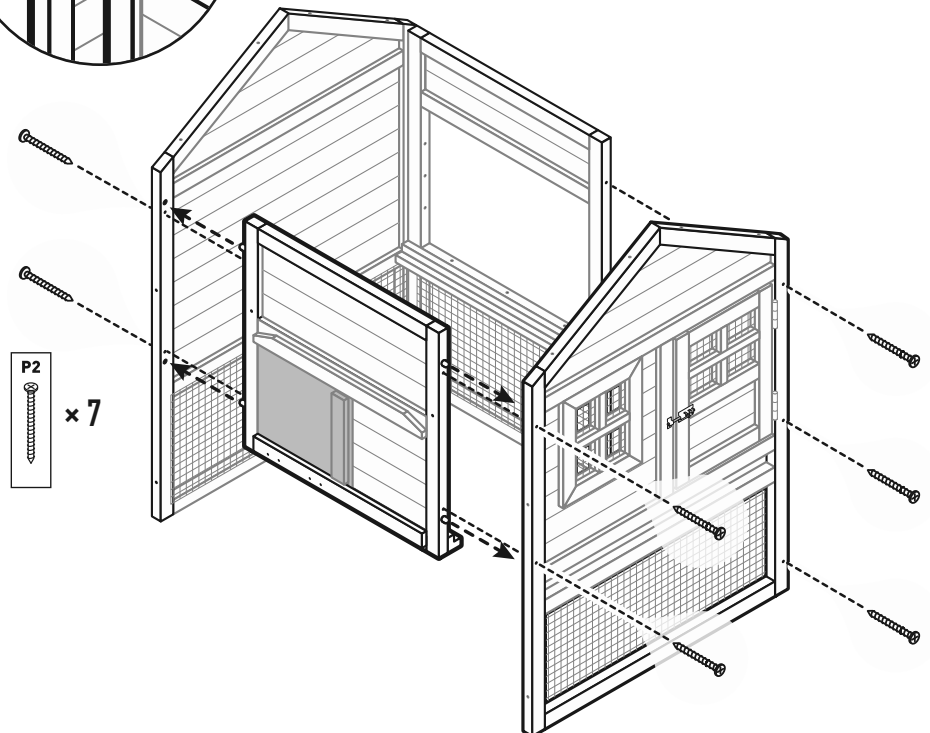
1 PIECES



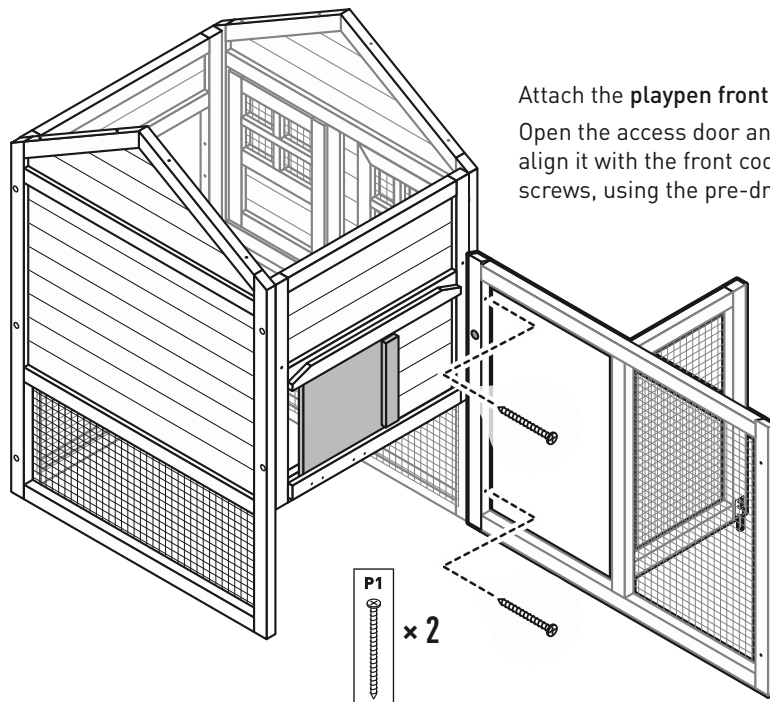
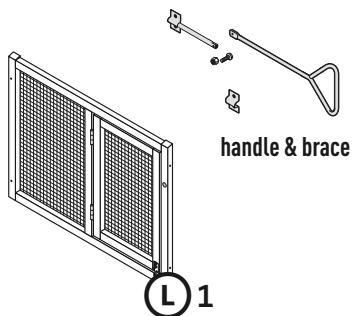
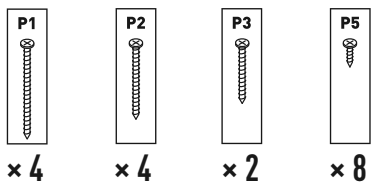
Attach the coop back panel to the right panel with [P2] screws, using the pre-drilled holes as guides.



Align the coop left panel with the back, using the dowel posts as guides. Align and add the front panel. Attach all panels with [P2] screws, using the pre-drilled holes as guides.



2 PIECES

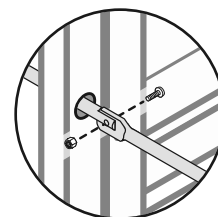
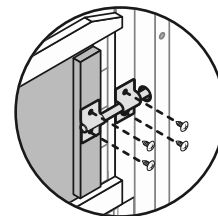
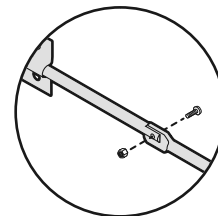
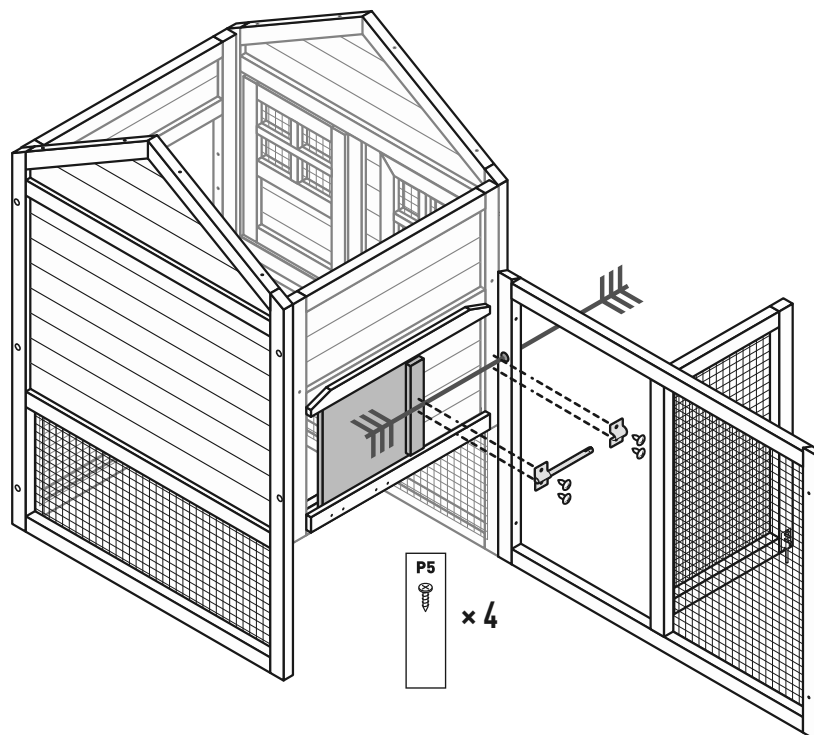


Attach the interior door handle.

Disassemble the handle at the hinge point (*fig.1*). Align the short bracket-ended piece with the hole on the playpen frame. Attach it to the **sliding interior door** with [P5] screws.

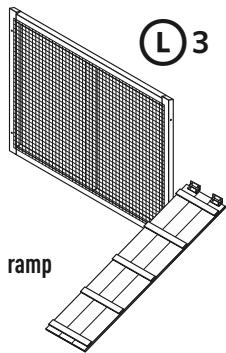
With the rod end of this piece poking through the frame hole, attach the loose bracket to the coop panel frame, using [P5] screws. (*fig.2*)

Pull the handle rod through the hole on the playpen frame, and reassemble the handle. (*fig.3*)



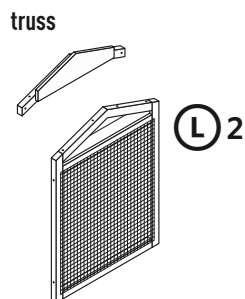
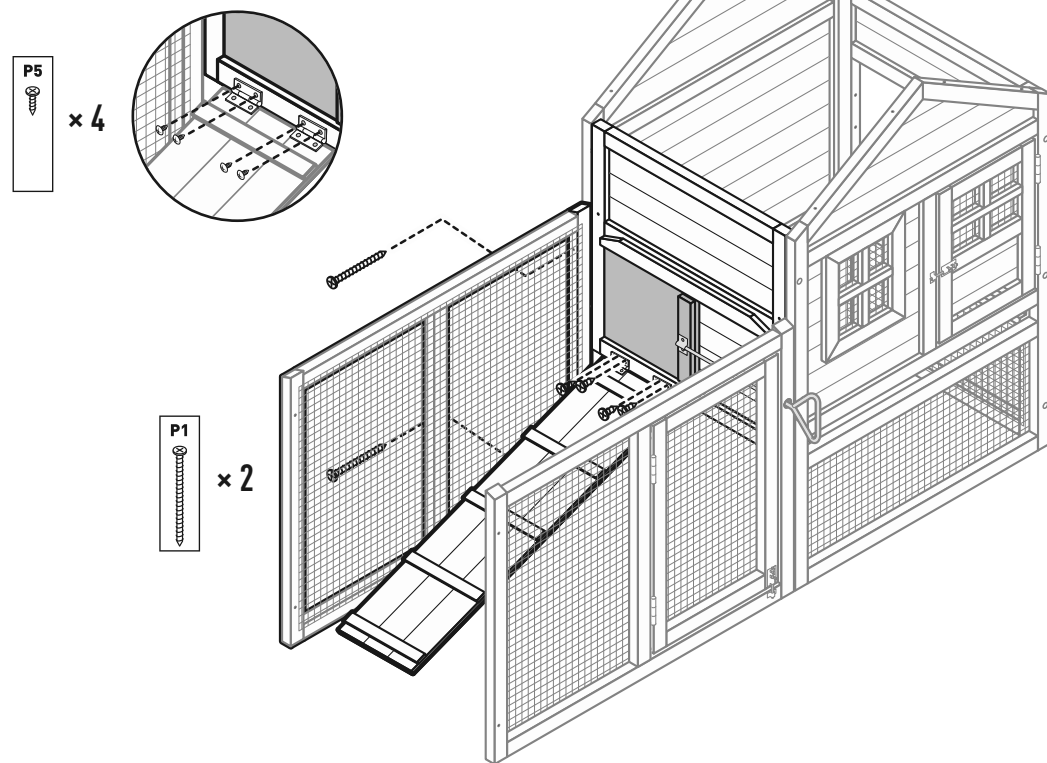
Step 2 continues next page

2 ...continued



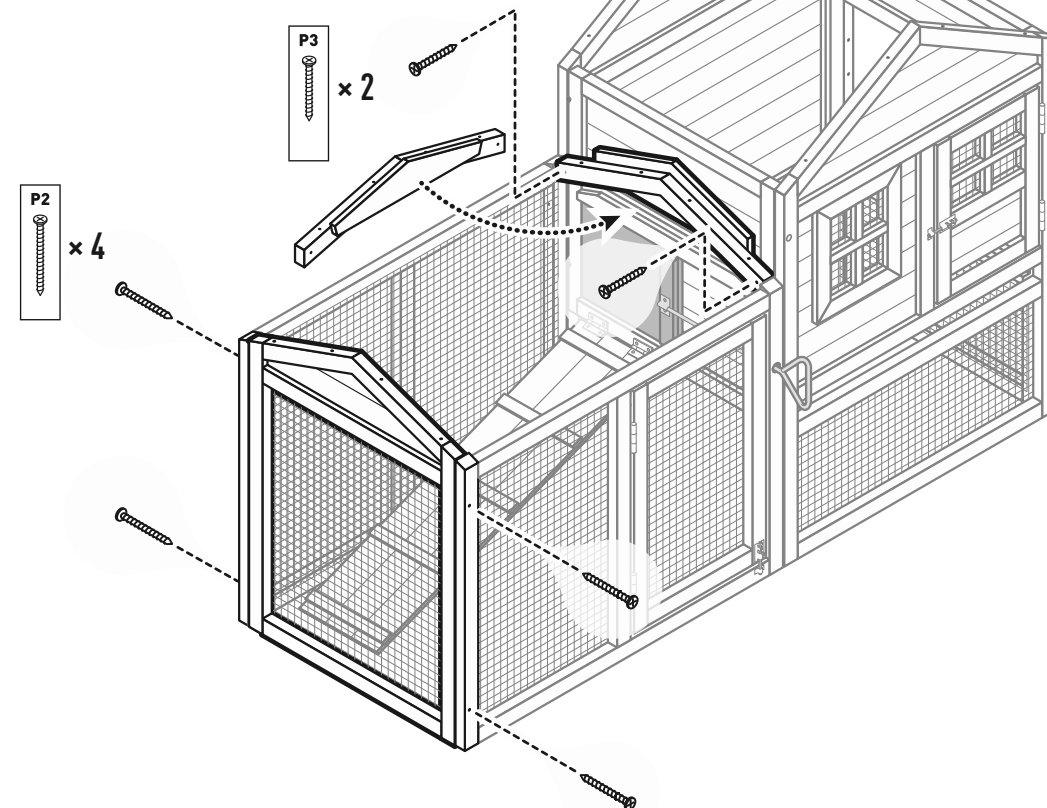
Attach the **ramp** with [P5] screws, using the pre-drilled holes as guides.

Attach the **playpen back panel** with [P1] screws, using the pre-drilled holes as guides.

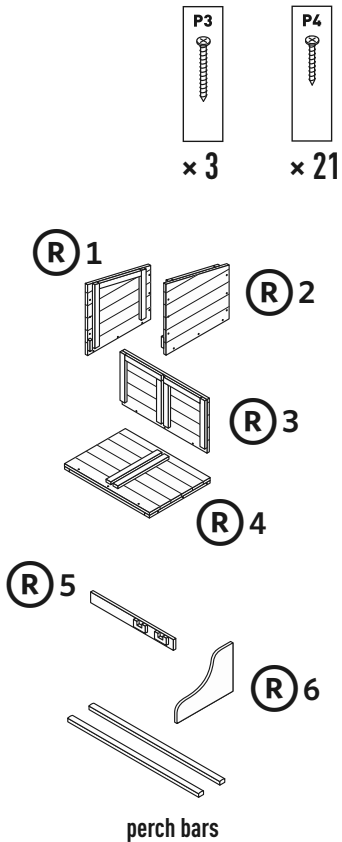


Attach the **roof truss** to the left coop panel with [P3] screws, using the pre-drilled holes as guides.

Attach the **playpen end panel** with [P2] screws, using the pre-drilled holes as guides.



3 PIECES

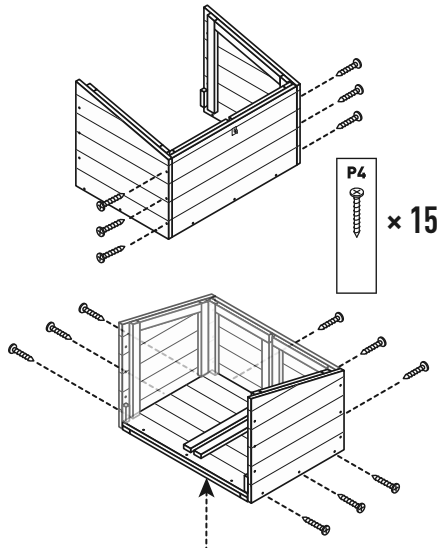


NEST BOX

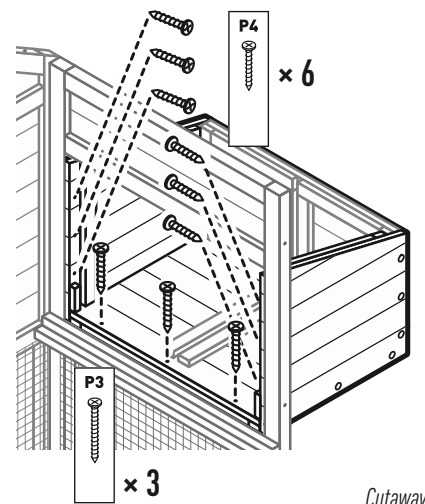
Build the nest box.

Attach with sides to the back with [P4] screws, using the pre-drilled holes as guides.

Insert the floor and attach with [P4] screws, using the pre-drilled holes as guides.



Attach the assembled nest box to the frame with [P4] screws down the sides, and [P3] screws along the bottom edge, using the pre-drilled holes as guides.



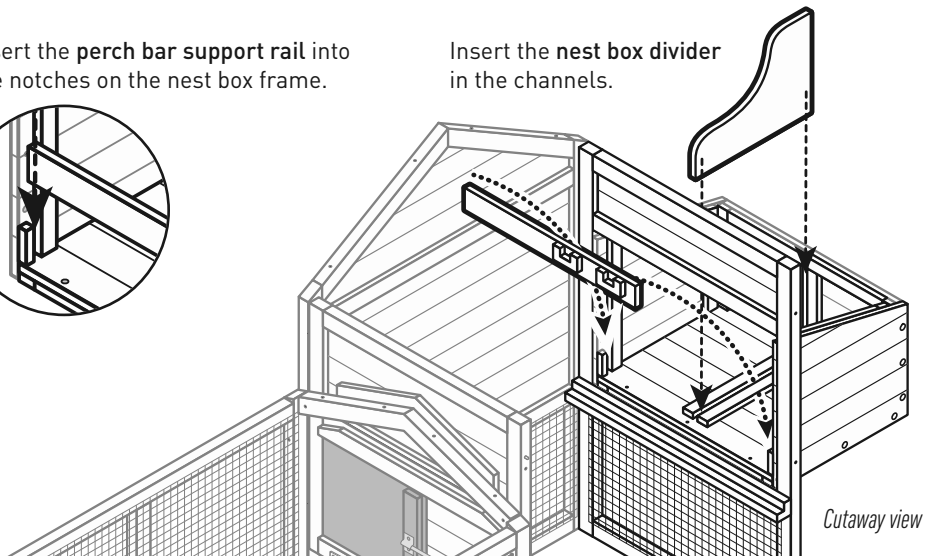
Cutaway view

PERCH BAR SUPPORT RAIL & NEST BOX DIVIDER

Insert the perch bar support rail into the notches on the nest box frame.



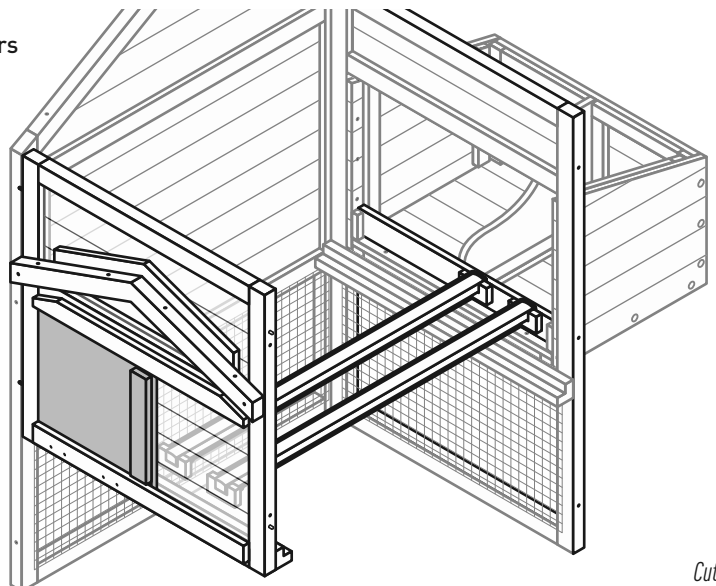
Insert the nest box divider into the channels.



Cutaway view

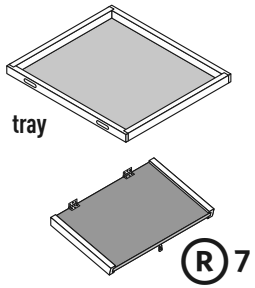
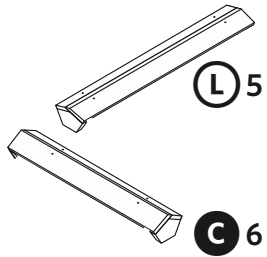
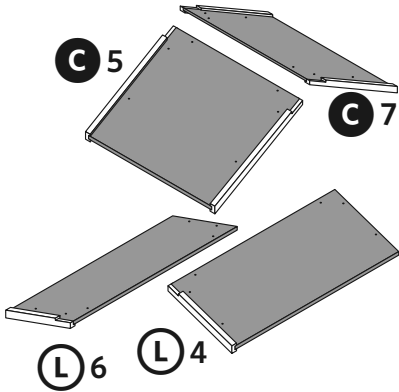
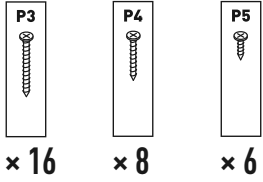
PERCH BARS

Insert the perch bars into the holders.

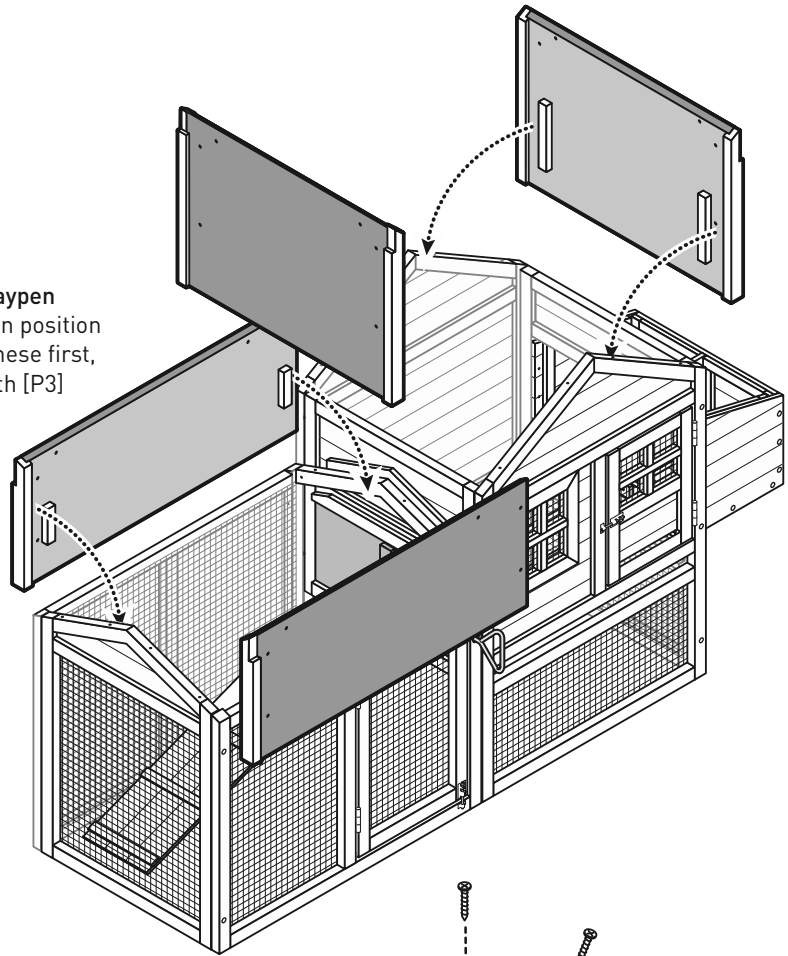


Cutaway view

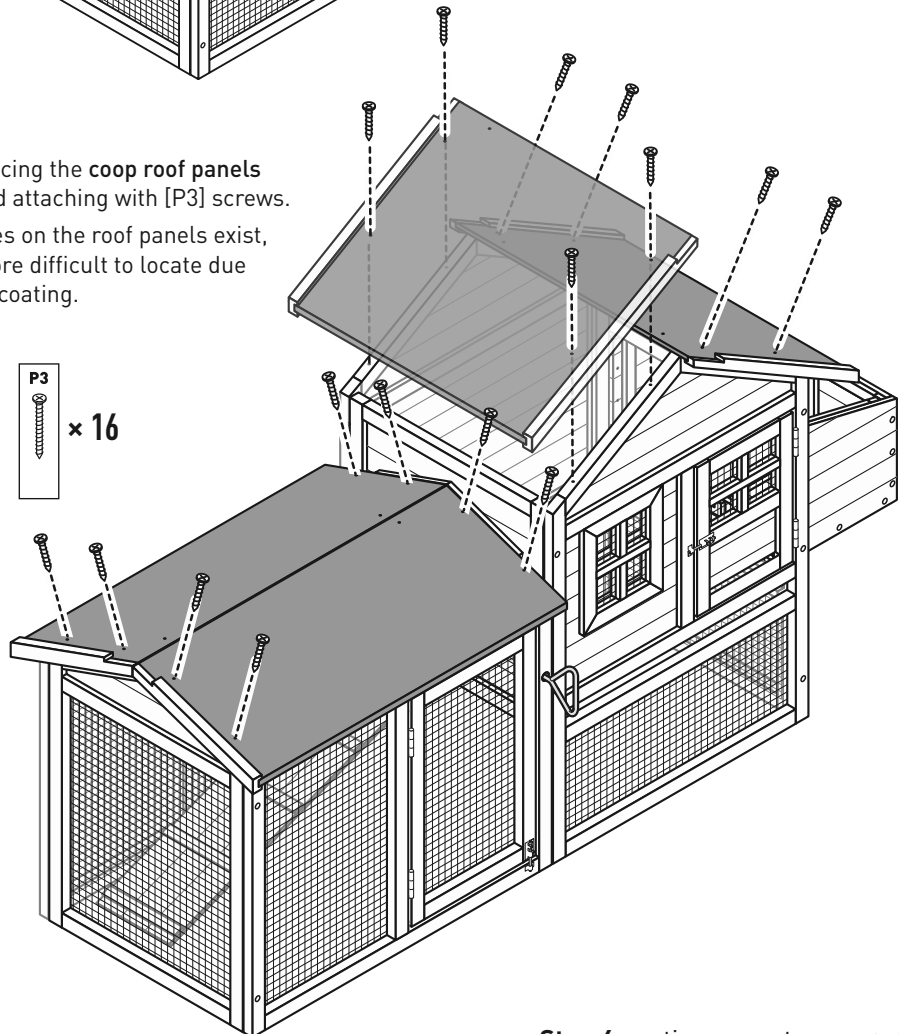
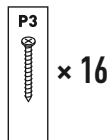
4 PIECES



Place the playpen roof panels in position and install these first, attaching with [P3] screws.

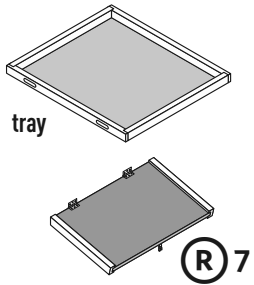
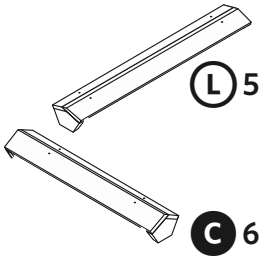


Finish with placing the coop roof panels in position, and attaching with [P3] screws. Predrilled holes on the roof panels exist, but may be more difficult to locate due to the asphalt coating.

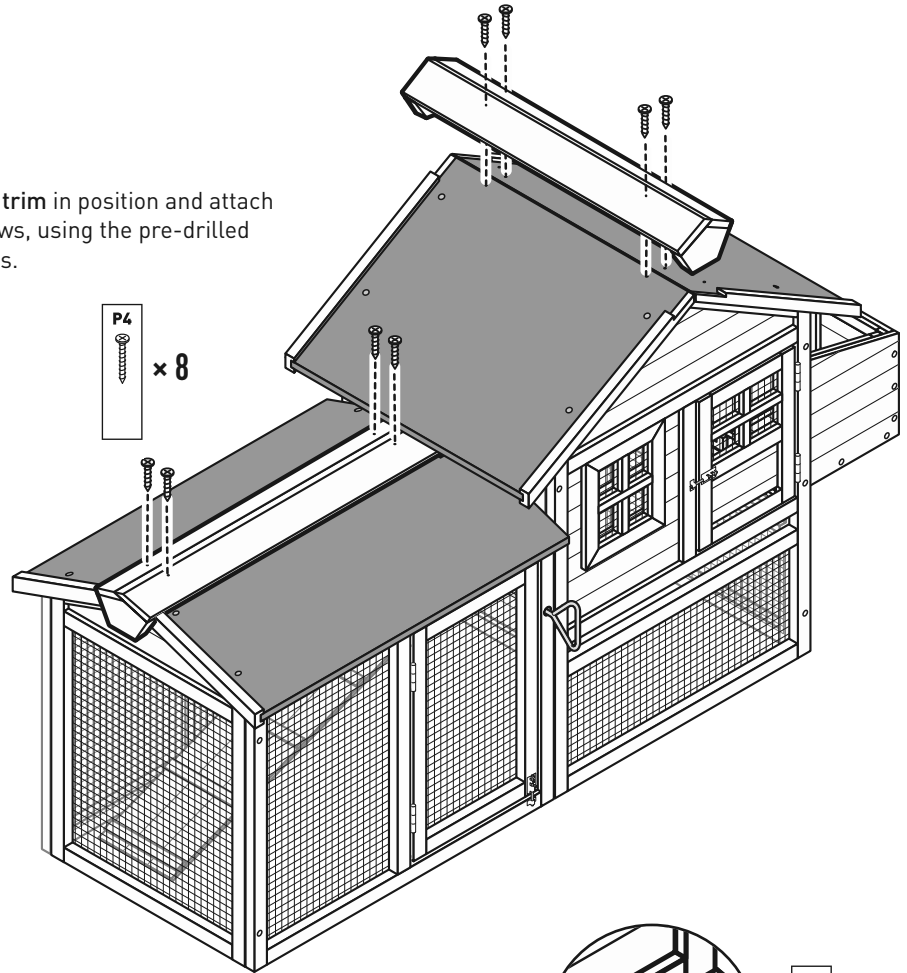


Step 4 continues next page ↘

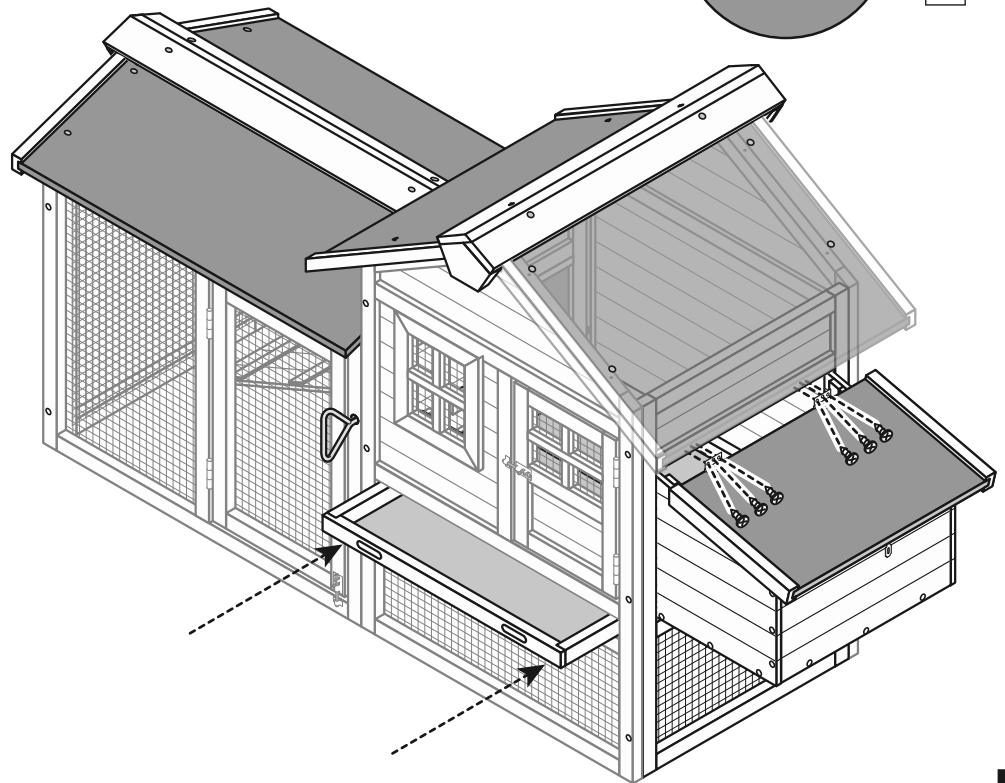
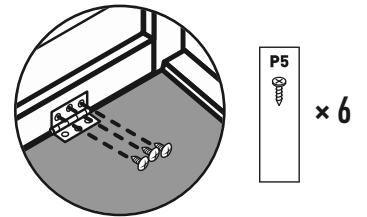
4 ...continued



Place the **roof trim** in position and attach with [P4] screws, using the pre-drilled holes as guides.



Finish the assembly by inserting the tray, and attaching the nest box lid with [P5] screws, using the pre-drilled holes as guides.



Assembly complete.