

Soho Collection Crown Roof Crown Roof

Model: # 41613

Instructions online at www.prevuepet.com

read first REVIEW BEFORE ASSEMBLY

- No tools are required for assembly
- For best results, follow the Steps in the order they are presented

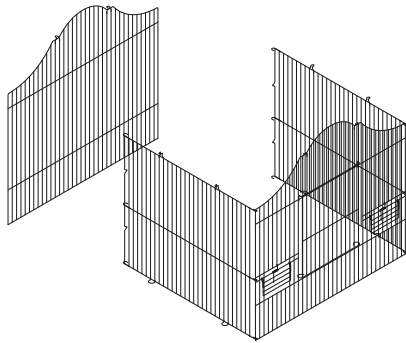
For assistance or replacement parts, please contact Prevue Pet Products:

PHONE 1 (312) 243-3624

ONLINE www.prevuepet.com

EMAIL customerservice@prevuepet.com

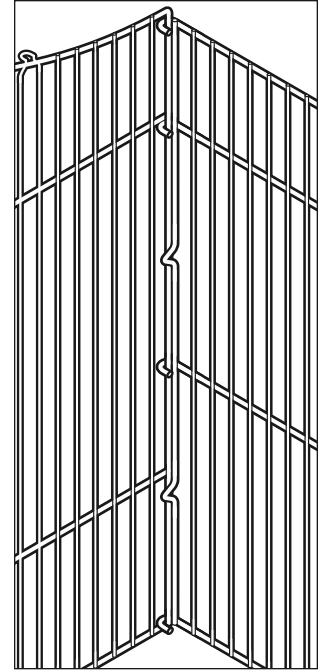
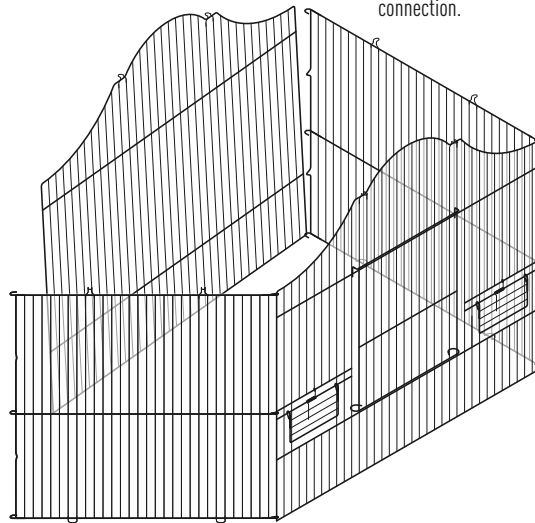
1 To assemble the **CAGE BODY**, you will need these pieces:



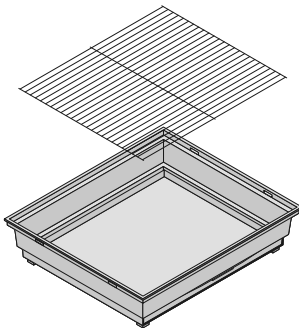
Attach the back panel to the right-side panel: Start in the lower corner. Hook the right-side panel onto the back panel.

Going up the seam, continue catching the hooks around from the outside while keeping the notched portion of the wire to the interior of the cage.

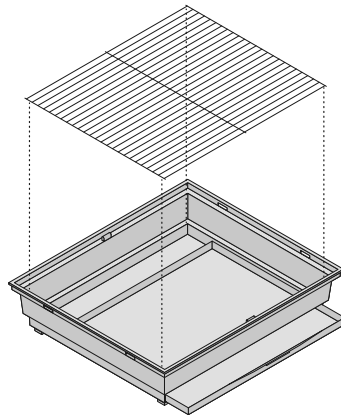
Repeat the method for the other side-to-back connection.



2 To add the mesh body to the **BASE**, you will need these pieces:



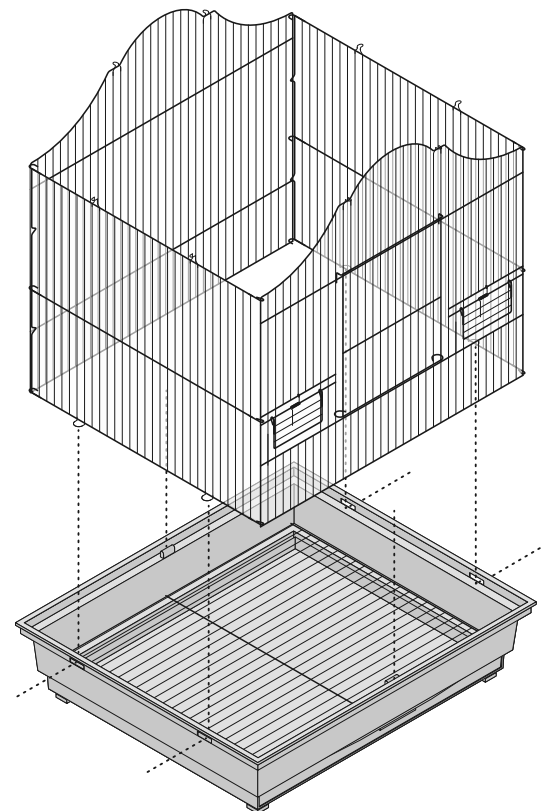
Set the grille into the base. Push the tray into the base.



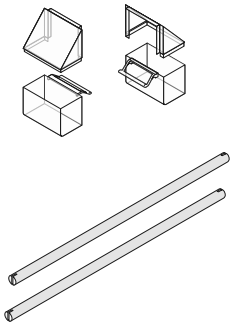
Set the assembled mesh into the base.

Guide the lower loops on the side panels into the holes along the rim of the base.

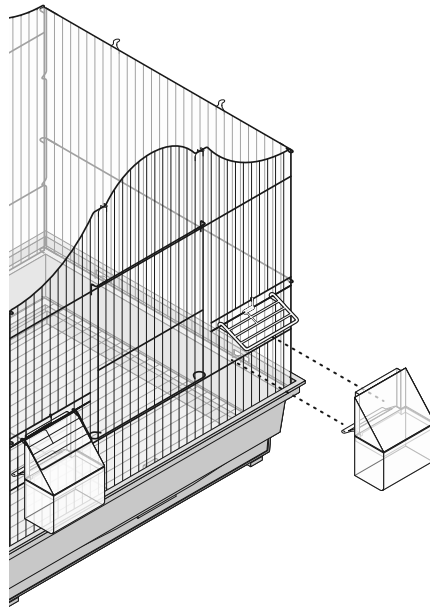
Guide the front and back panels between the outer rim and the inner raised tab.



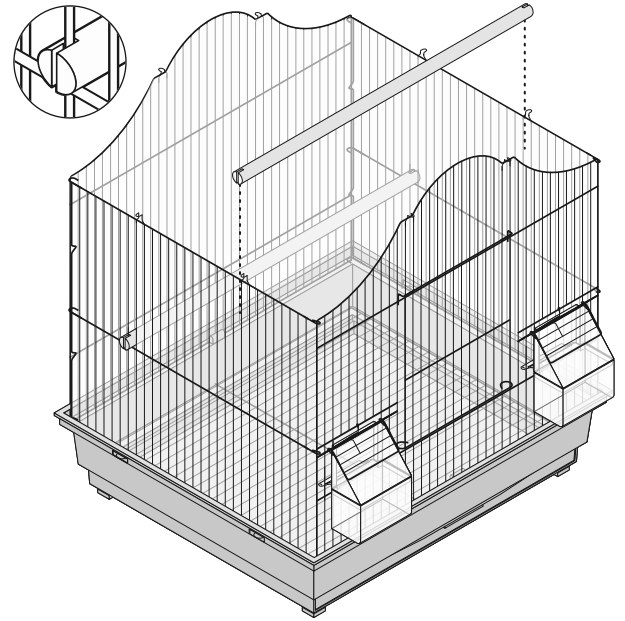
3 To add the **ACCESSORIES**, you will need these pieces:



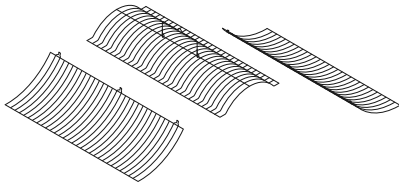
Assemble the two-piece cups. Carefully lift the snap-hinge cup doors and insert the cups.



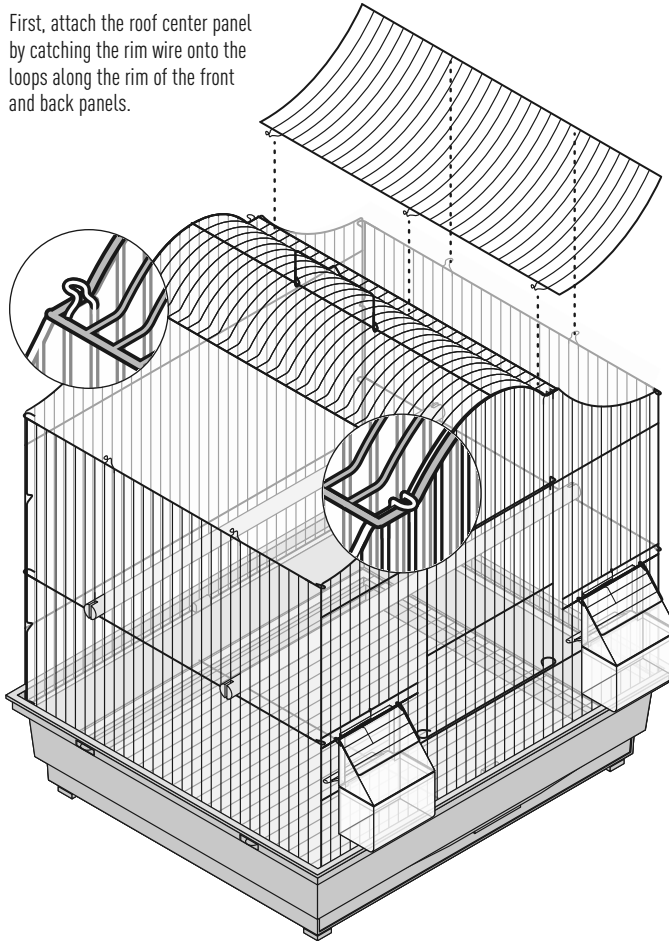
Insert the perches on a vertical wire, and resting on a horizontal wire for stability.



4 To add the **ROOF**, you will need these pieces:



First, attach the roof center panel by catching the rim wire onto the loops along the rim of the front and back panels.



For both roof side panels: Catch the inside edge loops onto the roof center panel. Catch the outside rim wire on the loops along the rim of the side panels.

