



# Stainless Steel Playtop Home PARTS LIST

Instructions online at [www.prevuepet.com](http://www.prevuepet.com)

## CUSTOMER SUPPORT

For assistance or replacement parts, please contact Prevue Pet Products:

**PHONE** 1 (312) 243-3624

**ONLINE** [www.prevuepet.com](http://www.prevuepet.com)

**EMAIL** [customerservice@prevuepet.com](mailto:customerservice@prevuepet.com)

## KEY:

PT = Playtop Components

B = Back panel

LS = Left Side panel

G = Grille

T = Tray

R = Roof grille

F = Front panel

RS = Right Side panel

C = Casters

## HARDWARE INCLUDED:



**Phillips-head Screw**  
**18 pieces** (installed in place on panels)



**Hex Screw**  
**4 pieces** (installed in place on playtop bar and cage frame)



**Knob**  
**4 pieces** (installed in place on cage & playtop bar)



**C**  
**Caster**  
**4 pieces**

**Plus bagged extras:**  
hardware & duplicate screws

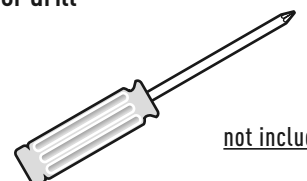
## TOOLS REQUIRED:

Hex Key

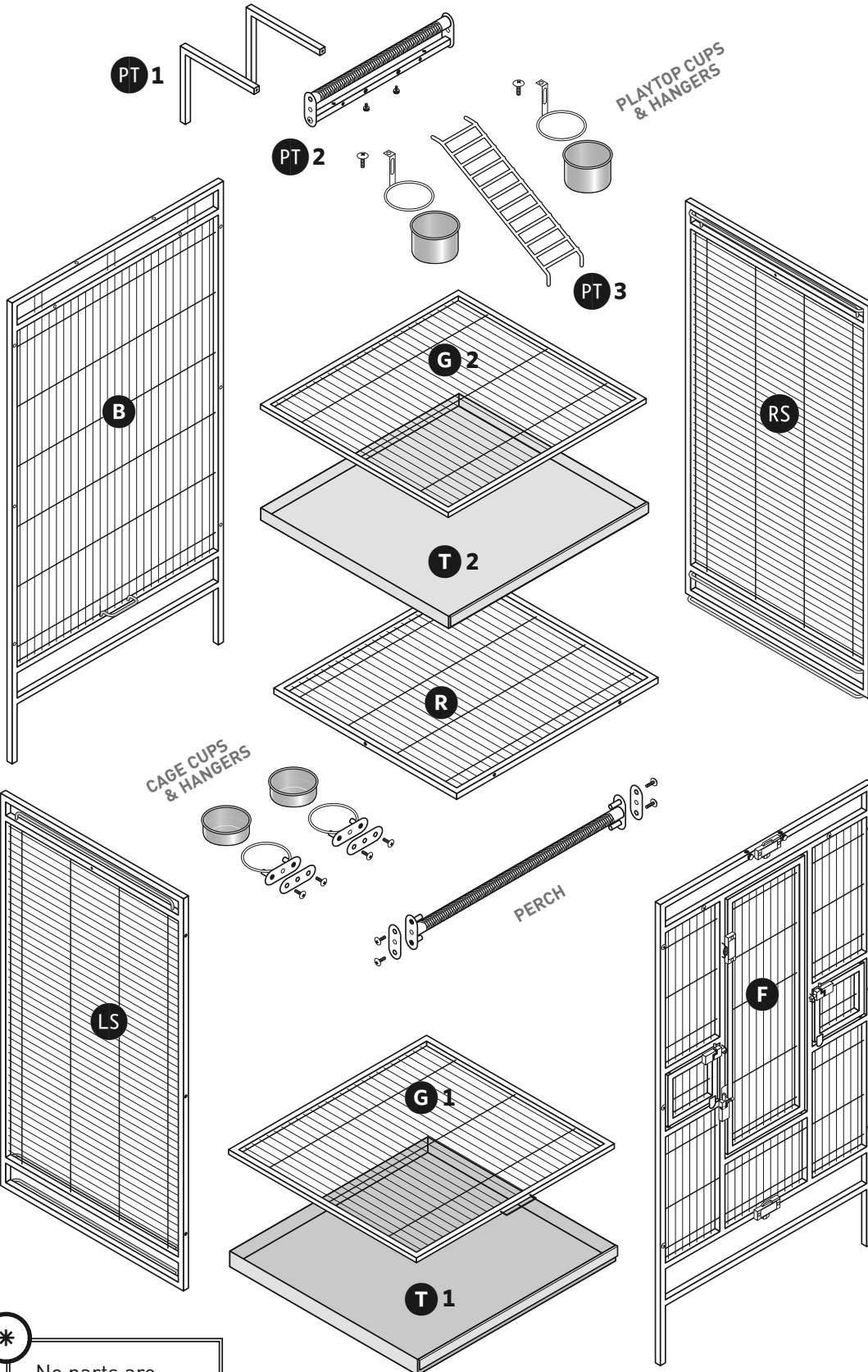


included

**Phillips-head screwdriver or drill**



not included



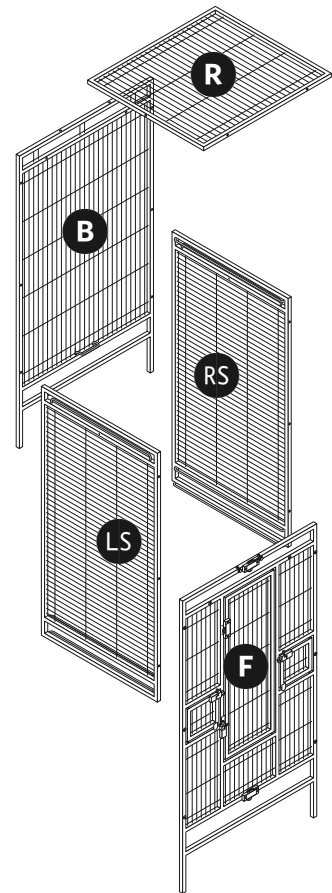
\*  
No parts are interchangeable.


**TOOLS NEEDED** : Phillips-head screwdriver • For best results, follow Assembly Steps in order presented.

**KEY:**

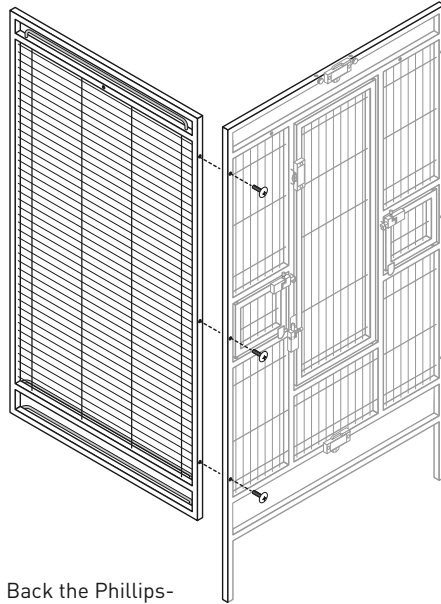
- |                         |                       |
|-------------------------|-----------------------|
| PT = Playtop Components | G = Grille            |
| B = Back panel          | T = Tray              |
| F = Front panel         | R = Roof grille       |
| LS = Left side panel    | RS = Right side panel |
|                         | C = Casters           |

**1** PIECES

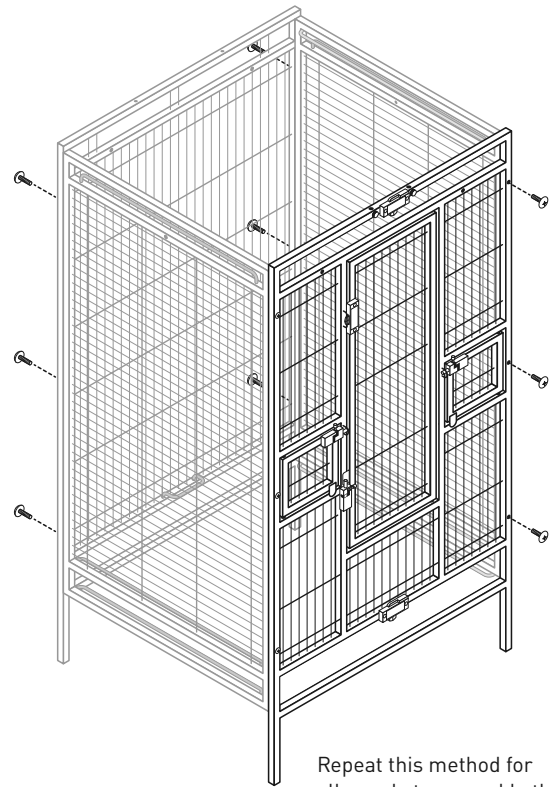


\* In most cases, we recommend two people assemble this cage. 

\* Screws are installed in place. When attaching panels or components, back the screw out, match up the components, and reinsert to attach.



Back the Phillips-head screws out of where they are installed. Align the **side panel** with the **front panel**, and re-tighten the screws to attach the panels together.

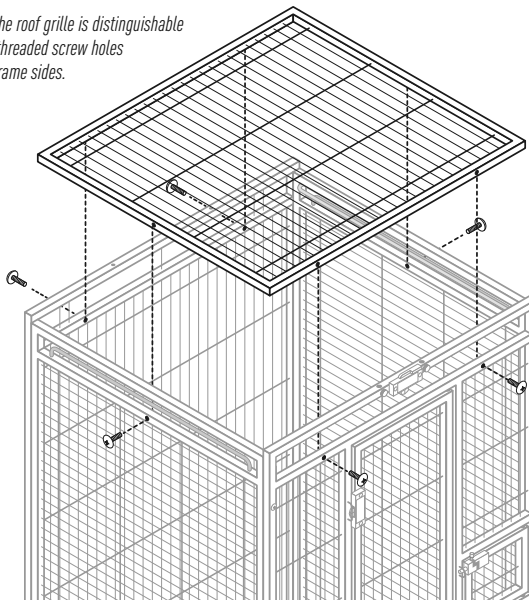


Repeat this method for all panels to assemble the complete cage body.

*Note: The roof grille is distinguishable by the threaded screw holes on all frame sides.*

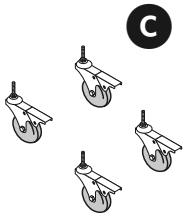


*Note: On the back panel, the small loop should face the interior. This loop helps hold the bottom grille in place.*

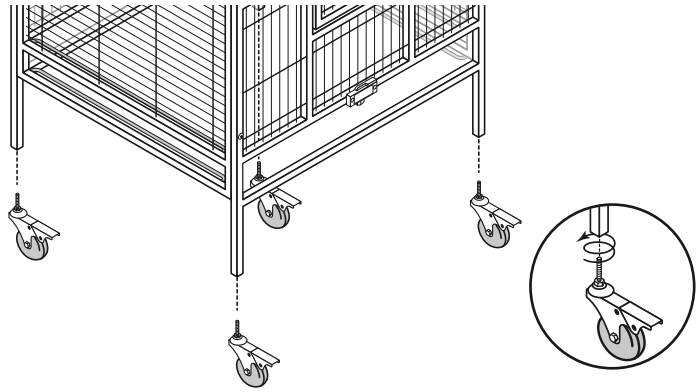


Set the **cage roof grille** in position and attach with Phillips-head screws.

## 2 PIECES

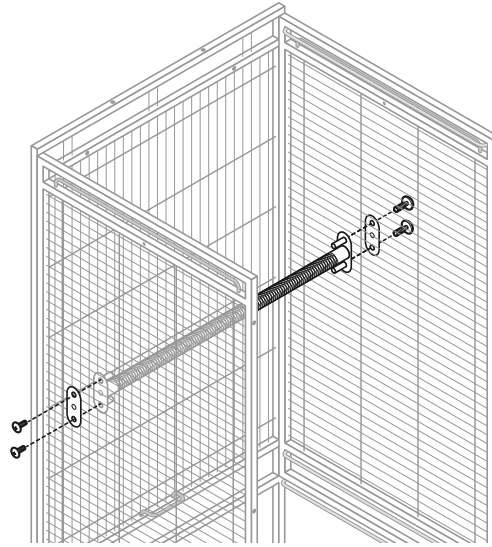
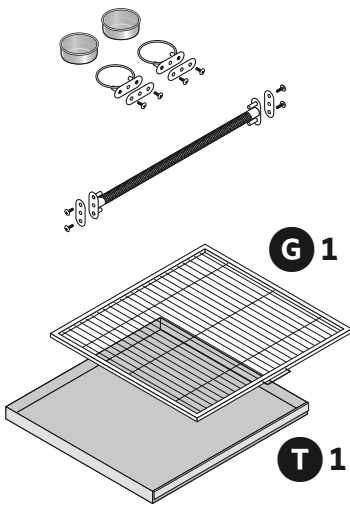


While the lockable rolling casters may be added at any point in the assembly, we recommend installing them at this time.



Screw the threaded caster post into the frame leg at each corner. If preferred, tighten each caster by the base nut with a slim wrench.

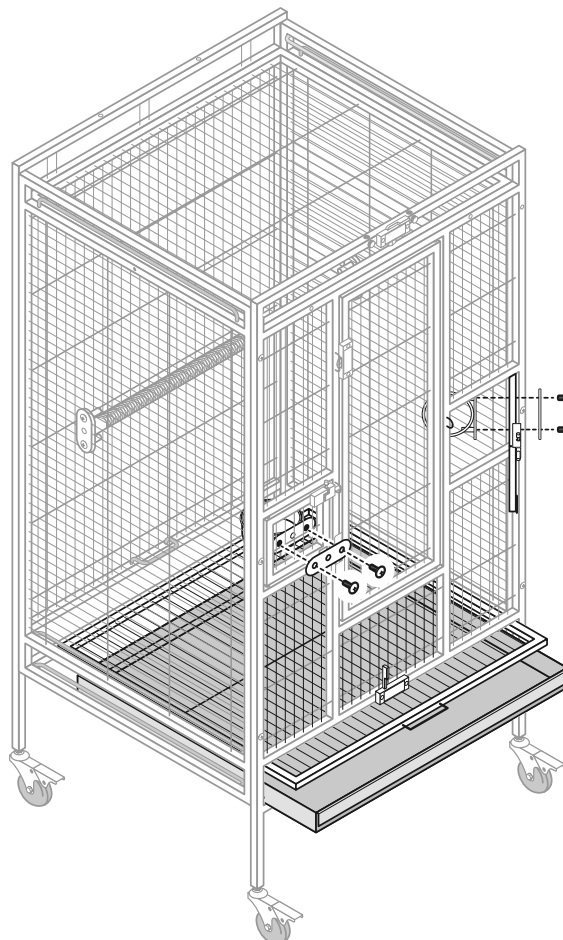
## 3 PIECES



### Perch:

Hold the perch in place in the cage interior. On the exterior, align a Phillips-head screw through the bracket, between cage wires, into the perch bracket. Tighten.

Requires all four of the screws be installed to anchor the perch bar securely.



### Cups/cup holders:

Open the cup door.  
Hold the cup holder against the interior-side door mesh and screw the single bracket to the holder from the exterior-side.

Place a cup into the holder.

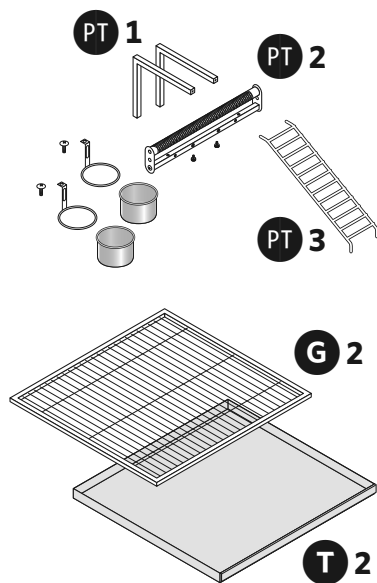
Repeat the assembly for the other cup.



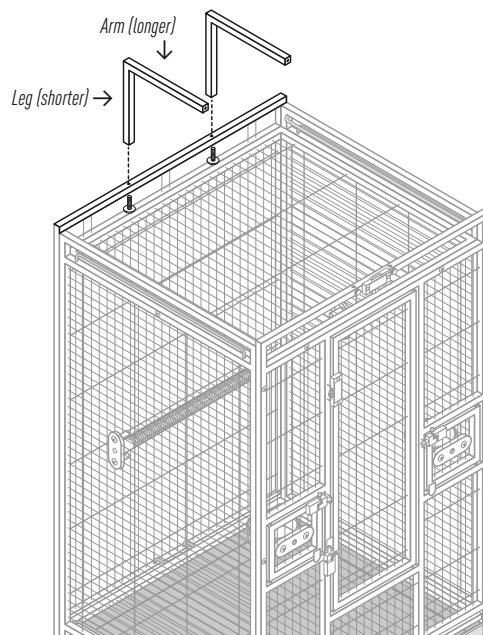
### Grille and tray:

Open the grille lock.  
Slide the grille (with handle) into the top channel and the deep tray into the bottom channel.

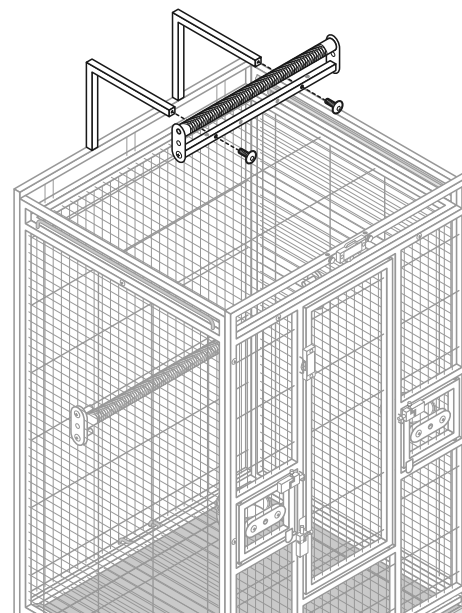
# 4 PIECES



Remove the hex screws from the ends of the perch bar supports. Install the **perch bar supports** on the back panel of the cage.

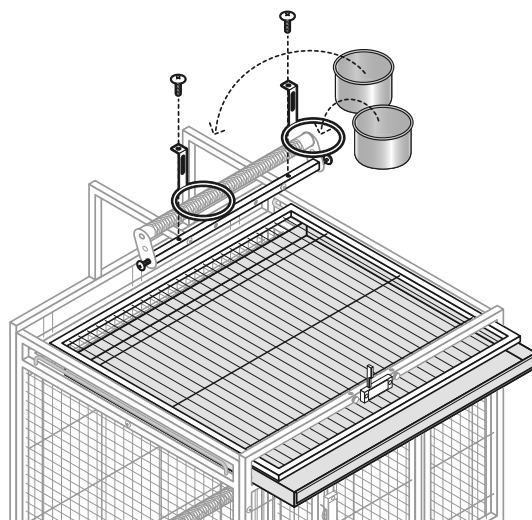


Attach the **perch bar unit** to the support rails with hex-head screws.

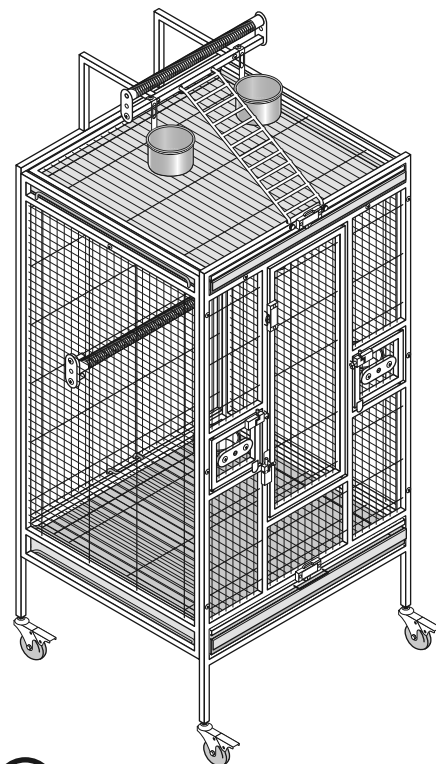
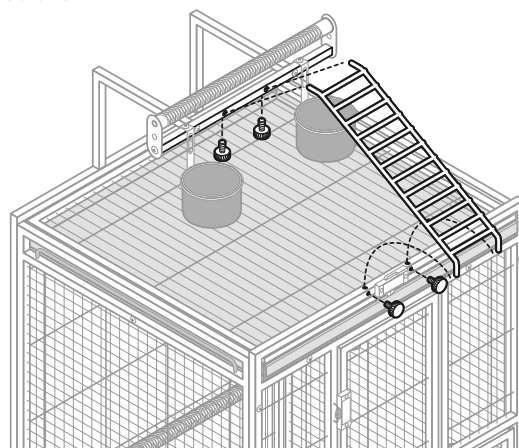


Loosen the perch brace screws and tilt the perch back. Install the cup holder brackets using Phillips-head screws. Rotate the perch back in place and retighten the brace screws. Insert the **food/water cups**.

Open the grille lock. Slide the **thin grille** into the top channel and the **shallow tray** into the bottom channel.



Loosen the knob screws on the perch bar rail and along the cage front. Insert the **ladder** and re-tighten the knob screws.



\* When fully assembled, check and tighten ALL screws over the entire cage to ensure a safe and stable home.

Assembly completed. ■