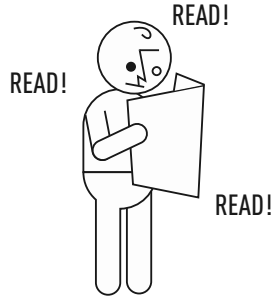


Follow this flight path

1

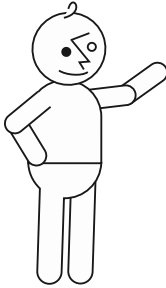


READ THESE INSTRUCTIONS!

Follow the enclosed Assembly Steps for a successful outcome. If you still have questions, we're here to help. Please contact our Prevue Customer Service team via email at :

customerservice@prevuepet.com

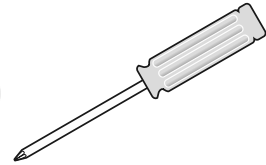
2



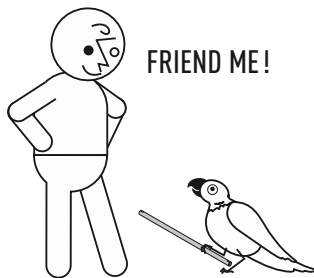
HELPFUL TOOLS

The entire cage can be assembled with a **phillips-head screw driver**, which is not included.

NEEDED



3



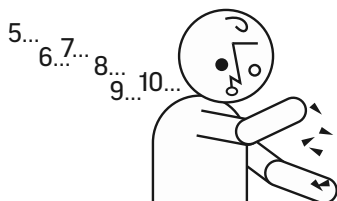
FIND A FRIEND

A second person's assistance is a necessity during several stages of assembly. Look for this symbol:



4

EASY AS 1-2-3!



REVIEW ALL PARTS & HARDWARE

After unpacking all components, review all parts against these instructions. All screws are in place on cage frames and components, and will need to be removed before attaching panels and components. Extra/spare screws have been included separately.

Please contact Prevue if any problems or issues arise.

5



CARE FOR BIRDS

CAGE PLACEMENT

Place the cage away from drafts and drafty areas and away from harsh or direct sun. Keep the cage away from strong fumes and odors.

ACTIVITY TOYS

Activity toys are vital for maintaining a bird's mental and physical well-being. Select a variety of toys to meet different instinctual activities — foraging & engagement, preening & pacification, physical & mental, and sound & movement.

Regularly rotate new and familiar toys through the cage. Do not overcrowd the cage environment. Periodically supervise birds at play and inspect toys for replacement or replenishment.

Prevue offers a wide range of activity toys in all shapes, textures and colors for birds of all sizes.

ACCESSORIES

Add or upgrade accessories to promote well-being:

- add variable-shape perches for foot health
- use cage covers to quiet and calm birds at night
- add cuttlebones and mineral blocks for beak and nail grooming

More ideas and useful accessories for birds and their cage environment can be found at www.prevuepet.com.

TRAVEL CARRIERS

Always keep an appropriate size travel carrier on hand for emergencies, travel or temporary housing when cleaning the cage. Prevue has several carrier options available — from softcase to steel.

PREVUE PET PRODUCTS

PHONE 1 (312) 243-3624

ONLINE www.prevuepet.com

EMAIL customerservice@prevuepet.com

These instructions are online at www.prevuepet.com.



For more wonderful cages,
toys, and accessories for birds,
cats, chickens, rabbits, ferrets,
dogs and small animals, visit
www.prevuepet.com



Imperial Stainless Steel Cage PARTS LIST

Instructions online at www.prevuepet.com

CUSTOMER SUPPORT

For assistance or replacement parts, please contact Prevue Pet Products:

PHONE 1 (312) 243-3624

ONLINE www.prevuepet.com

EMAIL customerservice@prevuepet.com

KEY:

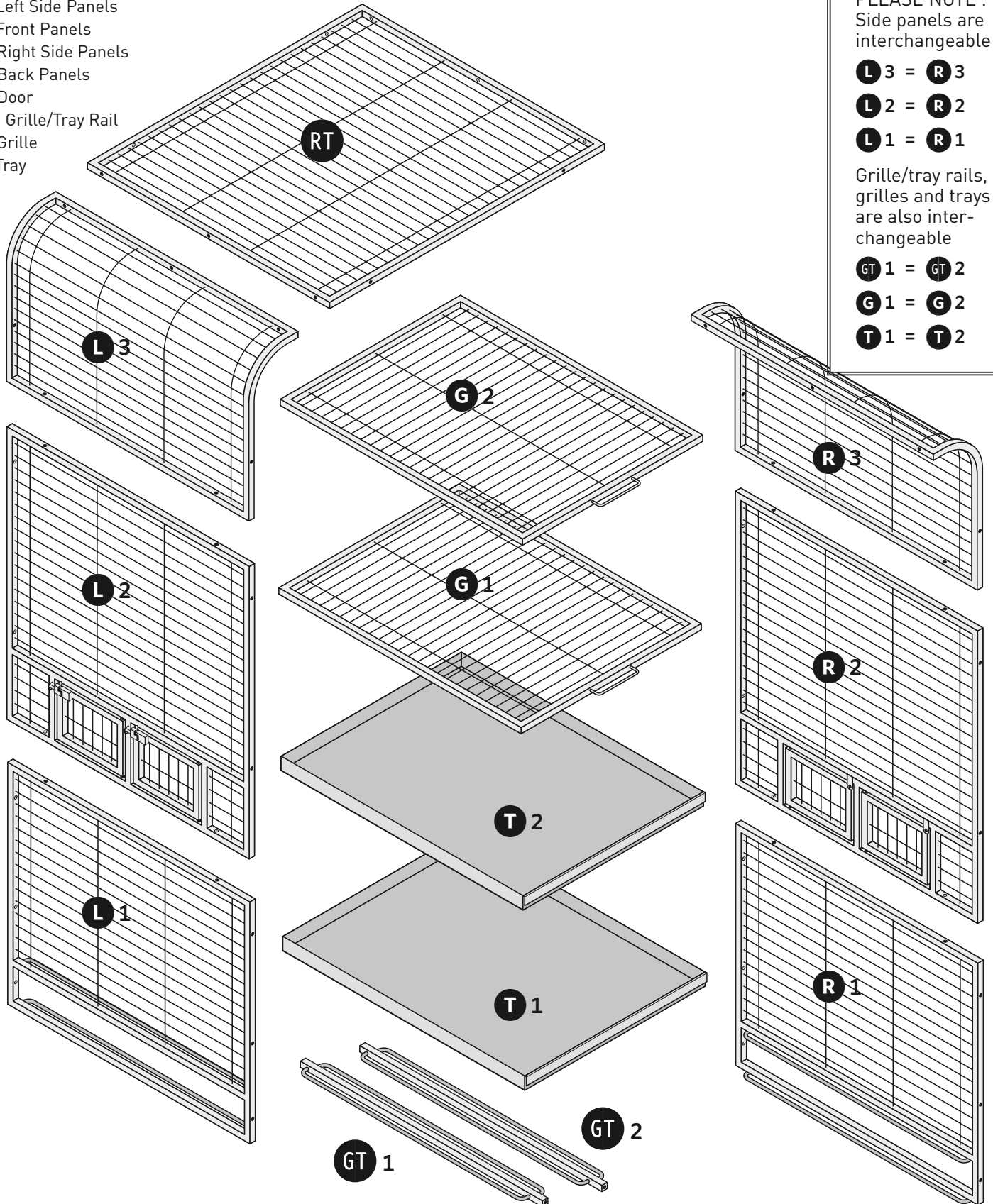
- RT = Roof Top
- L = Left Side Panels
- F = Front Panels
- R = Right Side Panels
- B = Back Panels
- D = Door
- GT = Grille/Tray Rail
- G = Grille
- T = Tray

***** PLEASE NOTE :
Side panels are interchangeable

L 3 = R 3
L 2 = R 2
L 1 = R 1

Grille/tray rails, grilles and trays are also interchangeable

GT 1 = GT 2
G 1 = G 2
T 1 = T 2





Imperial Stainless Steel Cage PARTS LIST

Instructions online at www.prevuepet.com

CUSTOMER SUPPORT

For assistance or replacement parts, please contact Prevue Pet Products:

PHONE 1 (312) 243-3624

ONLINE www.prevuepet.com

EMAIL customerservice@prevuepet.com

HARDWARE INCLUDED:

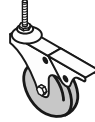
Long Screws
1/4" x 1 3/16"
60 pcs + 5



Short Screws
3/16" x 1 3/16"
16 pcs + 2

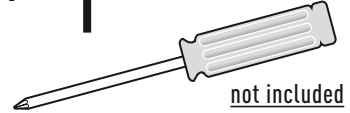


Caster
4 pieces

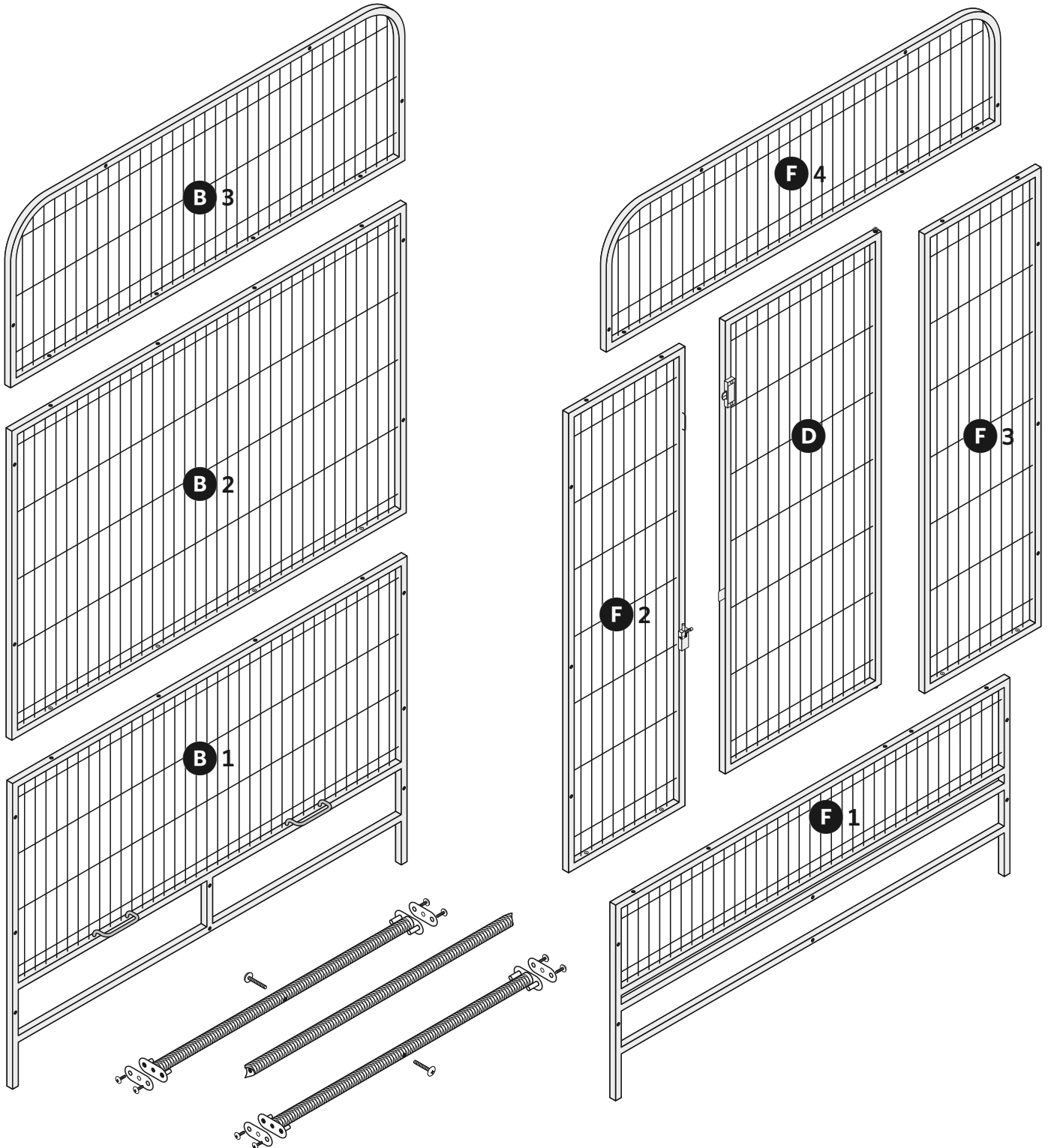


TOOL REQUIRED:

Phillips-head screwdriver or drill



not included





Imperial Stainless Steel Cage ASSEMBLY

Instructions online at www.prevuepet.com

CUSTOMER SUPPORT

For assistance or replacement parts, please contact Prevue Pet Products:

PHONE 1 (312) 243-3624

ONLINE www.prevuepet.com

EMAIL customerservice@prevuepet.com

TOOLS NEEDED : Phillips-head screwdriver • For best results, follow Assembly Steps in order presented.

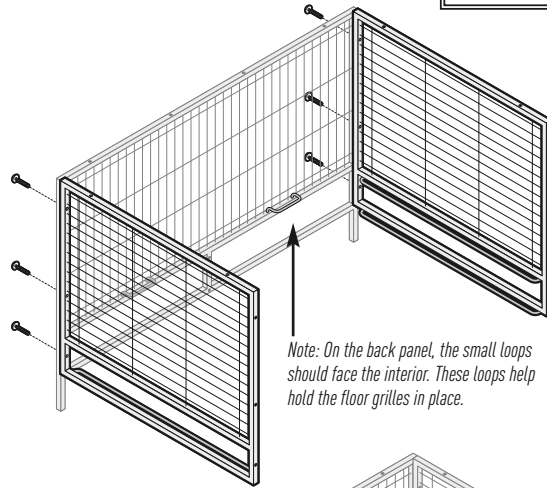
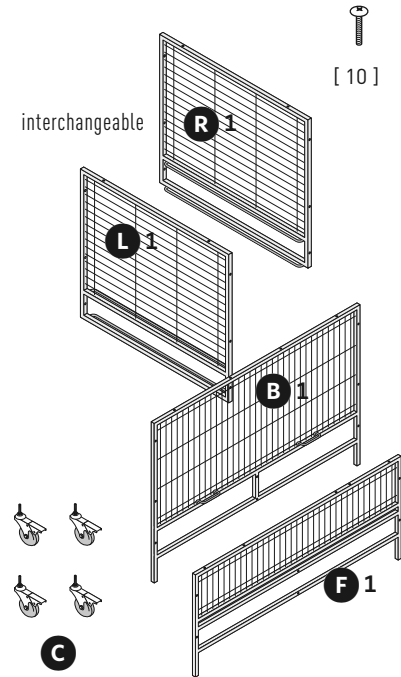
* In most cases, we recommend two people assemble this cage.



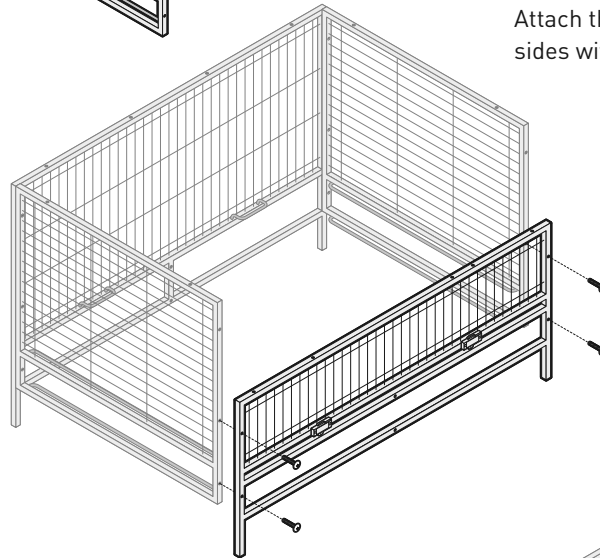
* Screws are installed in place. When attaching panels or components, remove the screws, match up the components, and reinsert to attach.

- KEY:**
- F = Front Panels
 - B = Back Panels
 - L = Left Side Panels
 - R = Right Side Panels
 - RT = Roof Top
 - D = Door
 - GT = Grill/Tray Rail
 - G = Grille
 - T = Tray

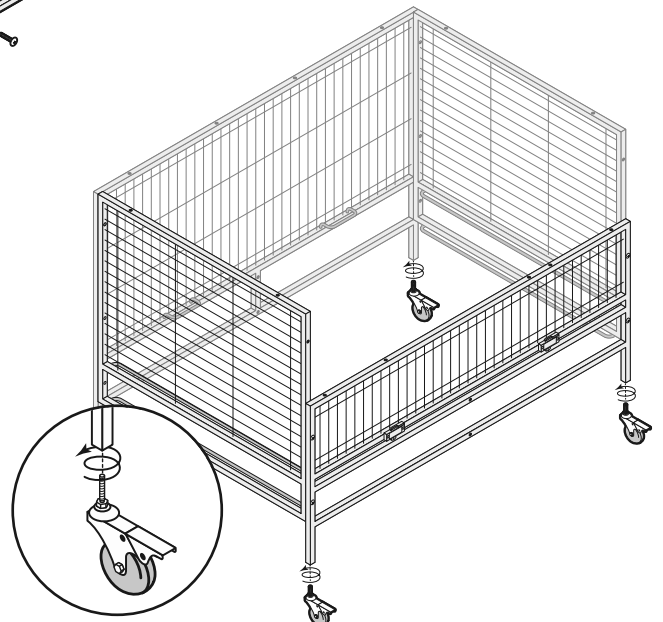
1 PIECES



Remove all the Phillips-head screws from the lower side panels. Align the lower back panel with the side panels (panels meet flush at the top), and attach together with the removed screws. Attach the lower front panel to the sides with the removed screws.

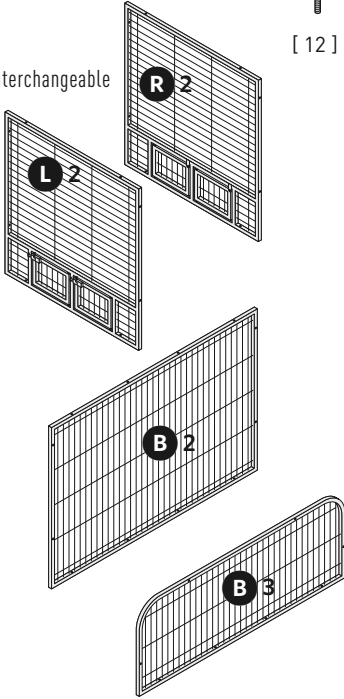


While the lockable rolling casters can be added at any point, we recommend installing them here. Screw the threaded caster post into each frame leg. If preferred, tighten each caster by the base nut with a slim wrench.

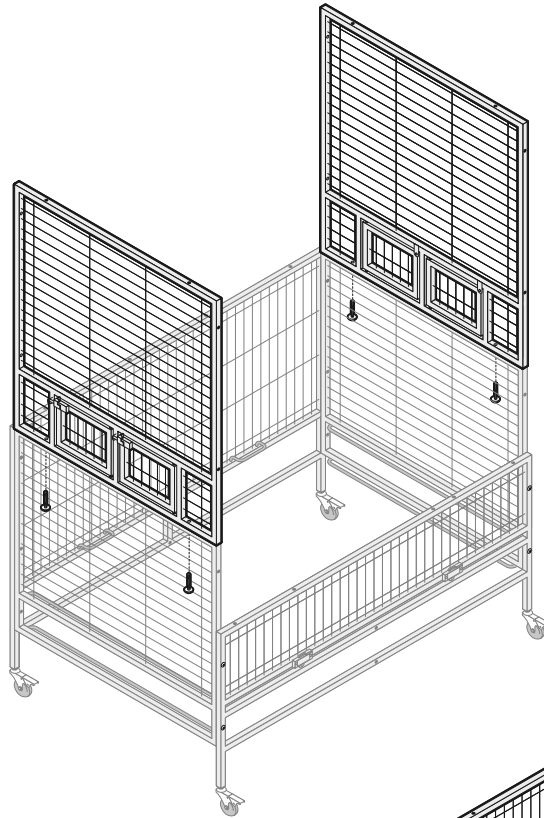


2 PIECES

interchangeable



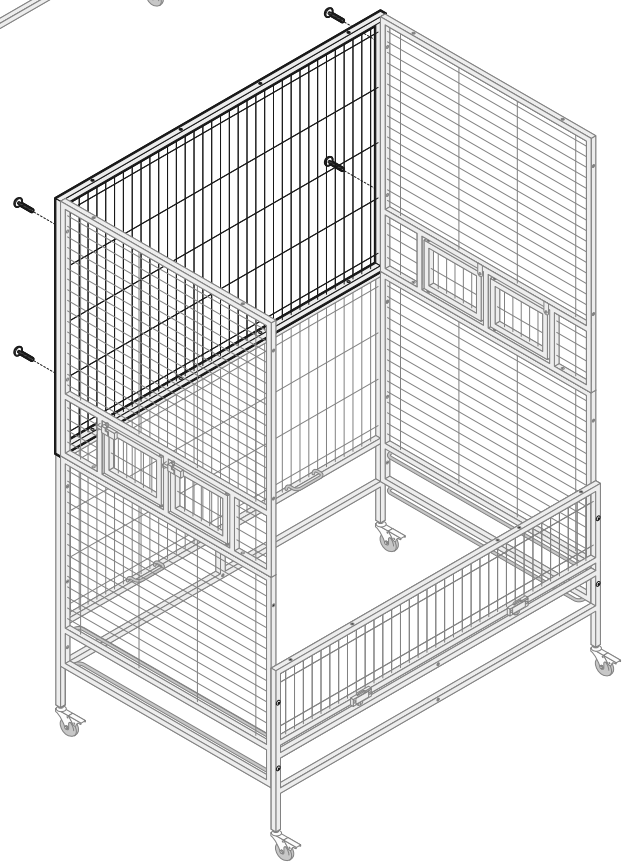
[12]



Remove all the Phillips-head screws from the **middle side panels**.

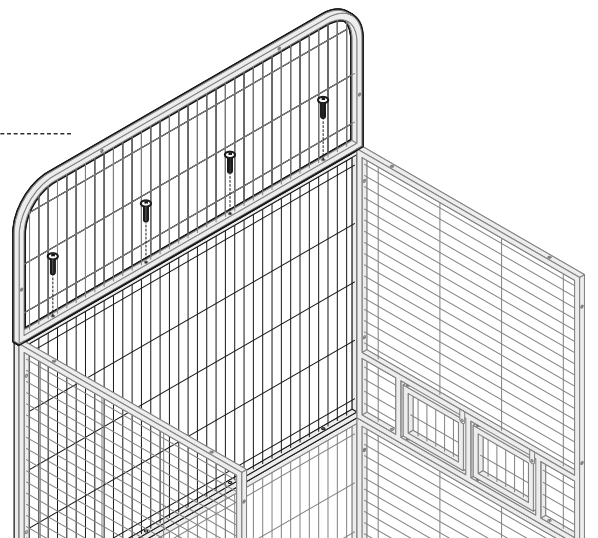
Align the middle and lower side panels together (flush on the front vertical edge). Insert the screws up from the bottom (from the lower side panel, up, into the middle side panel), and attach together.

Attach the **middle back panel** to the sides with the removed screws.

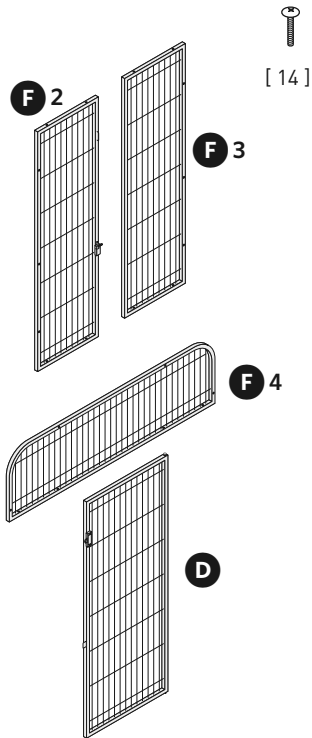


Remove all the Phillips-head screws from the **upper back panel**.

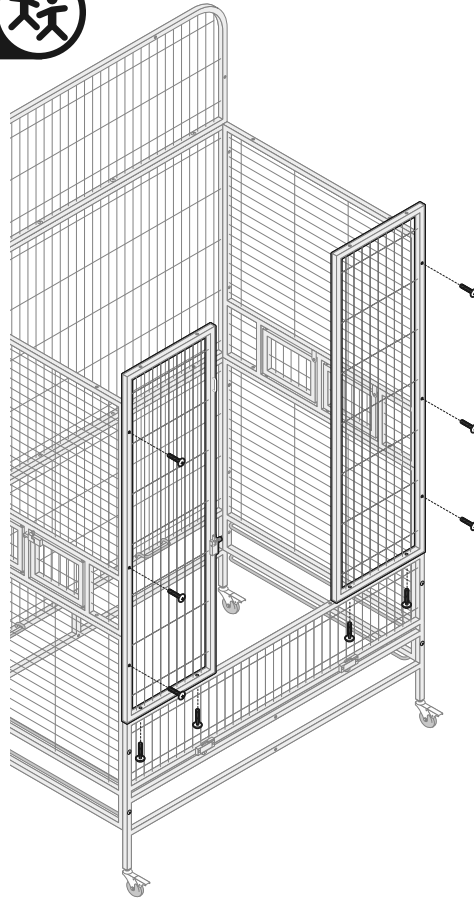
Align the upper and middle back panels together, and insert screws down from the top to attach.



3 PIECES



On the lower front panel, remove the screws from the underside of the top frame rail.
With those screws, and the remainder removed from the side panels, attach the two **front panels** as illustrated.



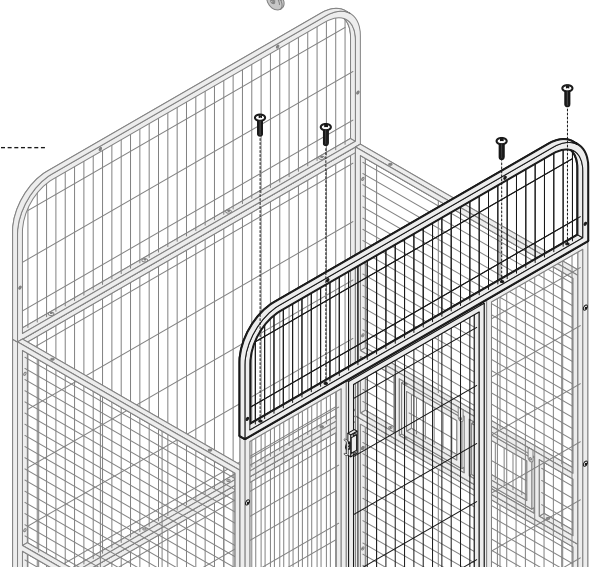
Remove all the Phillips-head screws from the **upper front panel**.

Align the post at the bottom of the **door panel** with the receiving hole, and insert. Close the door and engage both locks to hold the door in place and confirm that everything is lined up.

Align the receiving hole on the underside of the **upper front panel** with the post on the front door, and then with the front panels.



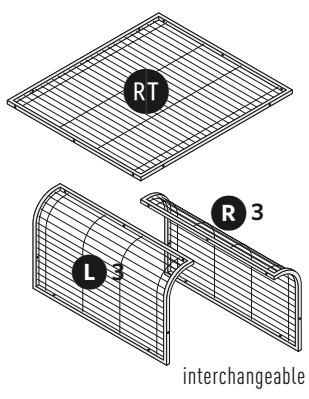
Insert screws down from the top, and attach the upper front panel with the door wing panels.



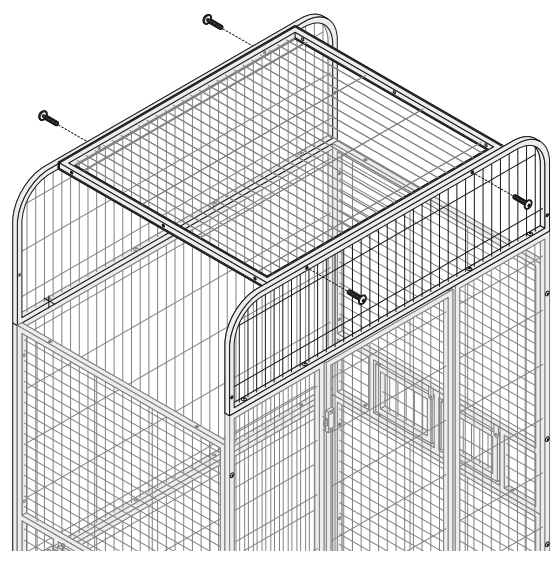
4 PIECES



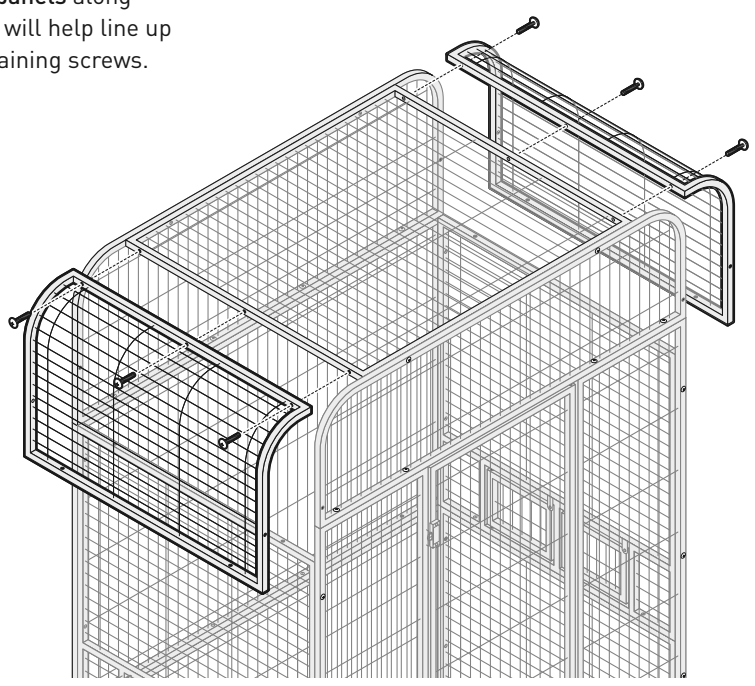
[18]



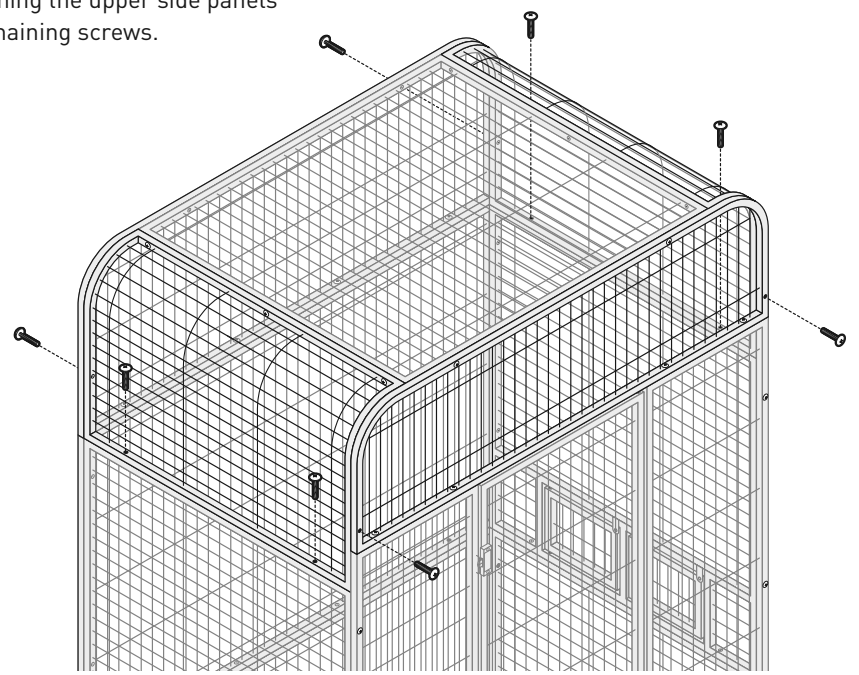
Remove all the screws from the roof top panel.
Align the two holes along the front and back edge of the roof panel with the two holes on the upper front and upper back panels, and attach with the removed screws.



Attach the upper side panels along the top edge first. This will help line up the panels for the remaining screws.



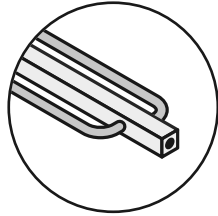
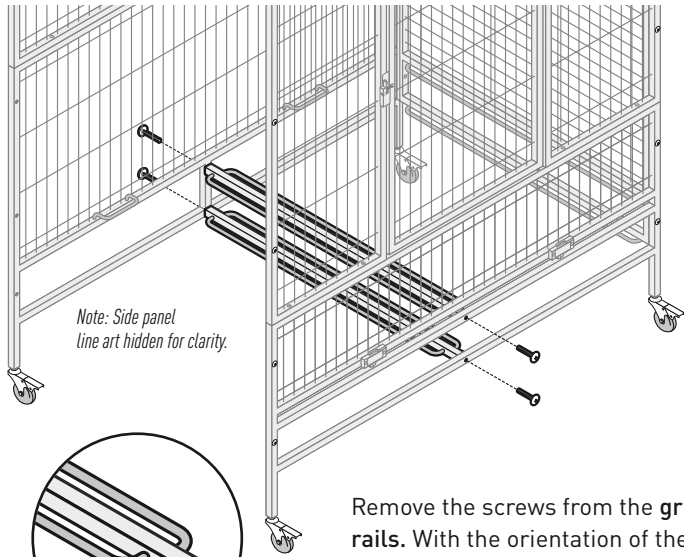
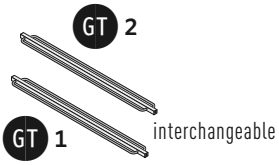
Finish attaching the upper side panels with the remaining screws.



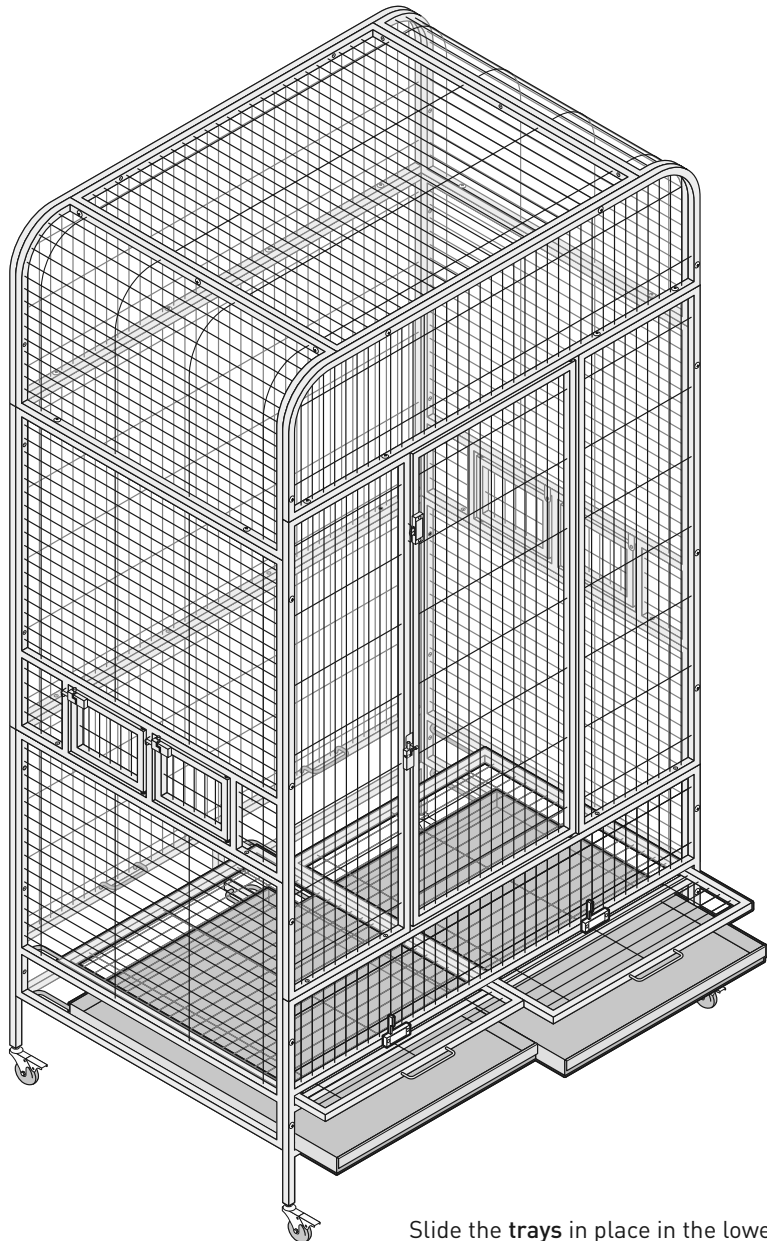
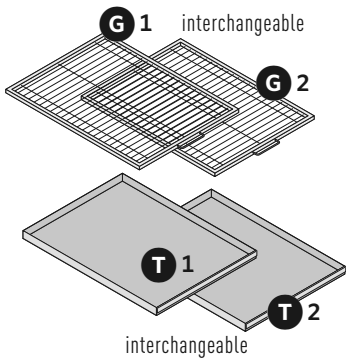
5 PIECES



[4]



Remove the screws from the **grille/tray rails**. With the orientation of the extension bars to the sides, attach the rails with the removed screws.



Slide the **trays** in place in the lower opening. Open the locks in the upper slot, slide the **grilles** into place, and close the locks.

6 PIECES



[16] [2]

Remove all the screws in the **perch** posts. Attach the center post to the end posts.

Place the assembled perch into the cage. Starting from the back, attach the perch to the cage with the bracket and screws at the height of the bottom horizontal rail.

Finish attachment at the front, keeping the perch placement leveled and centered.

Remove all the screws and brackets from the **cup holders**. Attach the cup holders to the cup doors, at or above the horizontal wire. Insert the **cups** in the cup holders.

***** When fully assembled, check and tighten ALL screws over the entire cage to ensure a safe and stable home.

Assembly completed.