



MODEL #
25213

Keet/Tiel Cascade Roof Cage ASSEMBLY

Instructions online at www.prevuepet.com

CUSTOMER SUPPORT

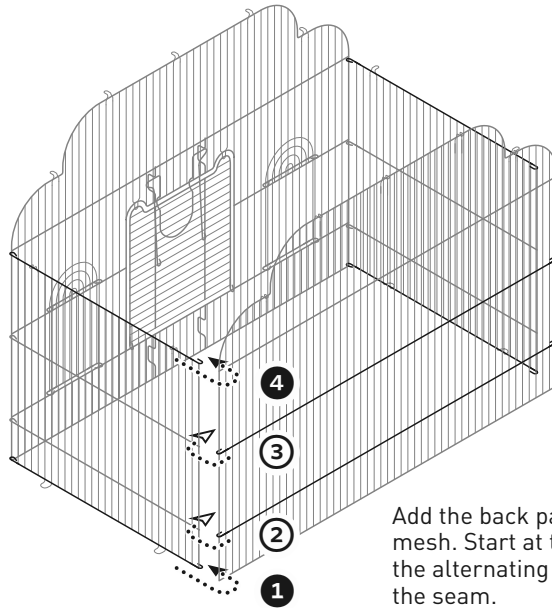
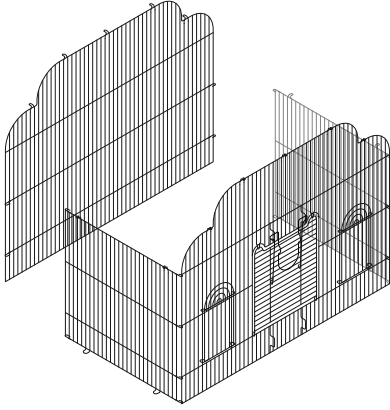
For assistance or replacement parts, please contact Prevue Pet Products:

PHONE 1 (312) 243-3624

ONLINE www.prevuepet.com

EMAIL customerservice@prevuepet.com

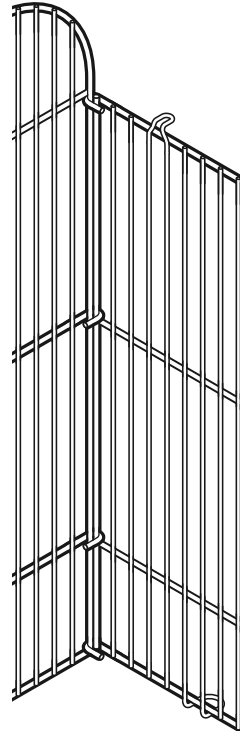
1 PIECES



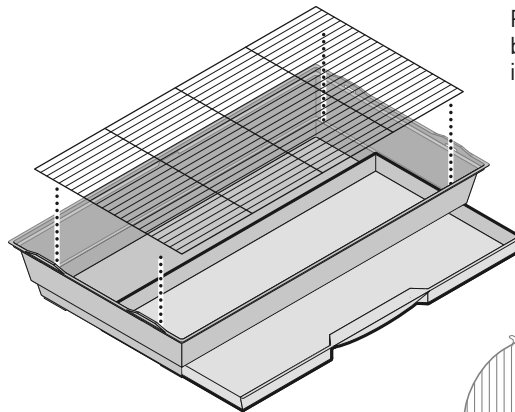
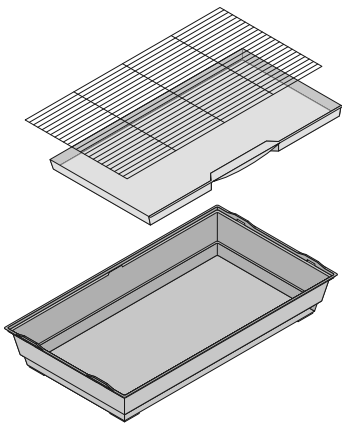
Add the back panel to the tri-panel mesh. Start at the bottom and weave the alternating hooks together up the seam.

Done correctly, the seam will look like this →

Use the same method for both sides.



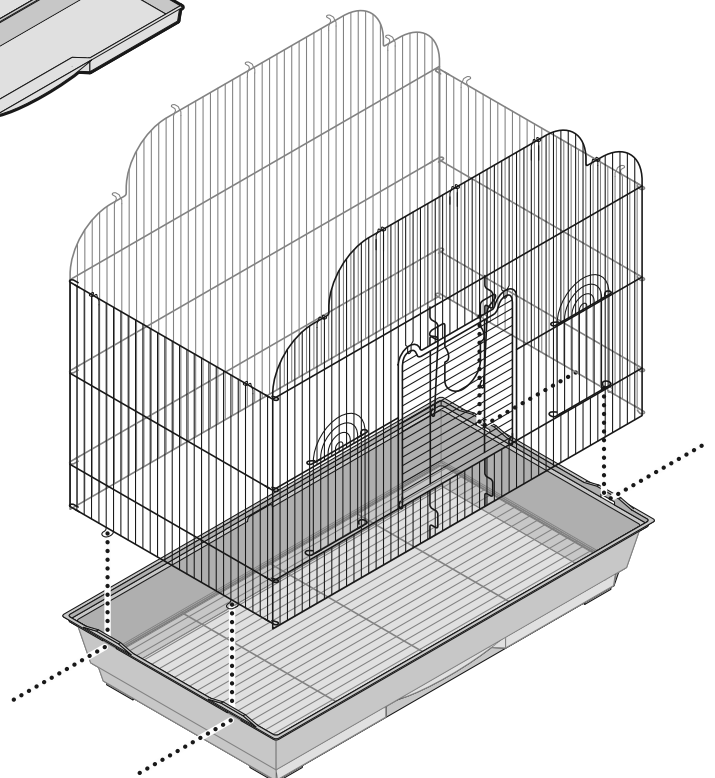
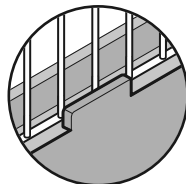
2 PIECES



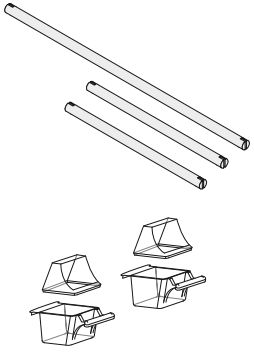
Place the removable grille into the base and slide the removable tray into the opening.

Add the assembled mesh to the base by inserting the extended loops along the sides into the open slots on the base.

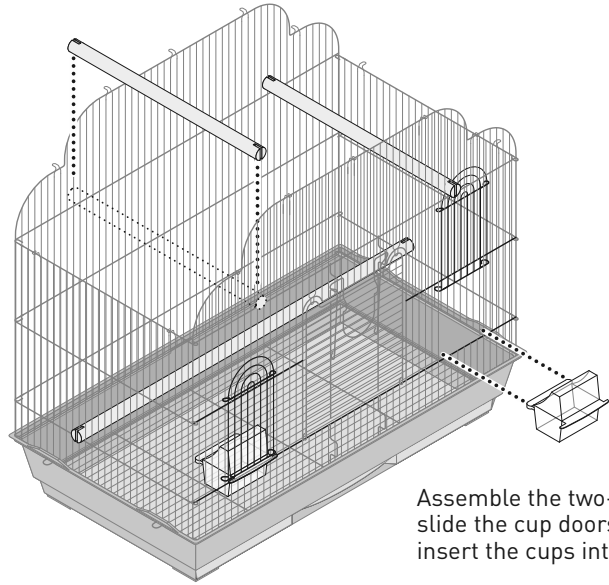
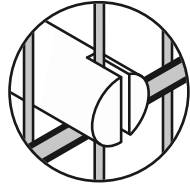
Along the front and back edges, set the mesh between the raised tabs and the rim.



3 PIECES

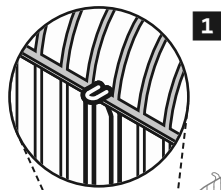
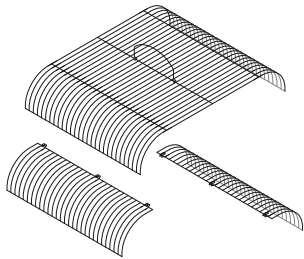


Install the perch ends on vertical wires, with the bottom resting on a horizontal wire for stability.

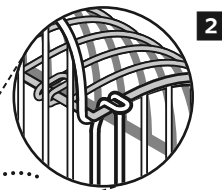


Assemble the two-piece cups, slide the cup doors up and insert the cups into place.

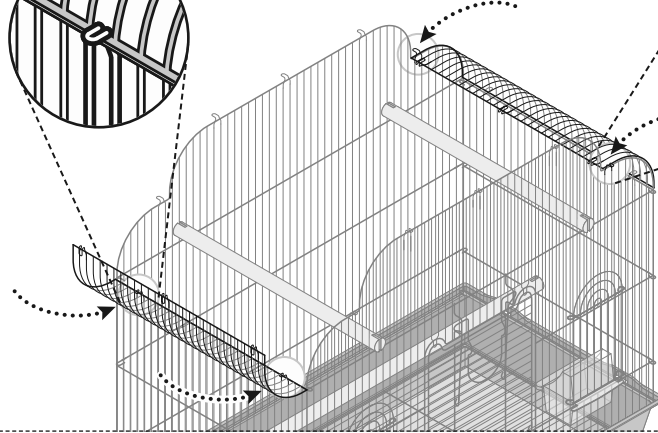
4 PIECES



1



2

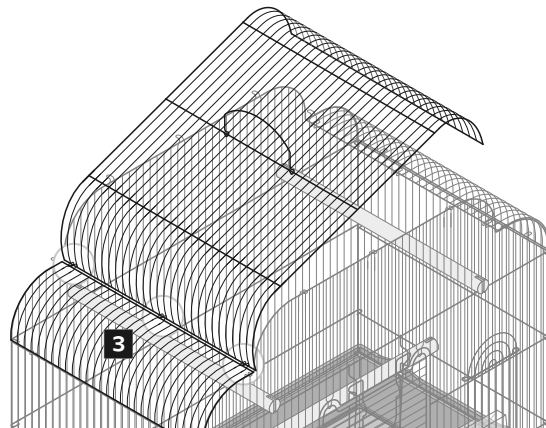


1 Catch the bottom wire of the short roof panel on the loops along the side panel.
2 At the top, catch the corners onto the loops on the front and back panels.

* CLEANING INSTRUCTIONS

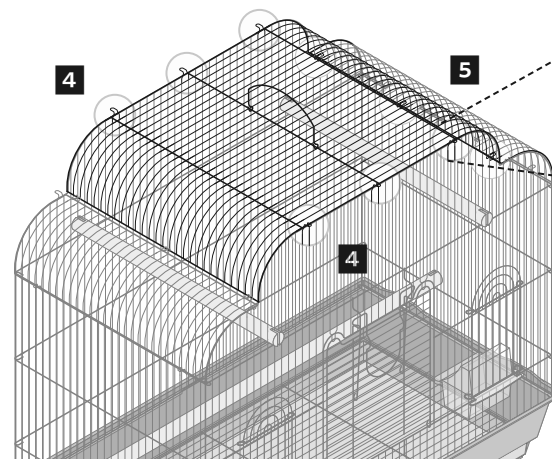
To prolong the life of your new Prevue Pet Products cage, we recommend:

- When cleaning the cage and parts, use a soft cloth or non-abrasive scrub pad (such as Prevue's Cage Saver (#109)).
- Wash all parts with warm water and a mild, pet-safe, environmentally friendly soap.
- Rinse thoroughly.
- Hand dry all parts completely with a soft dry cotton cloth before reassembling the cage.
- Do not leave plastic parts in the sun to dry as they may warp.



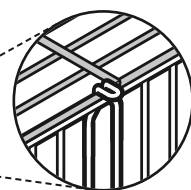
3

3 Starting on one end, catch the bottom wire of the large roof panel on the loops along the short roof.



4

5



4 Then catch the roof on the loops along the front and back panels.
5 Finish by catching the large roof on the loops along the short roof.

Assembly completed. ■