

CUSTOMER SUPPORT

For assistance or replacement parts,
please contact Prevue Pet Products:

PHONE 1 (312) 243-3624

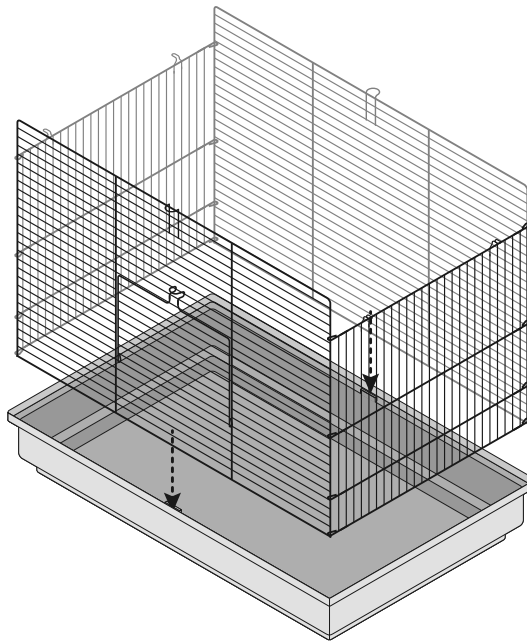
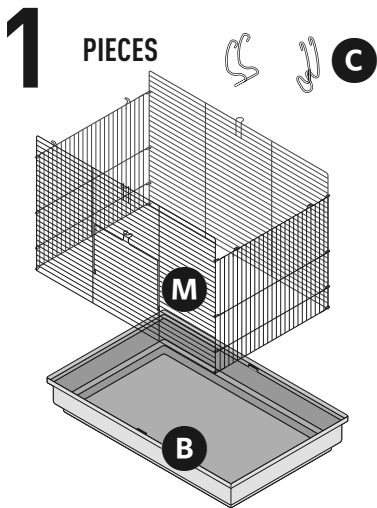
ONLINE www.prevuepet.com

EMAIL customerservice@prevuepet.com

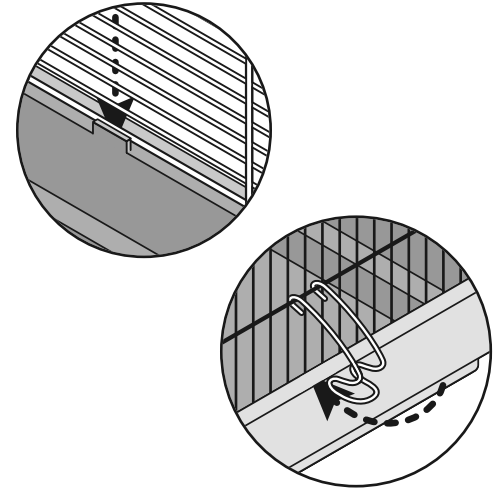
TOOLS : No tools are needed • For best results, follow Assembly Steps in order presented.

KEY:

M = Mesh
B = Base
C = Clips
R = Roof
P = Platforms
I = Incline ramps
H = House
W = Wheel



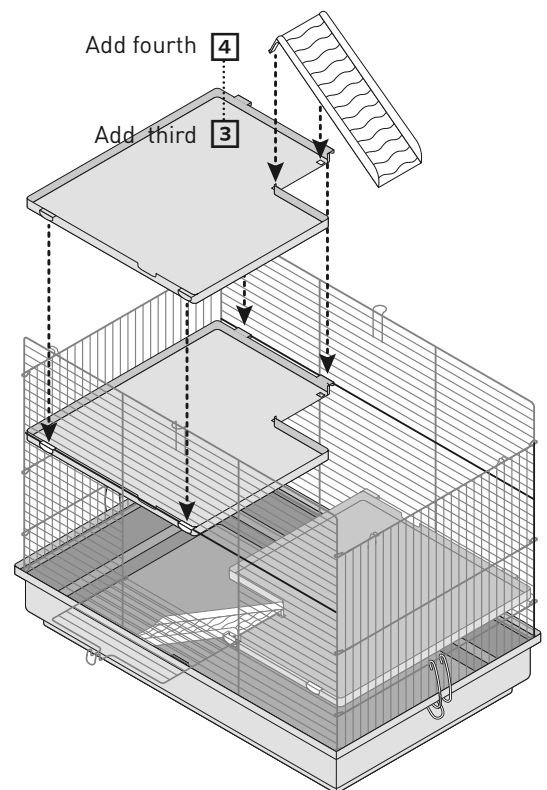
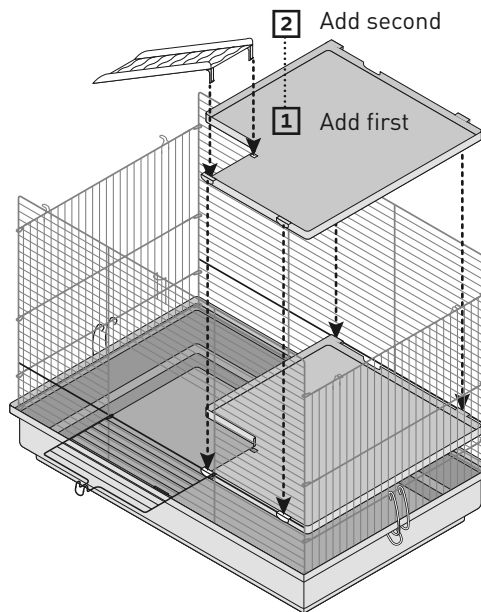
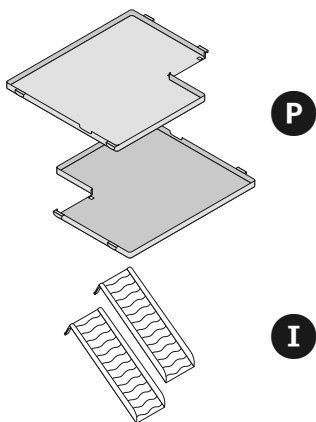
Open the **mesh** to a rectangle. Set the mesh into the **base**, inserting the panels between the rim and the raised tabs.



Clip the mesh to the base at both ends.

2

PIECES



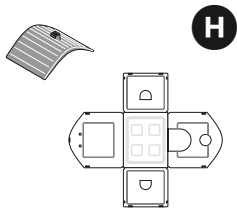
Add the first **platform** on the horizontal wire where the door is hinged. Avoid hooking the platform on the door itself.

Add the **incline ramp**.

Add the second **platform** on the horizontal wire at the top of the door opening.

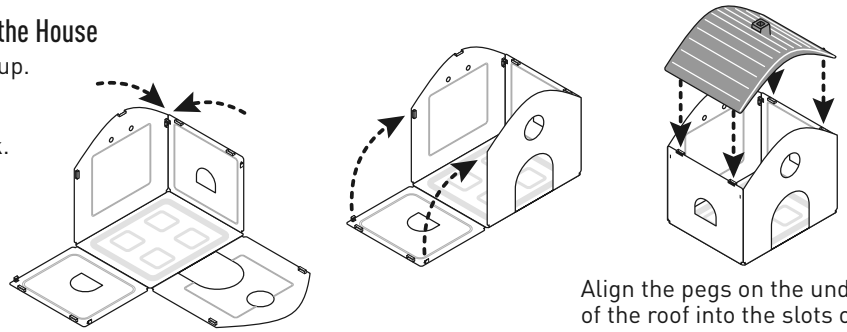
Add the second **incline ramp**.

3 PIECES

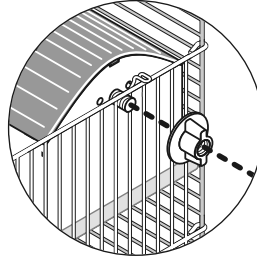


Pre-assemble the House

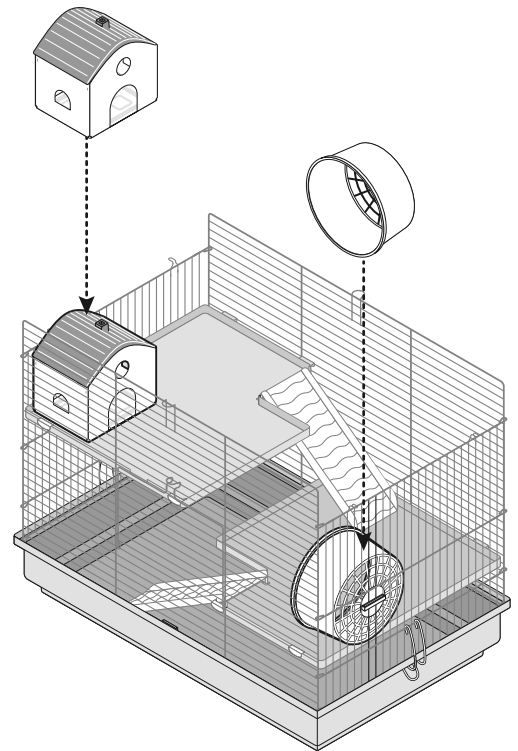
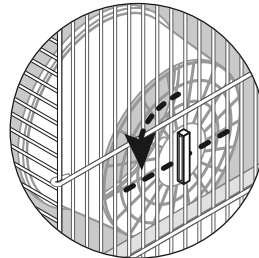
Flip the sides up. Push the tabs into the slots until they click.



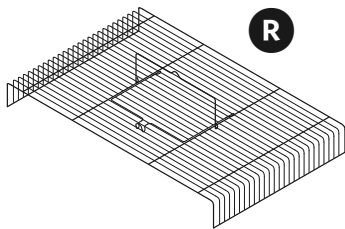
Remove the wing nut. Place the **house** on a platform and poke the screw post through the wires. Replace the wing nut from the cage exterior to secure the house in place.



Insert the bar on the back of the **wheel** through, the cage wires. Rotate the bar 90° to secure the wheel to the mesh.

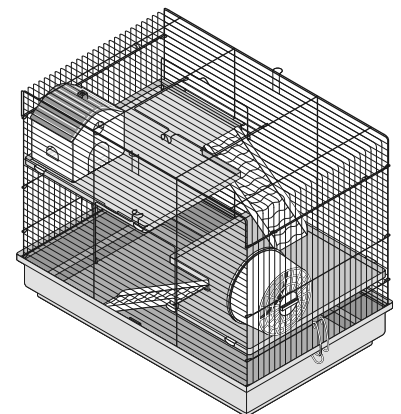
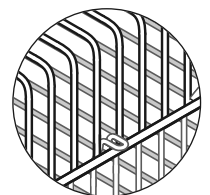
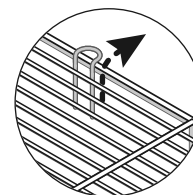
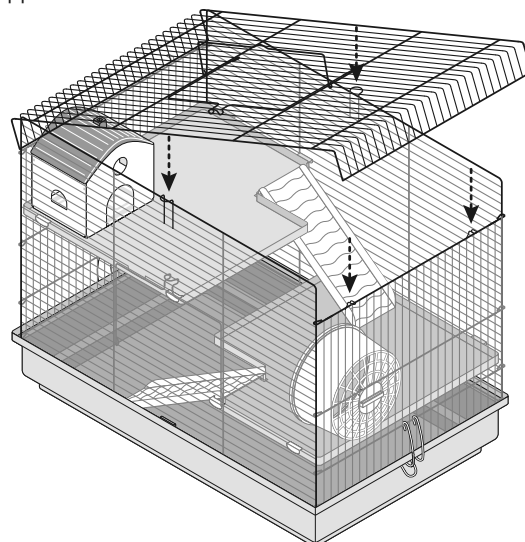


4 PIECES



Center the **roof** on the cage. At one end, catch the outer roof wire under the loops on the side panel. Softly bend the roof mesh to catch the roof line onto the front and back panel loops.

Finish by catching the roof onto the loops on the opposite end.



Assembly completed. ■