

Palm Beach Collection Teardrop Roof

Model: # 21003

Instructions online at www.prevuepet.com

read first REVIEW BEFORE ASSEMBLY

- No tools are required for assembly
- For best results, follow the Steps in the order they are presented

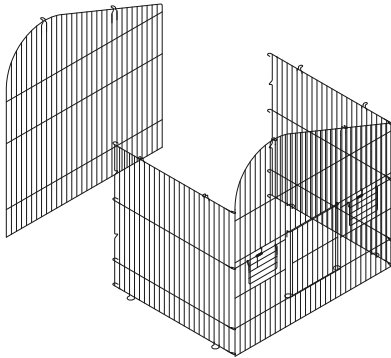
For assistance or replacement parts, please contact Prevue Pet Products:

PHONE 1 (312) 243-3624

ONLINE www.prevuepet.com

EMAIL customerservice@prevuepet.com

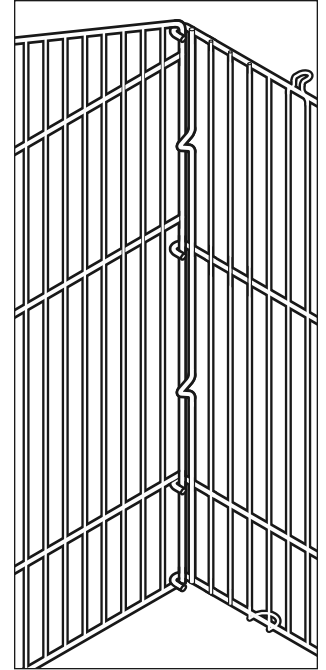
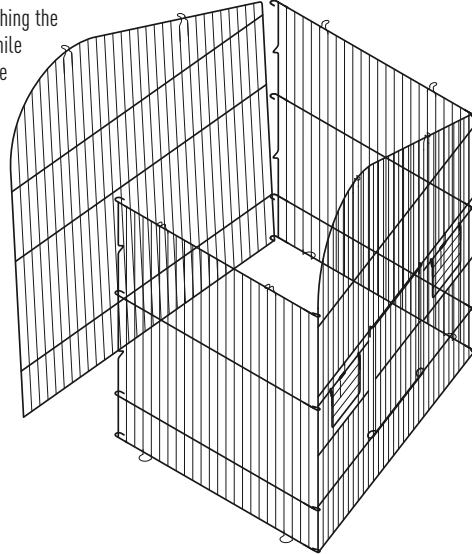
1 To assemble the **CAGE BODY**, you will need these pieces:



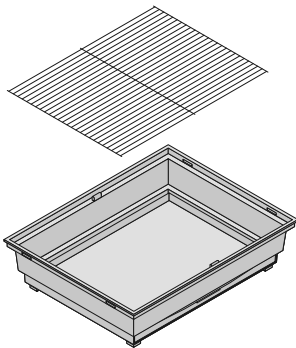
Attach the back panel to the right-side panel:
Start in the lower corner. Hook the right-side panel onto the back panel.

Going up the seam, continue catching the hooks around from the outside while keeping the notched portion of the wire to the interior of the cage.

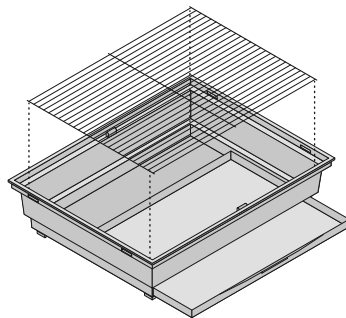
Repeat the method for the other side-to-back connection.



2 To add the mesh body to the **BASE**, you will need these pieces:



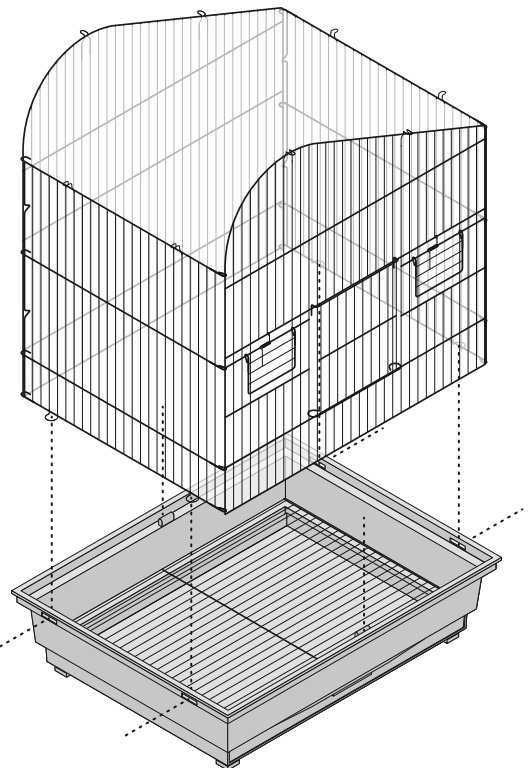
Set the grille into the base.
Push the tray into the base.



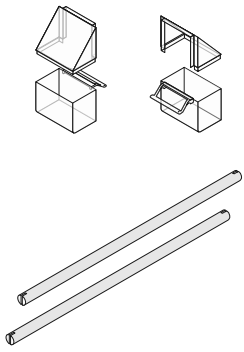
Set the assembled mesh into the base.

Guide the lower loops on the side panels into the holes along the rim of the base.

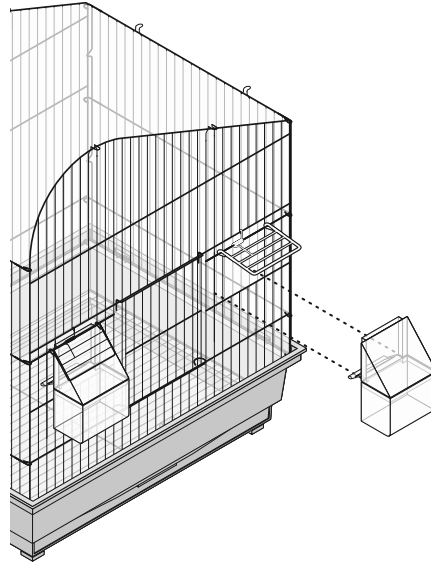
Guide the front and back panels between the outer rim and the inner raised tab.



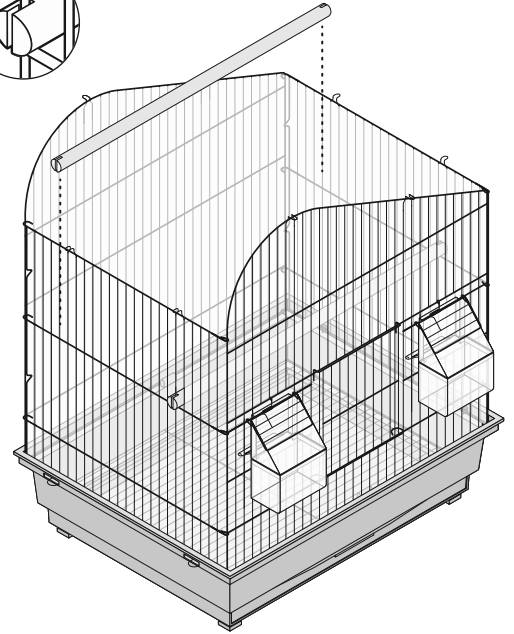
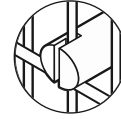
3 To add the **ACCESSORIES**, you will need these pieces:



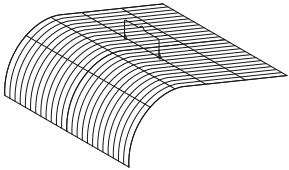
Assemble the two-piece cups. Carefully lift the snap-hinge cup doors and insert the cups.



Insert the perches on a vertical wire. Rest the perch on a horizontal wire for stability.



4 To add the **ROOF**, you will need this piece:



Catch the bottom horizontal wire of the roof under the loops on the side panel. Softly bend the roof mesh to catch the roof line onto the front and back panel loops.

Finish by catching the roof onto the opposite side loops.

