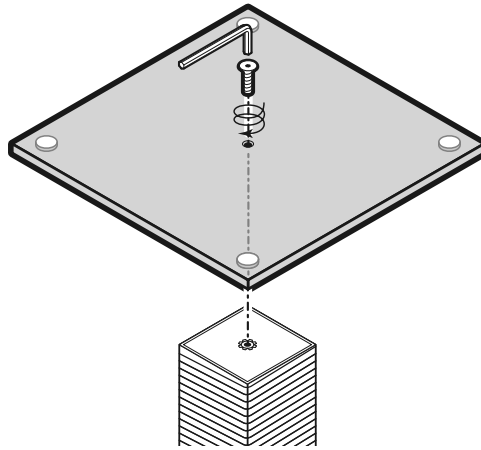
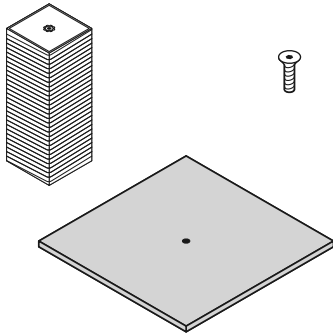
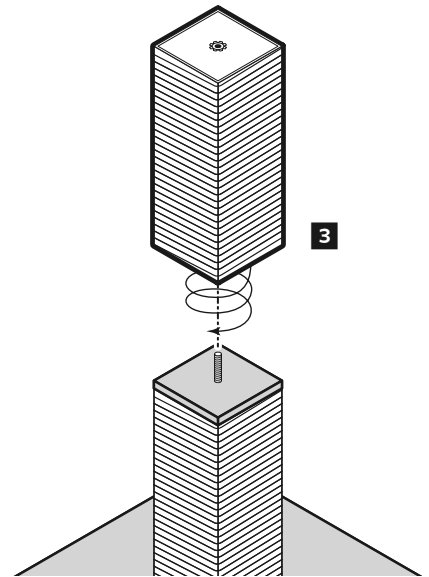
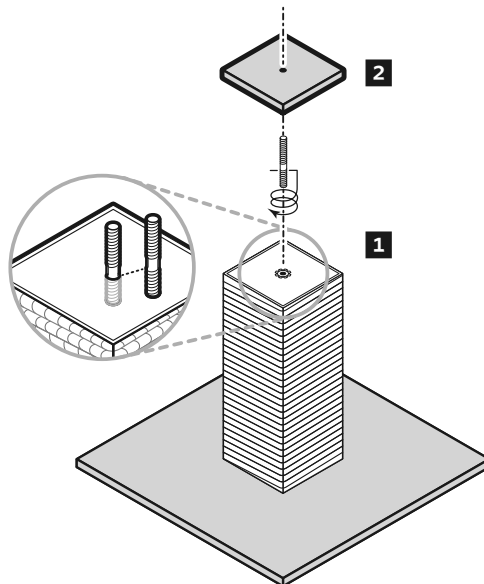
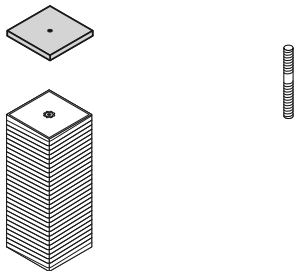


TOOLS: Hex key (included) • Follow the Assembly Steps in the order presented for best results.

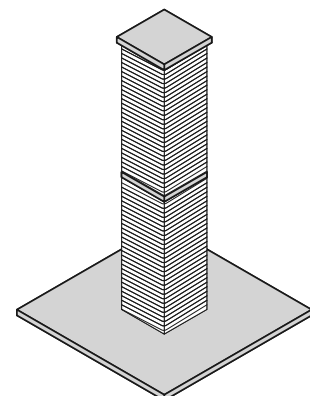
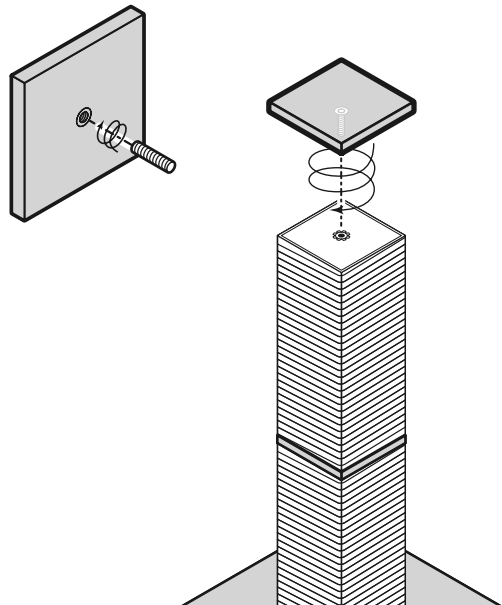
1 PIECES



2 PIECES



3 PIECES



Assembly complete. ■

EXTEND THE LIFE OF YOUR PRODUCT:

When the top post becomes worn, disassemble the tower, and reassemble with the bottom post in the top position.