

CUSTOMER SUPPORT

For assistance or replacement parts, please contact Prevue Pet Products:

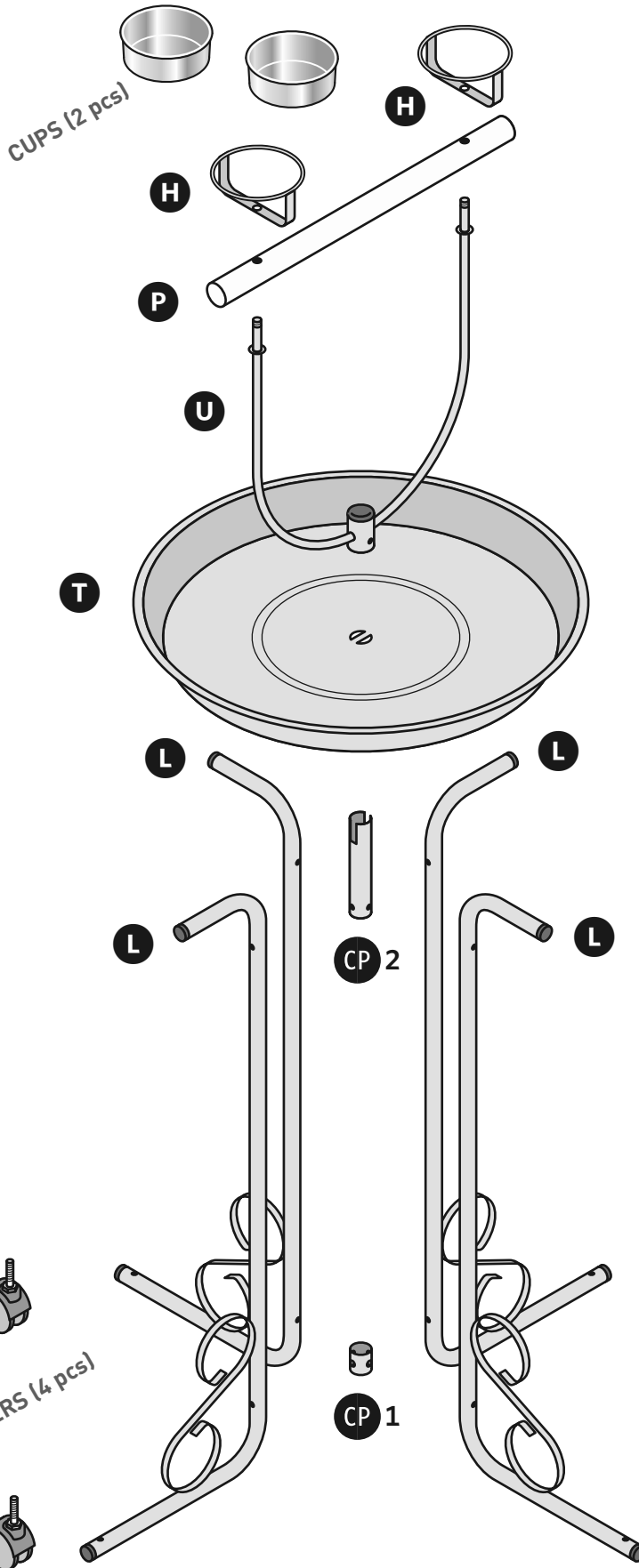
PHONE 1 (312) 243-3624

ONLINE www.prevuepet.com

EMAIL customerservice@prevuepet.com


KEY:

- H = Cup holder
- P = Perch
- U = Perch U-bar
- T = Tray
- L = Leg
- CP = Core post



HARDWARE:

 **Long hex screws**
8 pcs

 **Short hex screw**
1 pcs

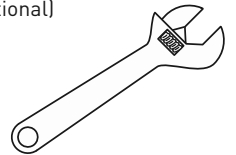
 **Acorn cap nuts**
4 pcs

TOOLS:

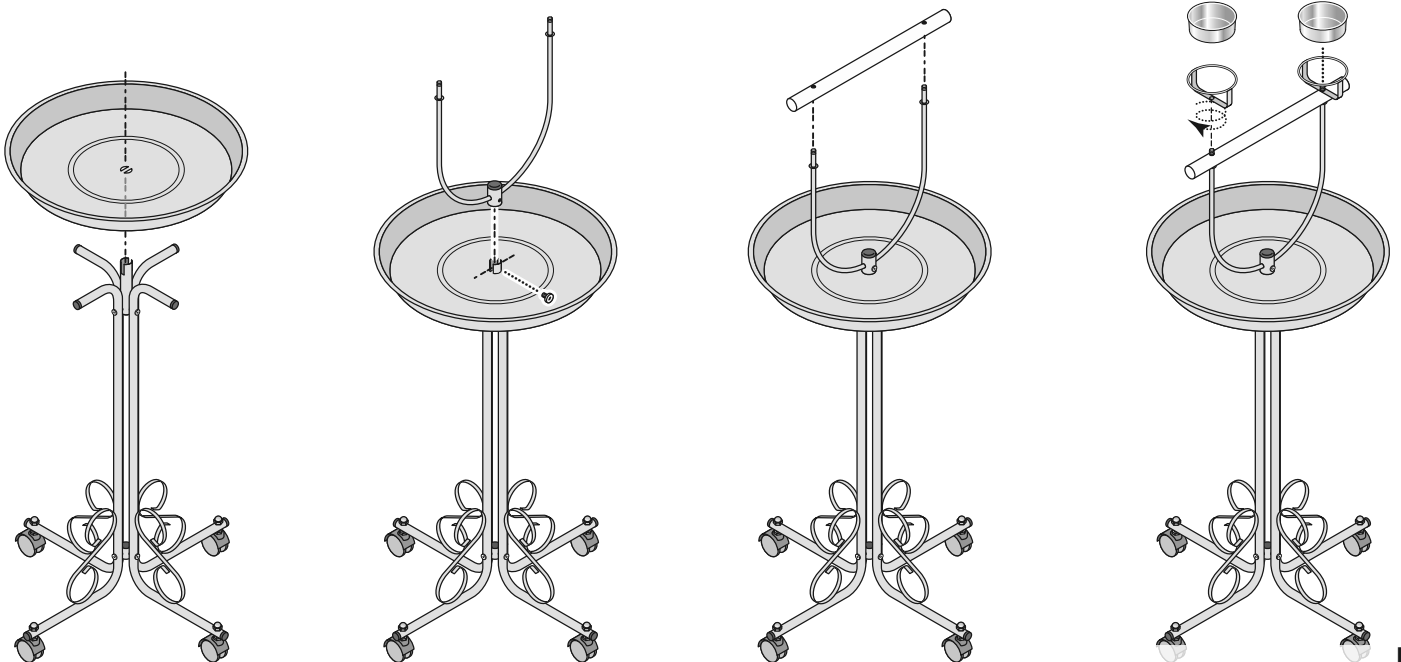
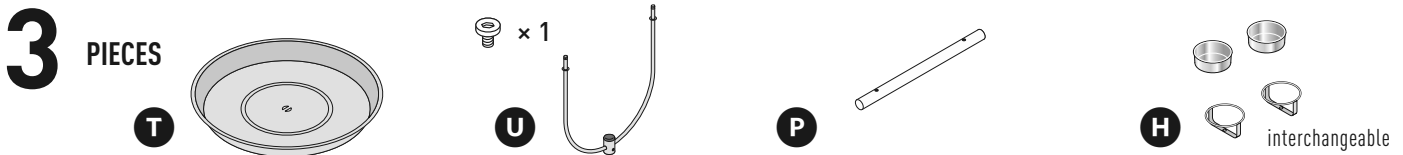
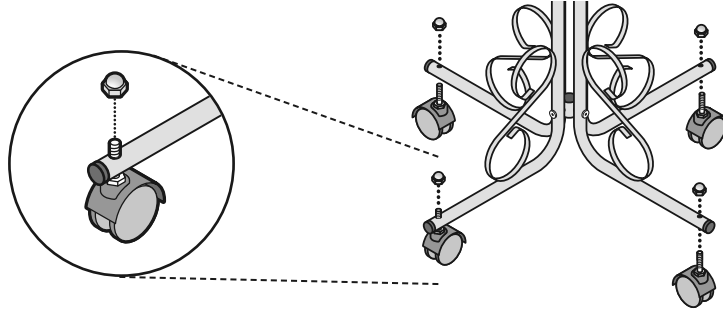
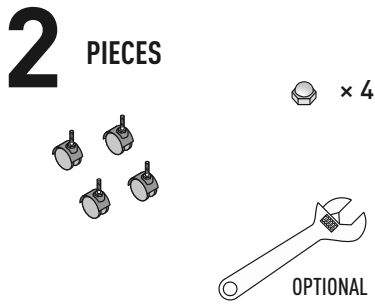
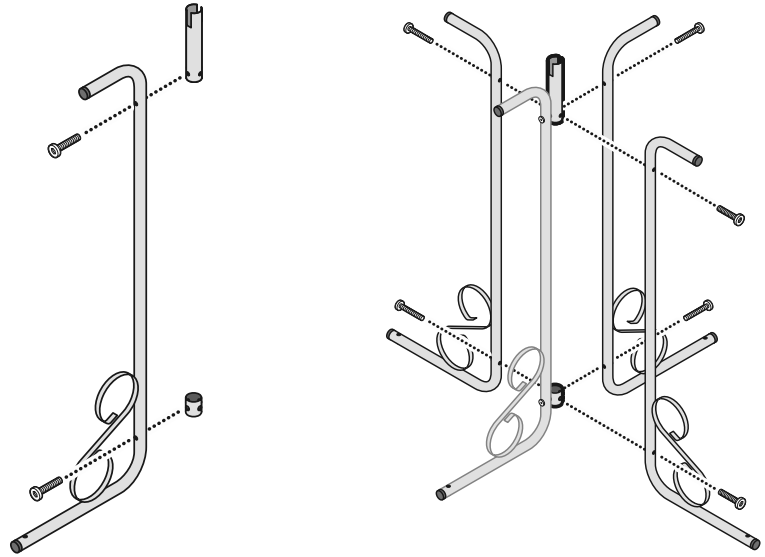
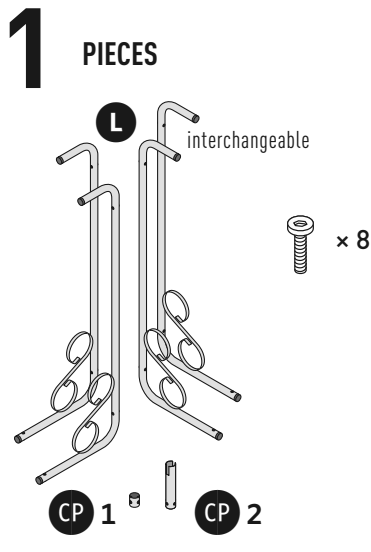
Hex key (included)



Adjustable crescent wrench
(not included /optional)



***** These parts are interchangeable:
L = Legs
H = Cup holders



Assembly completed.