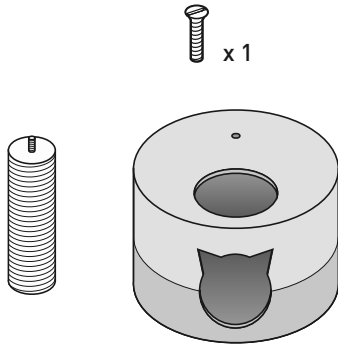
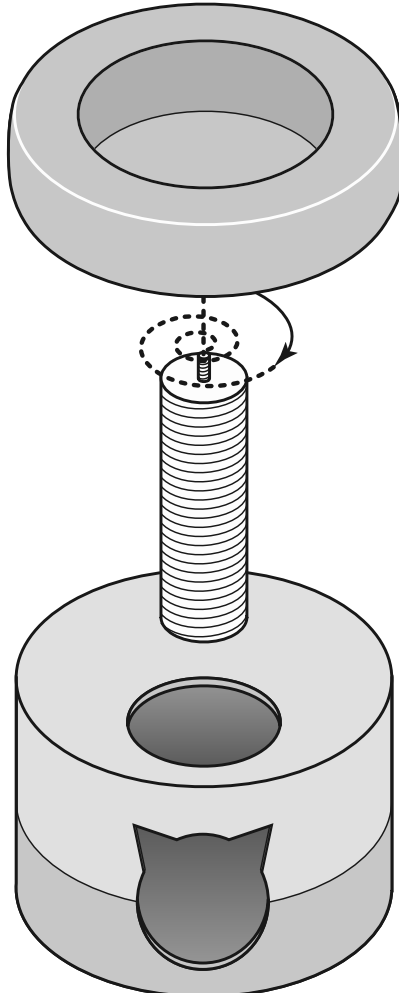
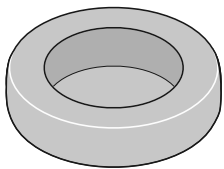
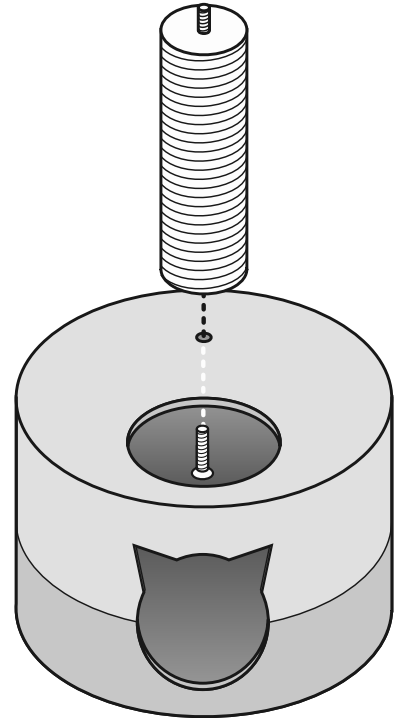


For best results, follow the Assembly Steps in the order presented.

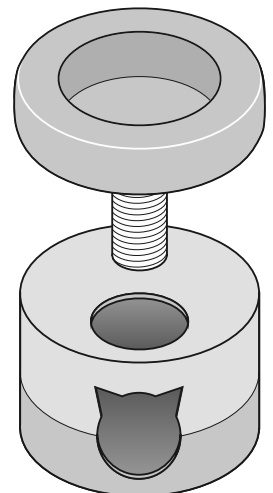
1 PIECES




Attach the scratching post to the hideaway with the screw, using a coin or flathead screwdriver. Tighten the screw snugly to create a stable connection.



Spin the daybed onto the screw post.



Assembly completed. 

CARE

- Use hand vacuum for spot cleaning
- Lightly use pet-safe cleaners — test first on hidden area — do not saturate with cleaners or immerse in water
- Air dry thoroughly before use