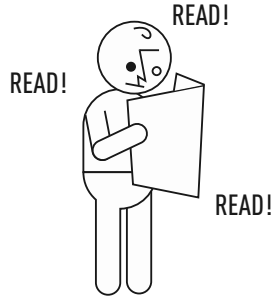


1

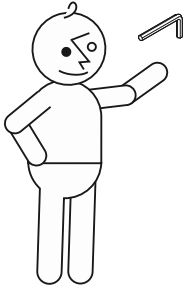


READ THESE INSTRUCTIONS!

Follow the enclosed Assembly Steps for a successful outcome. If you still have questions, we're here to help. Please contact our Prevue Customer Service team via email at :

customerservice@prevuepet.com

2



HELPFUL TOOLS

A hex key tool is included. You will need a small **Phillips** or **flathead screwdriver** (not included) for attaching the handles to the trays. You may find a small **adjustable wrench** (not included) useful when assembling the seed guards.

INCLUDED



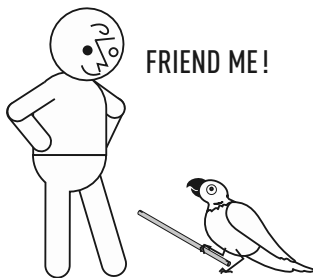
REQUIRED
not included



OPTIONAL
not included



3



GO IT ALONE or FIND A FRIEND

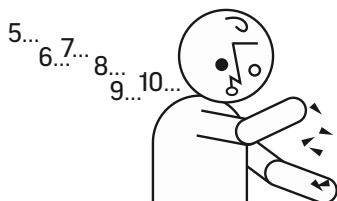
By following these steps in the order presented, most will find the assembly of this cage easy for one person. Some may find a second person's assistance helpful in some areas. If you're unsure, ask a friend to assist!



Look for this Partnership symbol throughout the instructions, marking the areas where we found it helpful to have assistance.

EASY AS 1-2-3!

4



REVIEW ALL PARTS & HARDWARE

After unpacking, review all parts and hardware and compare all components against the Parts List. Please contact the Prevue Customer Service team via email if any problems or issues arise :

customerservice@prevuepet.com

5



CARE FOR BIRDS

CAGE PLACEMENT

Birds are sensitive to environmental conditions like heat, cold, drafts, and fumes. As you establish the location of your cage, make sure it is removed from areas with strong odors and fumes, like those found around air fresheners, kitchens, and gas appliances. Keep cages out of cold and drafty areas, and away from heat sources like furnaces, fireplaces, or kitchen appliances. Avoid areas with harsh or direct sunlight.

ACTIVITY TOYS

Birds rely on toys to reduce boredom and destructive behavior and to keep physically and mentally stimulated. Prevue offers a complete range of toys grouped under two lines and four categories.

Playfuls™ incorporate a wide range of bird-safe shapes, colors, textures, materials and sizes. **Naturals™** consist of all-natural, sterilized, sustainable fibers, ropes, hardwoods, shells, and other natural materials.

Each line contains four categories of toys to satisfy the instinctual behaviors and activities of every bird size:

- **Physical & Mental:** Designed to provide exercise for the body and the mind, with elements to engage birds in problem-solving, manipulation, chewing, and balancing.
- **Sound & Movement:** Designed for aural and visual stimulation, with elements that are free-moving, noise-creating, reflective and bouncy.
- **Preen & Pacify:** Designed to function as stress-reducers, with a variety of materials and textures that engage birds in calming, comforting activity.
- **Forage & Engage:** Designed to satisfy a bird's instinctive need to search, root, uncover, extract, collect and nest. Many of these toys may be filled with treats or be replenished with fibers.

TOY TIPS

- To keep birds engaged with their toys, regularly introduce new and familiar toys into the cage environment on a monthly basis.
- Do not over-crowd the cage environment
- For new toys, supervise birds at play and observe their behavior.
- For existing toys, periodically inspect them for replenishment of fibers, or for replacement when worn or destroyed.

Check out all our toys at www.prevuepet.com

ACCESSORIES

We offer many accessories to promote your bird's well-being and upgrade the cage environment:

- Variable-shape perches for foot health
- Cage covers to quiet and calm birds at night
- Cuttlebones & mineral blocks for beak & nail grooming

Additional accessories, specifically for the #3153 Playtop model, include:

- #1046 Natural Branch Perch
- #12505 Good Night™ Cage Cover
- #1243/#1244 replacement stainless steel coop cups or #6404 Ceramic Cups/4-cup set

More accessories can be discovered at www.prevuepet.com

Perches and selected replacement parts are available for a nominal charge. Please contact Prevue customer service at: customerservice@prevuepet.com

TRAVEL CARRIERS

Always keep an appropriate-size travel carrier on hand for emergencies, travel or temporary housing when cleaning cages. Prevue offers several carrier styles — from backpack to soft case to durable steel. Visit www.prevuepet.com

CONTACT RESOURCES FOR PREVUE PET PRODUCTS

EMAIL	customerservice@prevuepet.com
ONLINE	www.prevuepet.com
PHONE	+1 (312) 243-3624
FAX	+1 (312) 243-4224
SOCIAL	Facebook + Instagram



For more wonderful cages, toys, and accessories for birds, cats, chickens, rabbits, ferrets, dogs and small animals, visit www.prevuepet.com



Playtop Home PARTS LIST

Instructions online at www.prevuepet.com

CUSTOMER SUPPORT

For assistance or replacement parts, please contact Prevue Pet Products:

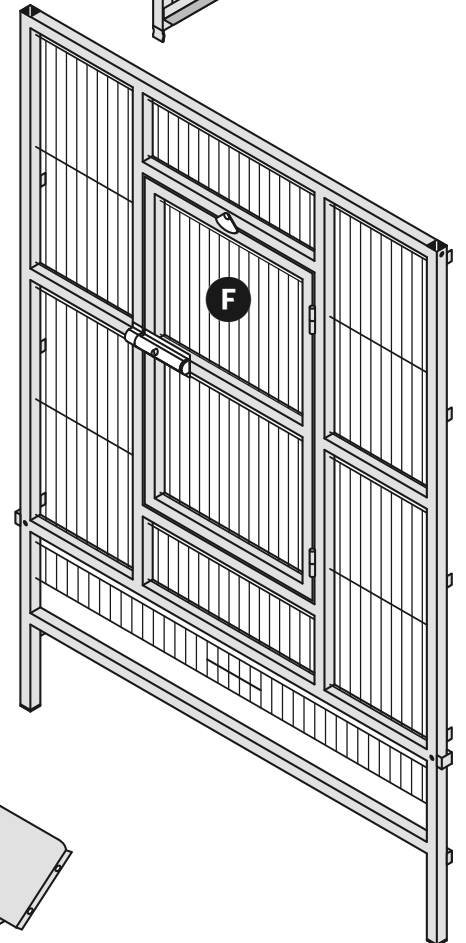
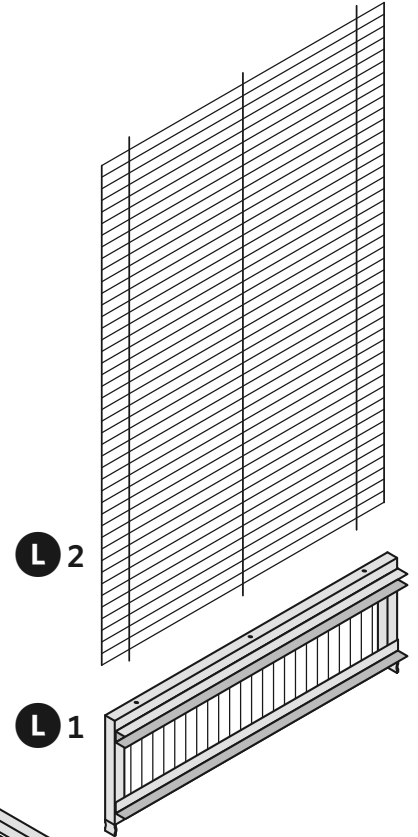
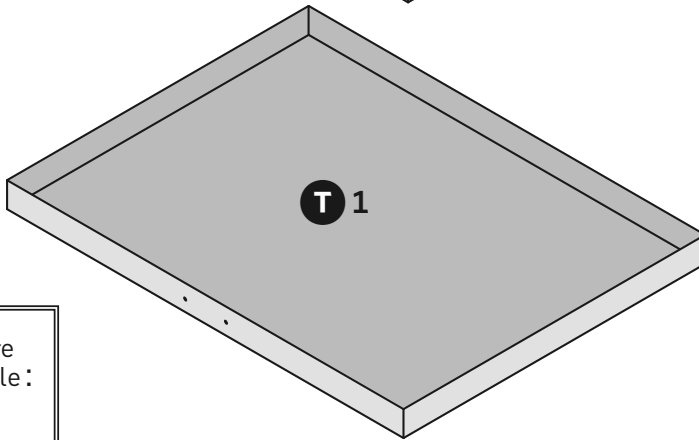
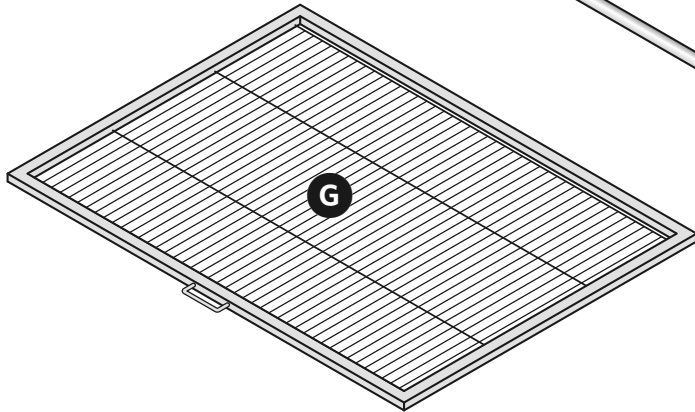
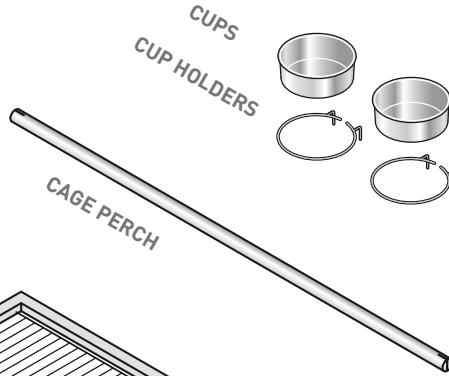
PHONE 1 (312) 243-3624

ONLINE www.prevuepet.com

EMAIL customerservice@prevuepet.com

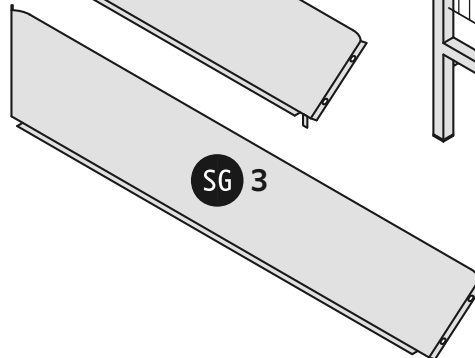
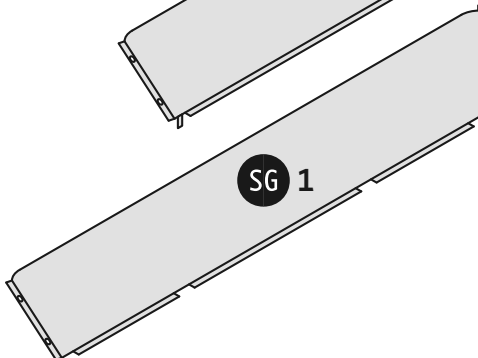
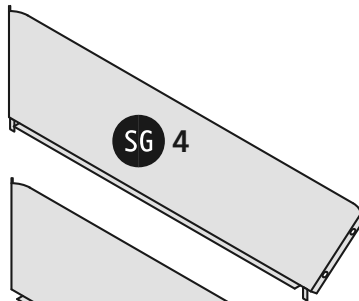
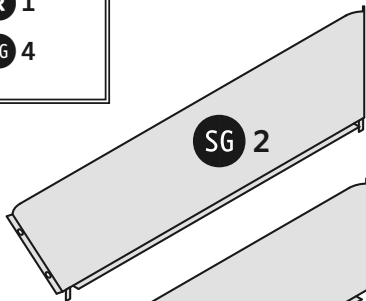
KEY:

- L = Left Side Panel
- B = Back Panel
- R = Right Side Panel
- F = Front Panel
- PT = Playtop Component
- RT = Rooftop
- G = Grille
- T = Tray
- SG = Seed Guard



*
These parts are interchangeable:

- L 2 = R 2
- L 1 = R 1
- SG 2 = SG 4



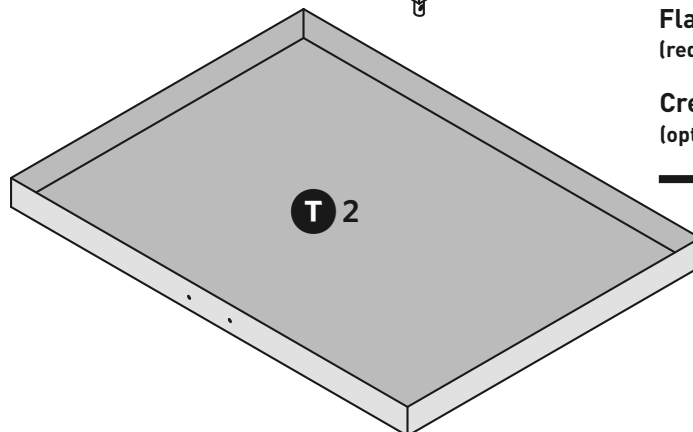
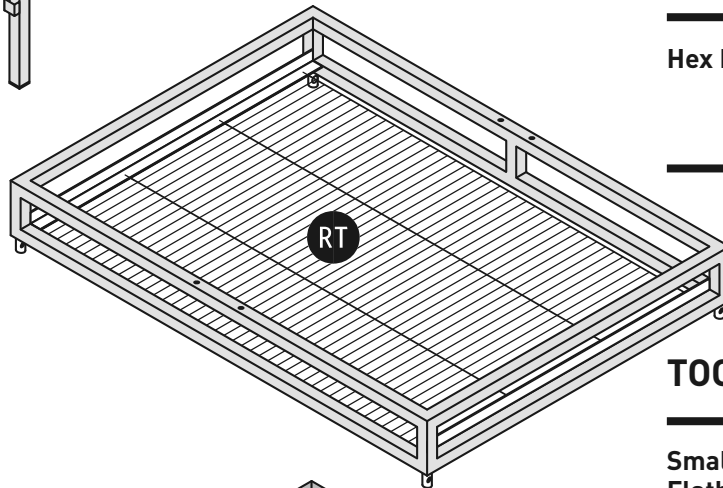
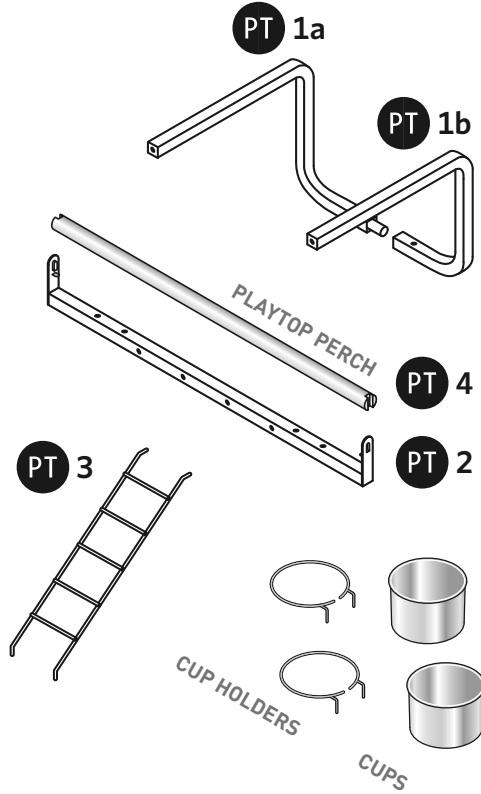
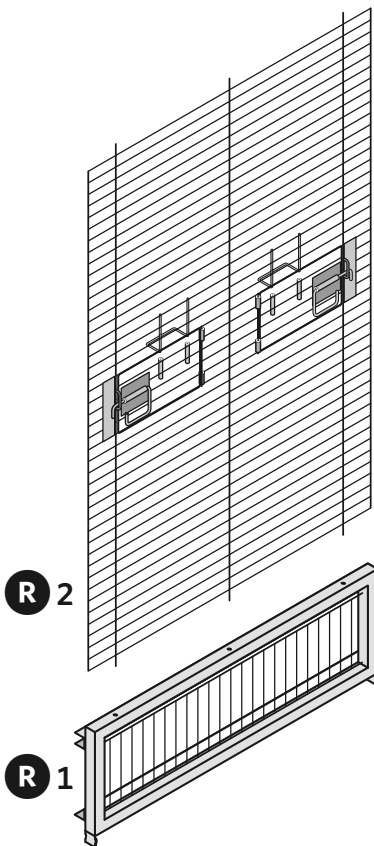
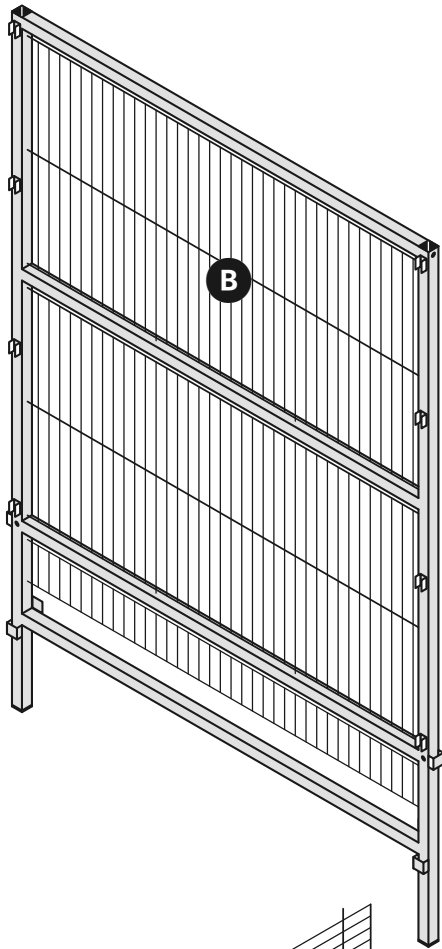
CUSTOMER SUPPORT

For assistance or replacement parts, please contact Prevue Pet Products:

PHONE 1 (312) 243-3624

ONLINE www.prevuepet.com

EMAIL customerservice@prevuepet.com



HARDWARE + TOOLS



Hex screw (long)
6 pieces



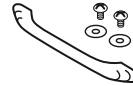
Hex screw (short)
6 pieces



Hex screw + Nut
8 pair



Grille clip
1 piece



1 Handle + 2 screws
+ 2 washers
2 sets



Caster
4 pieces

Hex Key (included)



TOOLS (not included)

Small Phillips or
Flathead Screwdriver
(required / not included)

Crescent wrench
(optional / not included)



Playtop Home ASSEMBLY

Instructions online at www.prevuepet.com

CUSTOMER SUPPORT

For assistance or replacement parts, please contact Prevue Pet Products:

PHONE 1 (312) 243-3624

ONLINE www.prevuepet.com

EMAIL customerservice@prevuepet.com

TOOLS: Small Phillips or Flathead Screwdriver (required/not included) • Crescent Wrench (optional/not included) • For best results, follow Steps in order.

KEY:

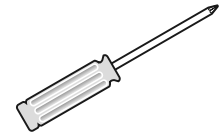
- F = Front Panel
- B = Back Panel
- L = Left Side Panel
- R = Right Side Panel
- PT = Playtop Component
- RT = Roof
- G = Grille
- T = Tray
- SG = Seed Guard



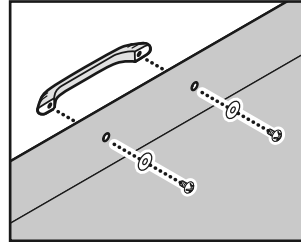
You may wish to involve an assistant during certain steps of this assembly. Look for this Partnership symbol throughout these instructions. →



PREASSEMBLE



Small Phillips or Flathead Screwdriver
(required / not included)



PREASSEMBLE

Attach the **handles** to the trays with the washers and small screws.

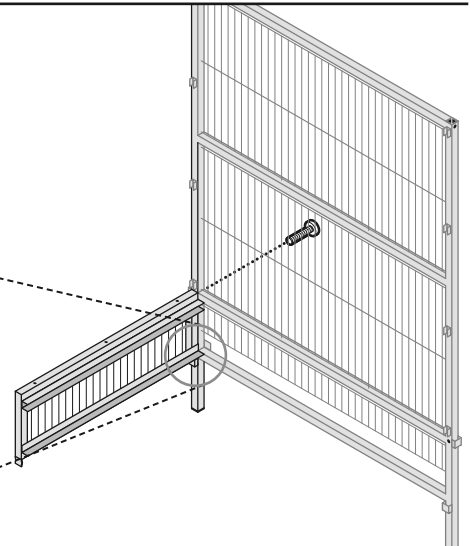
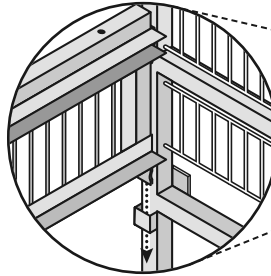
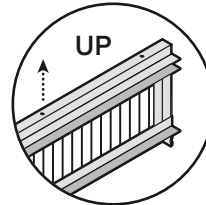
1 PIECES



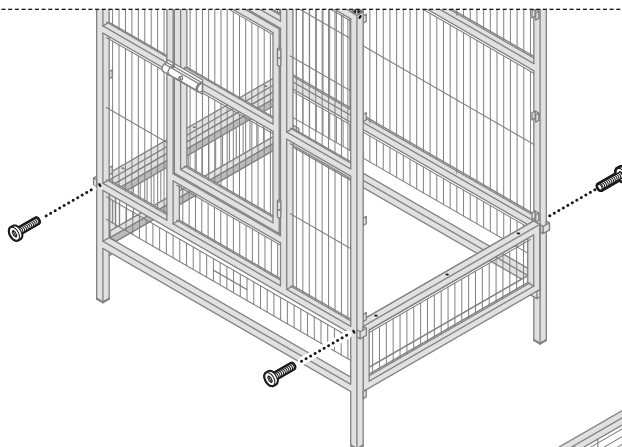
x 4 long

Orient the lower side panels with the holes facing up and the grille/tray channels facing the interior.

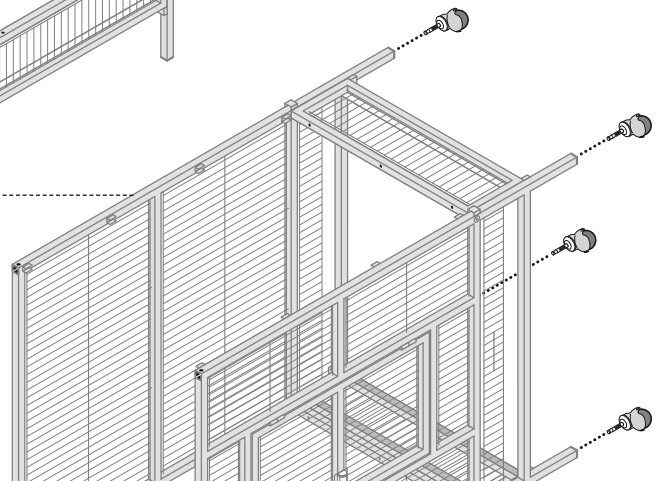
A. Slip the tab on the **lower side panel** onto the sleeve on the frame leg. Attach the panels together at the top with a long hex screw.



B. Add the other **lower side panel** and the **front panel** in the same manner, and secure all panels together with long hex screws.



C. Carefully lay the assembled unit on its side and fully insert a **caster** into each frame leg. When finished, carefully stand the cage upright.



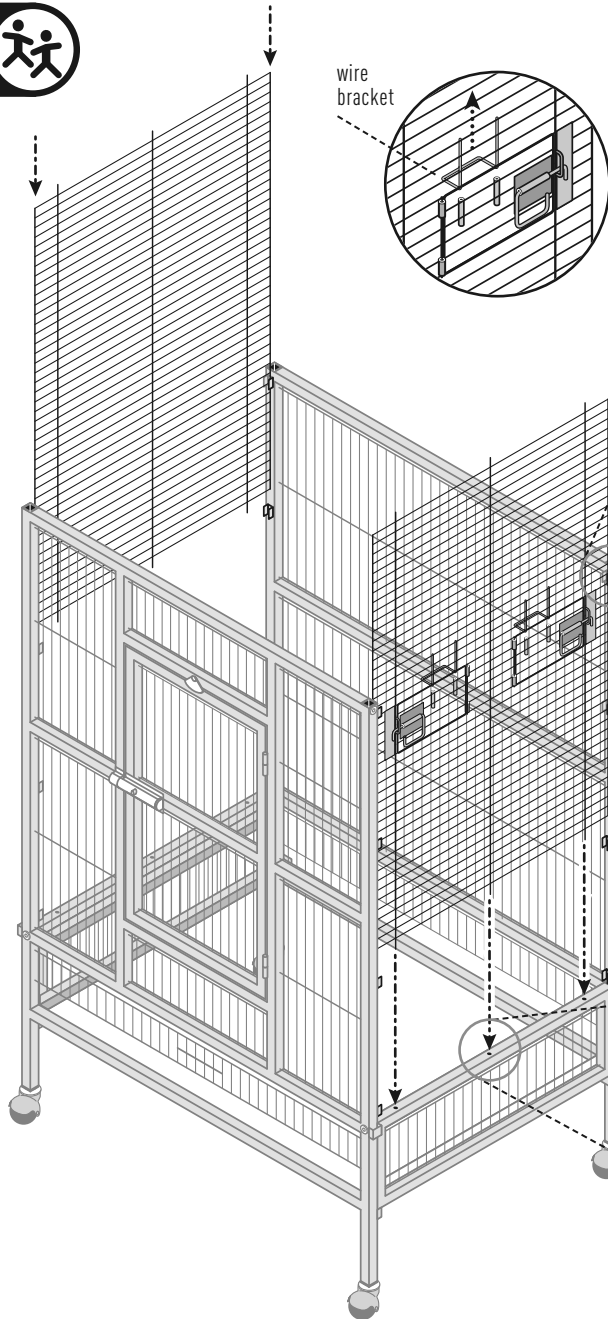
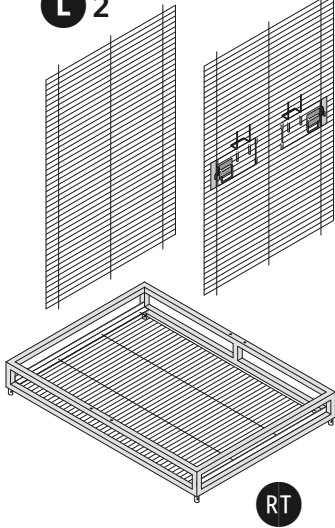
2 PIECES

 x 4 short

interchangeable

L 2

R 2

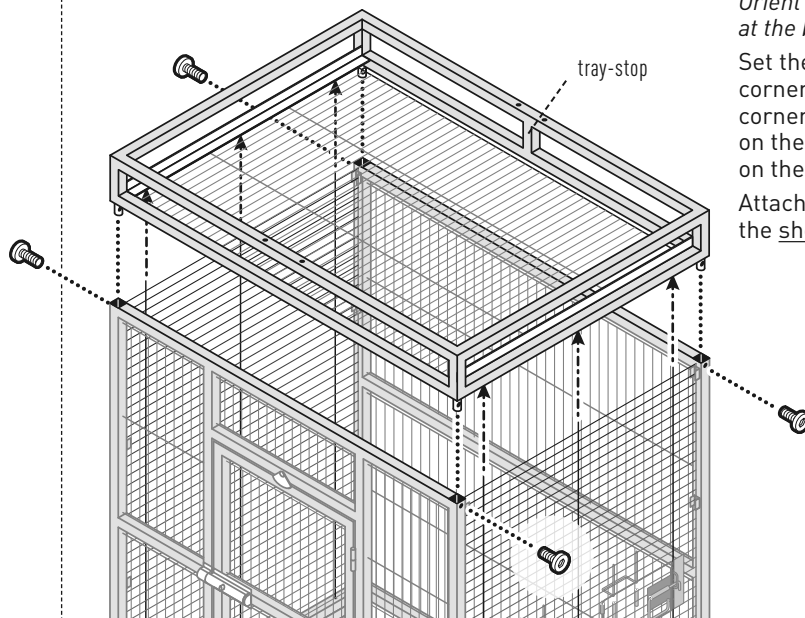


wire bracket

The panel with the cup doors can be inserted on the left or right side. For the cups to lock in place and doors to open/lock correctly, orient the panel so that the wire brackets are above the cup door.

Orient the **upper side panels** with the thick, vertical wires facing the exterior. Slide the upper **side panels** down through the brackets on the frame. Make certain each panel stays within all brackets.

At the base, insert the extended vertical wires into the corresponding holes on the frame.

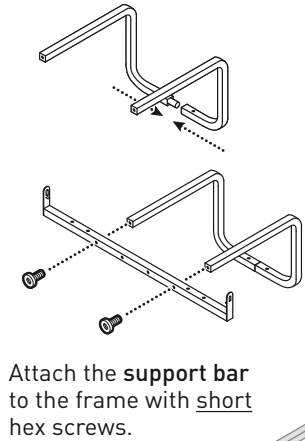
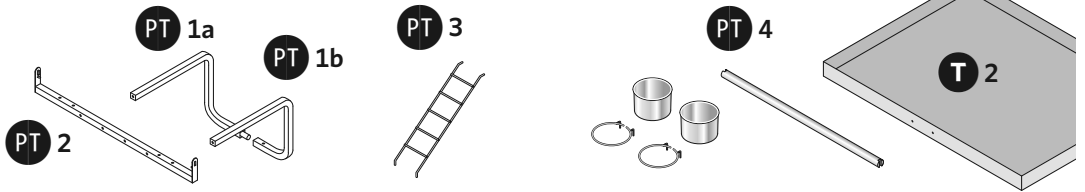


Orient the **rooftop** with the **tray-stop** at the back.

Set the **roof** in place. Insert the corner posts into the open frame corners. Insert the extended wires on the side panels into the holes on the underside of the roof frame. Attach the roof at the corners with the short hex screws.

3 PIECES

- x 2 long
- x 2 short

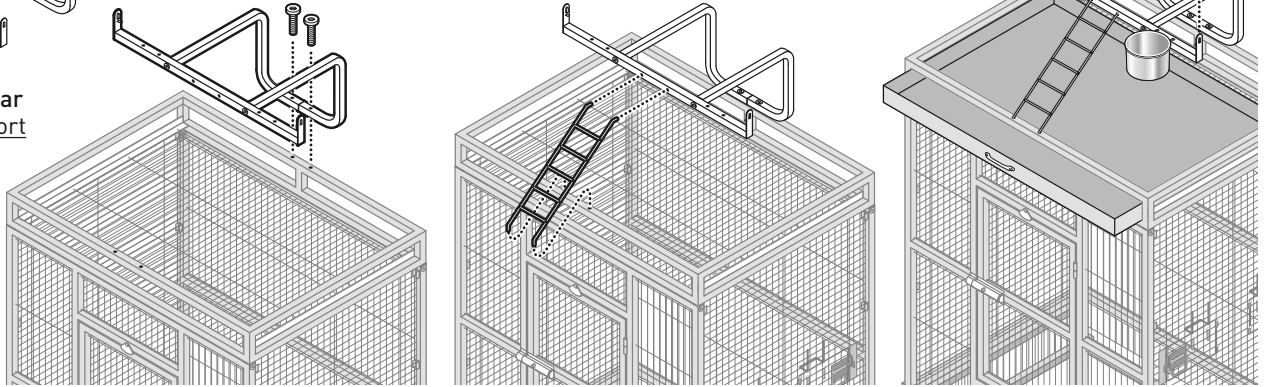


Attach the **support bar** to the frame with **short** hex screws.

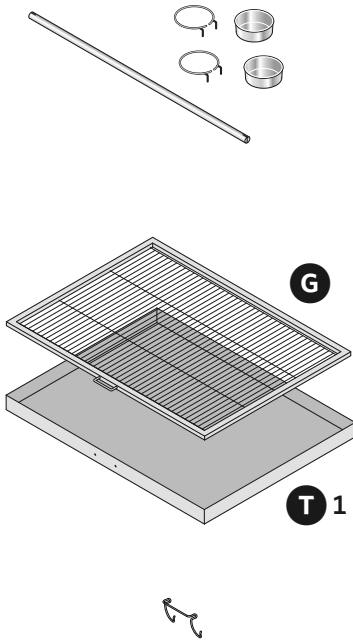
Attach the **perch bar unit** to the rooftop frame with **long** hex screws.

Insert the **ladder** by first inserting the top posts into the bar, and then guide the lower half into the holes on the frame.

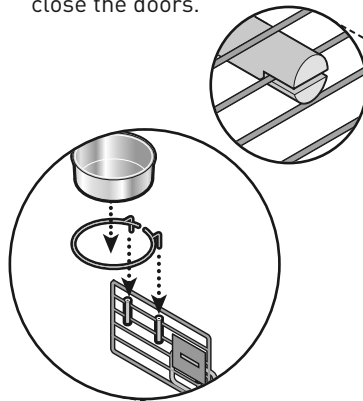
Add the **cup holders, cups and playtop perch**.
Insert the **playtop tray**.



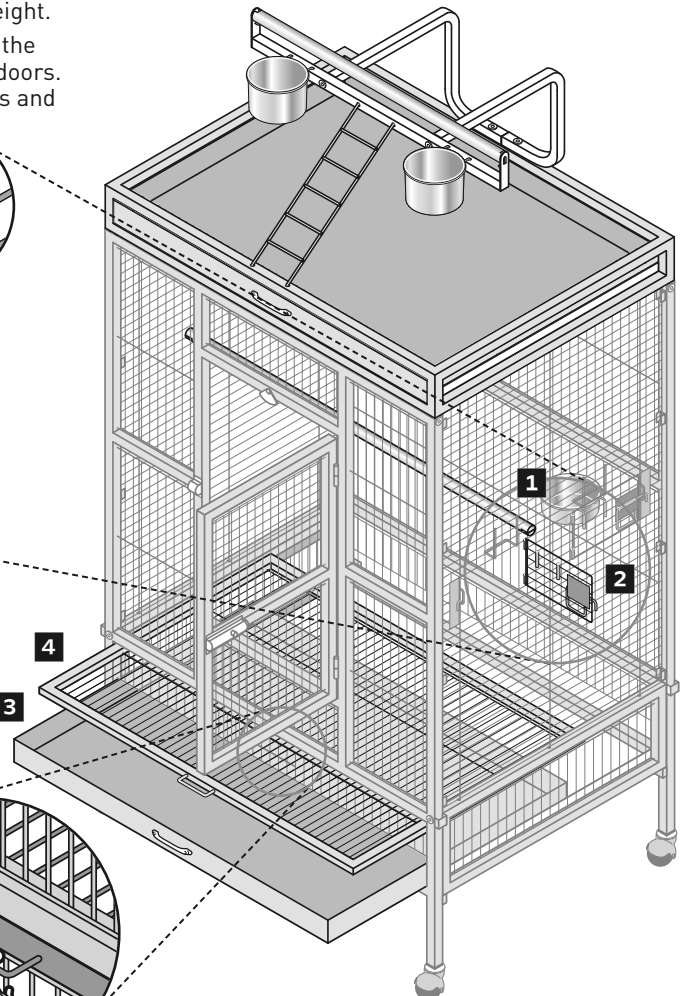
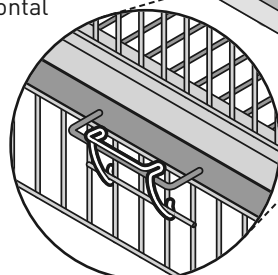
4 PIECES



- 1 Install the **cage perch** on horizontal wires of an equal height.
- 2 Insert the **cup holders** into the corresponding sleeves on the doors. Insert the **cups** into the holders and close the doors.



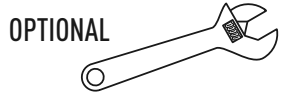
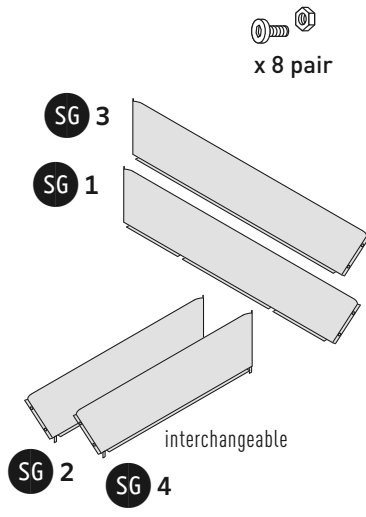
- 3 Slide the **tray**—with the handle installed—into the bottom track.
- 4 Insert the **grille** into the opening above the tray. Catch the **grille clip** onto the short horizontal wire and hook it over the grille handle to lock the grille in place.



5 PIECES



* Seed guards 2 and 4 have tabs along the bottom edge.



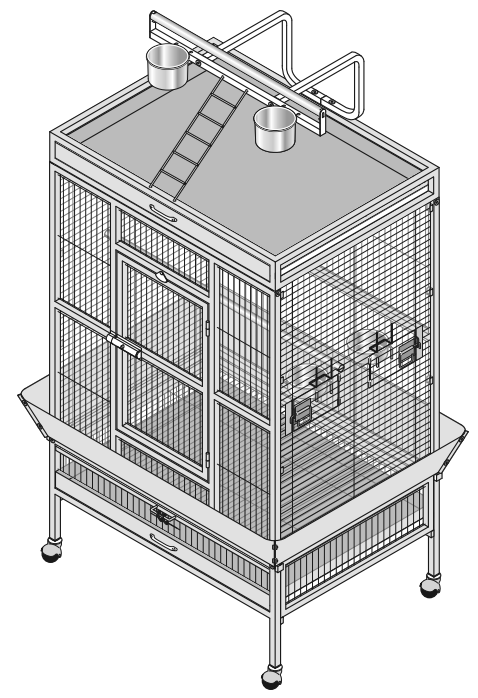
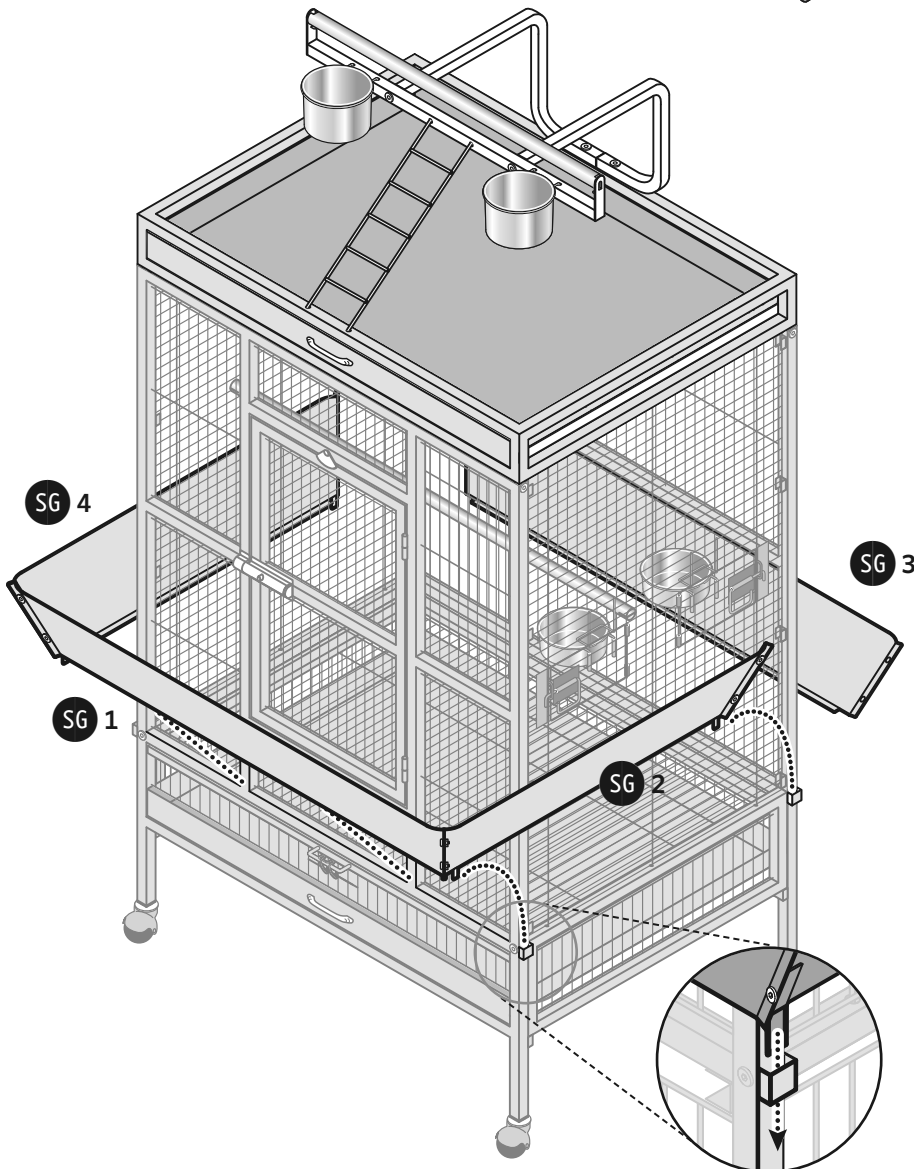
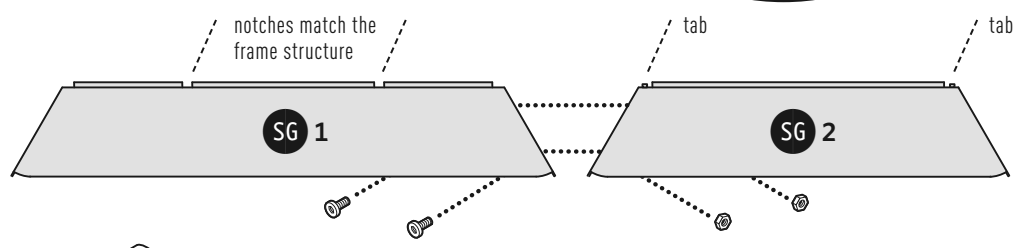
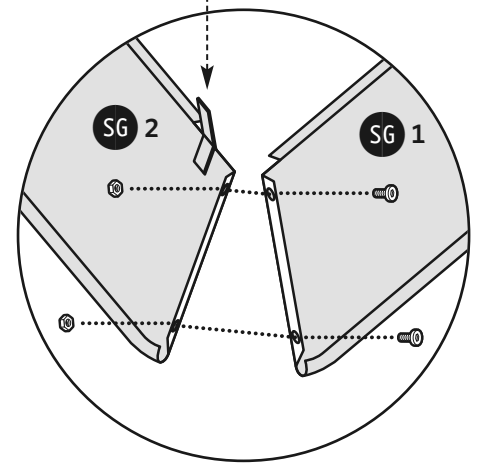
Assemble three sides of your seed guards on the floor:
 Start with the guards upside down:
 ● SG 1, with the notches up
 ● SG 2, with the tabs up

Attach the two guards together with the hex screw/nut pairs.

Add ● SG 4 (with tabs up) to the other end of ● SG 1.

Carefully turn the assembled unit over and insert the tabs into the sleeves on the frame, and match the notches along the front to the cage frame.

Attach the remaining seed guard to the open ends at the back corners.



Assembly completed. ■