



**KEY:**

- DB = Daybed
- JP = Jute Post
- FP = Fabric Post
- SH = Square Hideaway
- RH = Rectangle Hideaway
- P = Platform
- B = Base


**HARDWARE INCLUDED:**

 **Phillips-head Screw**  
16 pieces


 **Short Hex Screw**  
1 piece

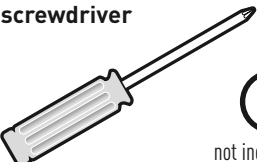

 **Medium Hex Screw**  
3 pieces

 **Long Hex Screw**  
1 piece

 **Screw Post**  
1 piece

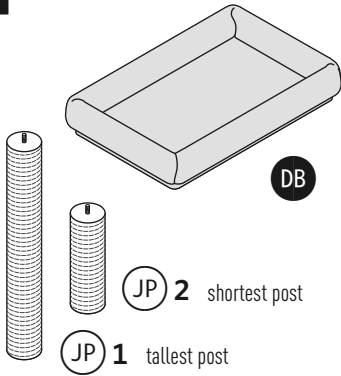
**TOOLS:**

**Hex Key**  
 included

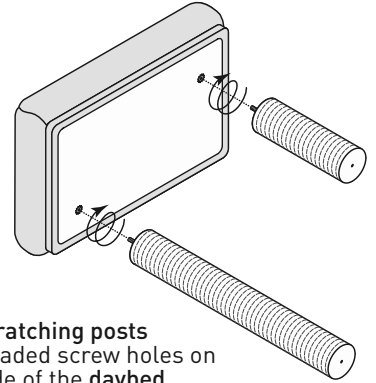
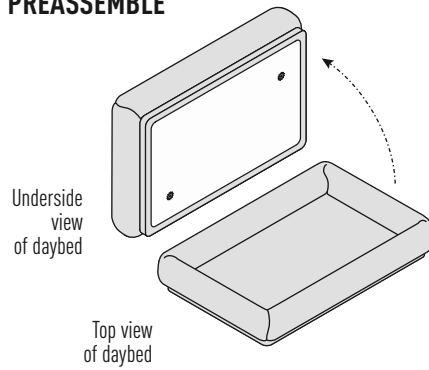
**Phillips-head screwdriver**  
  not included

TOOLS REQUIRED: Hex Key (included) & Phillips-head Screwdriver (not included) • Follow the Assembly Steps in the order presented.

**1a** PIECES

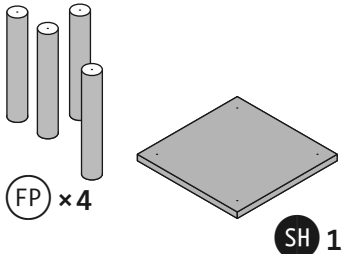
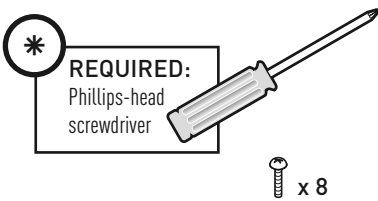


**PREASSEMBLE**

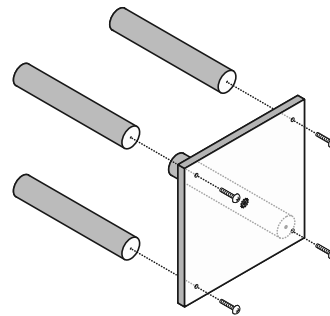
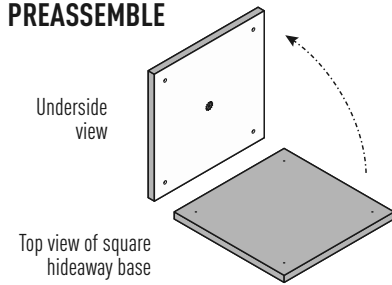


Twist the scratching posts into the threaded screw holes on the underside of the daybed.  
Set aside for Step 2.

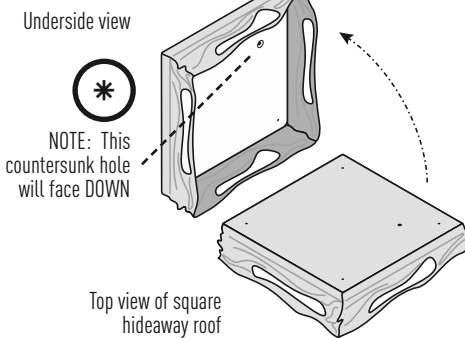
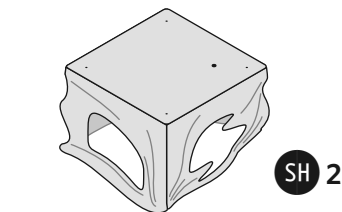
**1b** PIECES



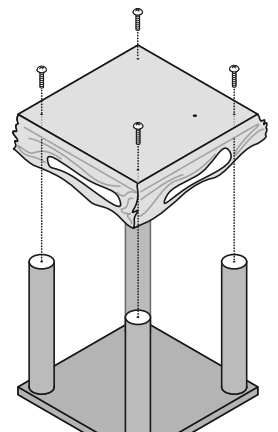
**PREASSEMBLE**



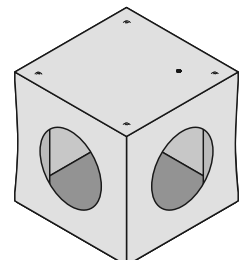
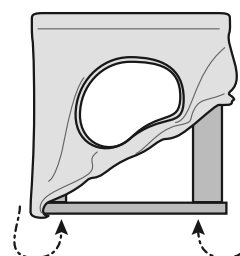
Attach the fabric-covered posts to the fabric-covered base using the round-top phillips-head screws.



Attach the hideaway roof to the posts using the round-top phillips-head screws.

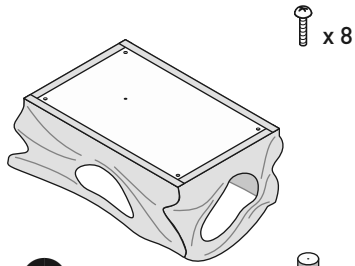


Pull the fitted cover over the assembled unit and down under the base.  
Align the seams at the corners for a clean appearance.  
Set this unit aside for Step 2.



\* **PRO TIPS** Adjusting the fabric covers to look picture-perfect takes a little extra attention. We've got some Pro Tips at the end of STEP 1c.

# 1c PIECES



RH 2

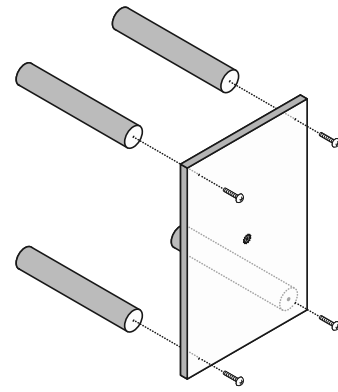
FP x 4

RH 1

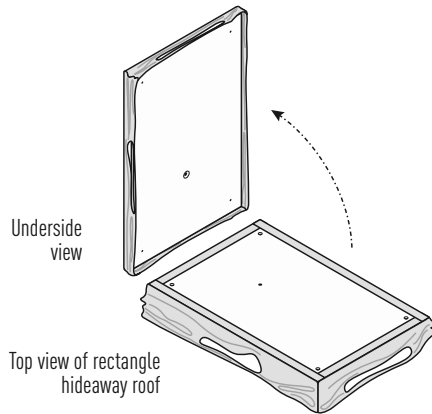
## PREASSEMBLE

Underside view

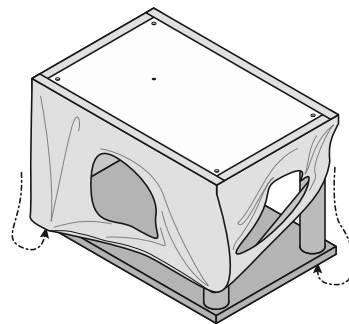
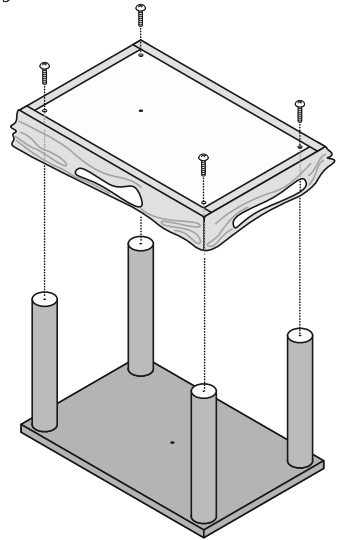
Top view of rectangle hideaway base



Attach the fabric-covered posts to the fabric-covered base using the round-top phillips-head screws.



Attach the hideaway roof to the posts using the round-top phillips-head screws.



Pull the fitted hideaway cover over the assembled unit and down under the base. Align the seams at the corners for a clean appearance.

Set aside for Step 2.



### PRO TIPS

In STEP 2, you'll be assembling the full structure. As hideaways are attached to platforms, the fabric will be prone to shift, pucker, bunch or skew. To achieve a picture-perfect appearance, here are two methods that may help:

#### PRO TIP ONE: Tape it down

Adjust the fabric so seams align with corners and the openings are near-perfect circles. Tape the fabric to the base to hold it in position. The tape will be hidden when fully assembled. *OR...*

#### PRO TIP TWO: Tuck and tighten

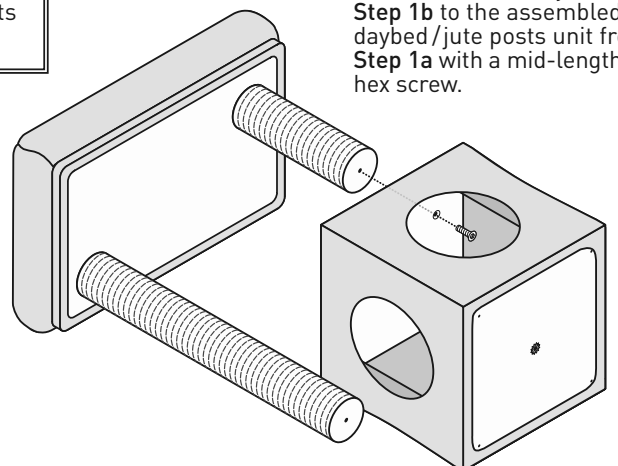
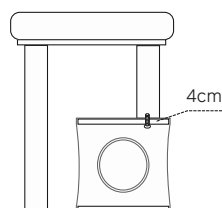
Attach the hideaways and platforms as follows, but leave the screws loose. Spot-tuck the fabric with a butter knife to adjust, and tighten the screws when you're satisfied with the appearance.

# 2 PIECES

x 1 (of 3)  
mid-length hex screw

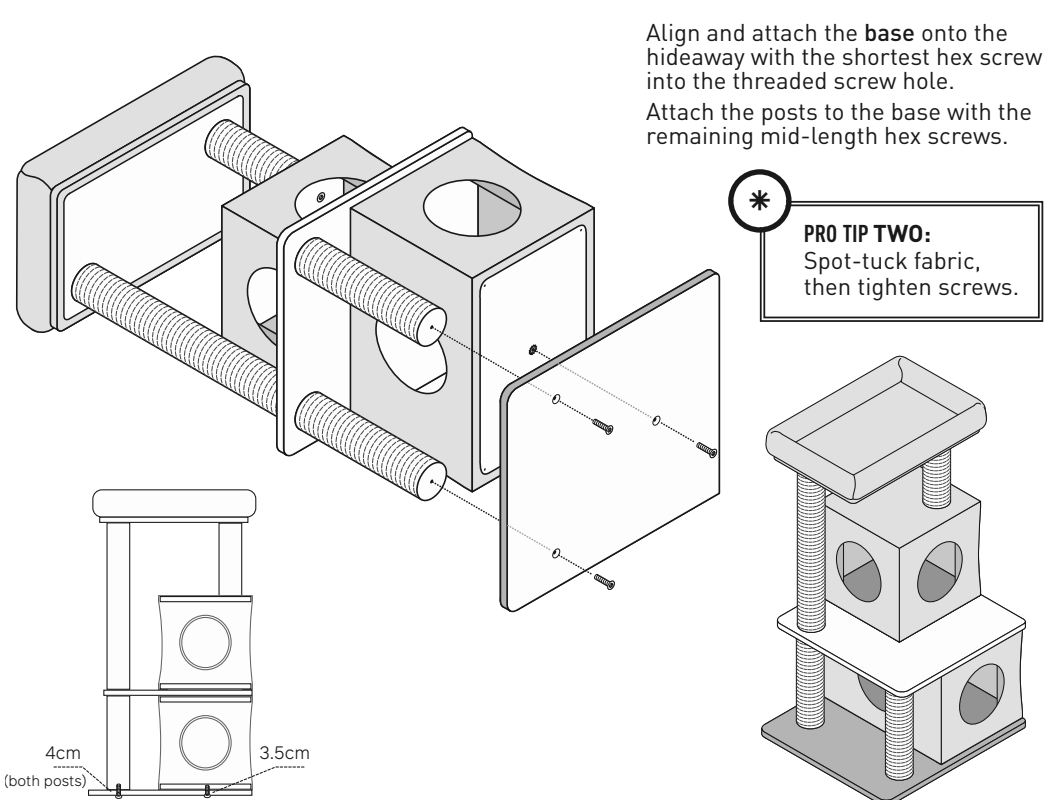
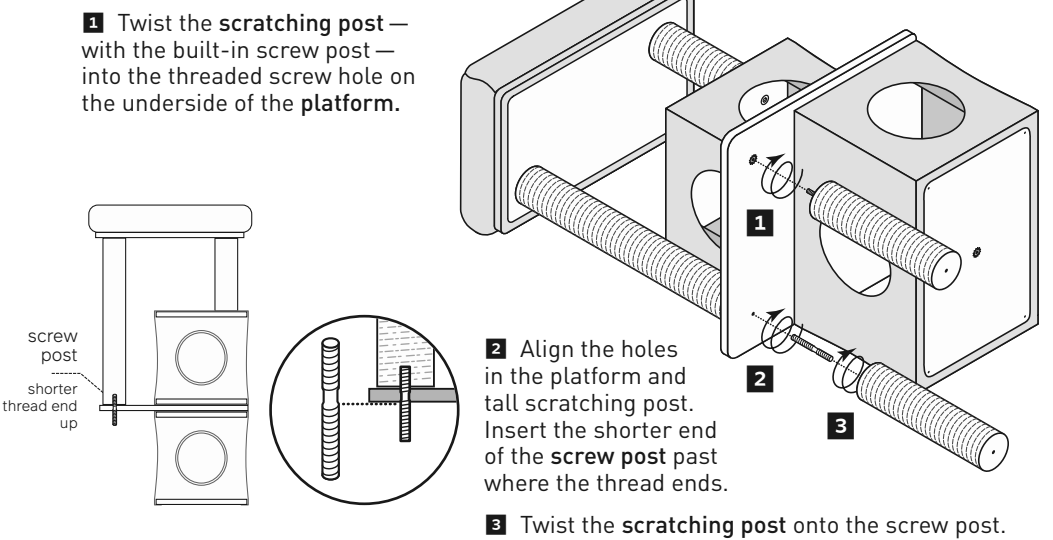
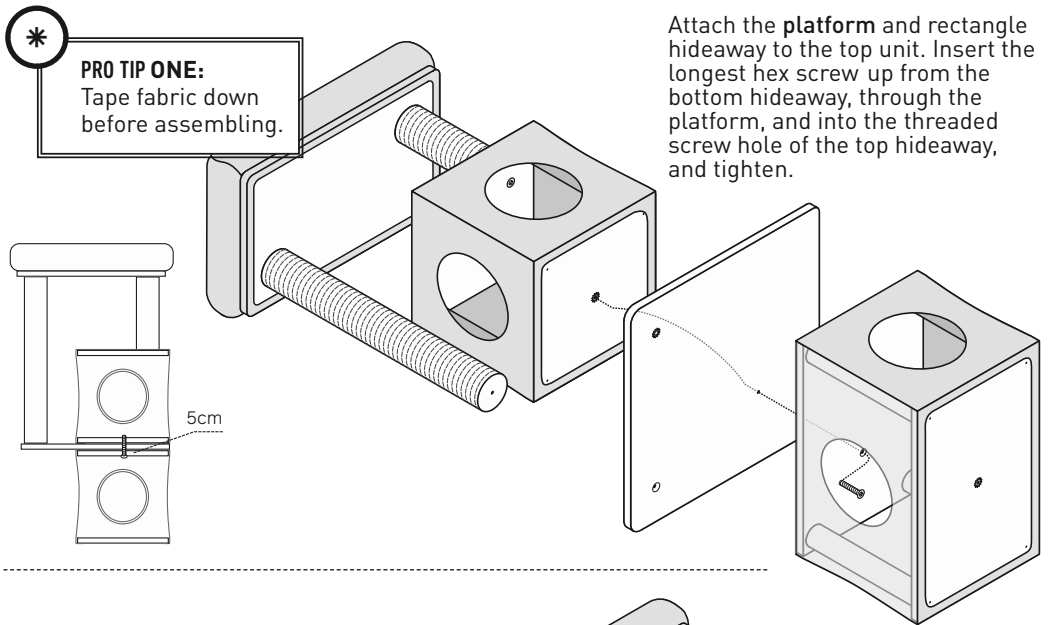
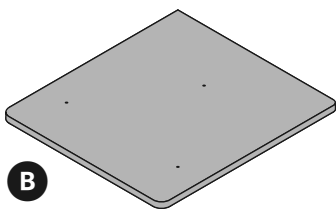
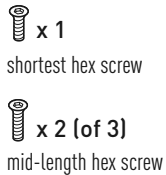
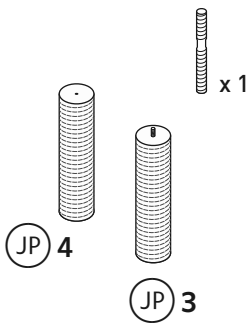
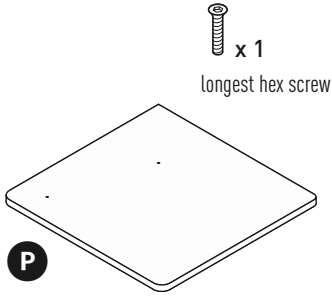


Assembly will be made easier by laying the assembled units on the floor as illustrated.



Attach the hideaway from Step 1b to the assembled daybed/jute posts unit from Step 1a with a mid-length hex screw.

# 2 continued...



Assembly completed.