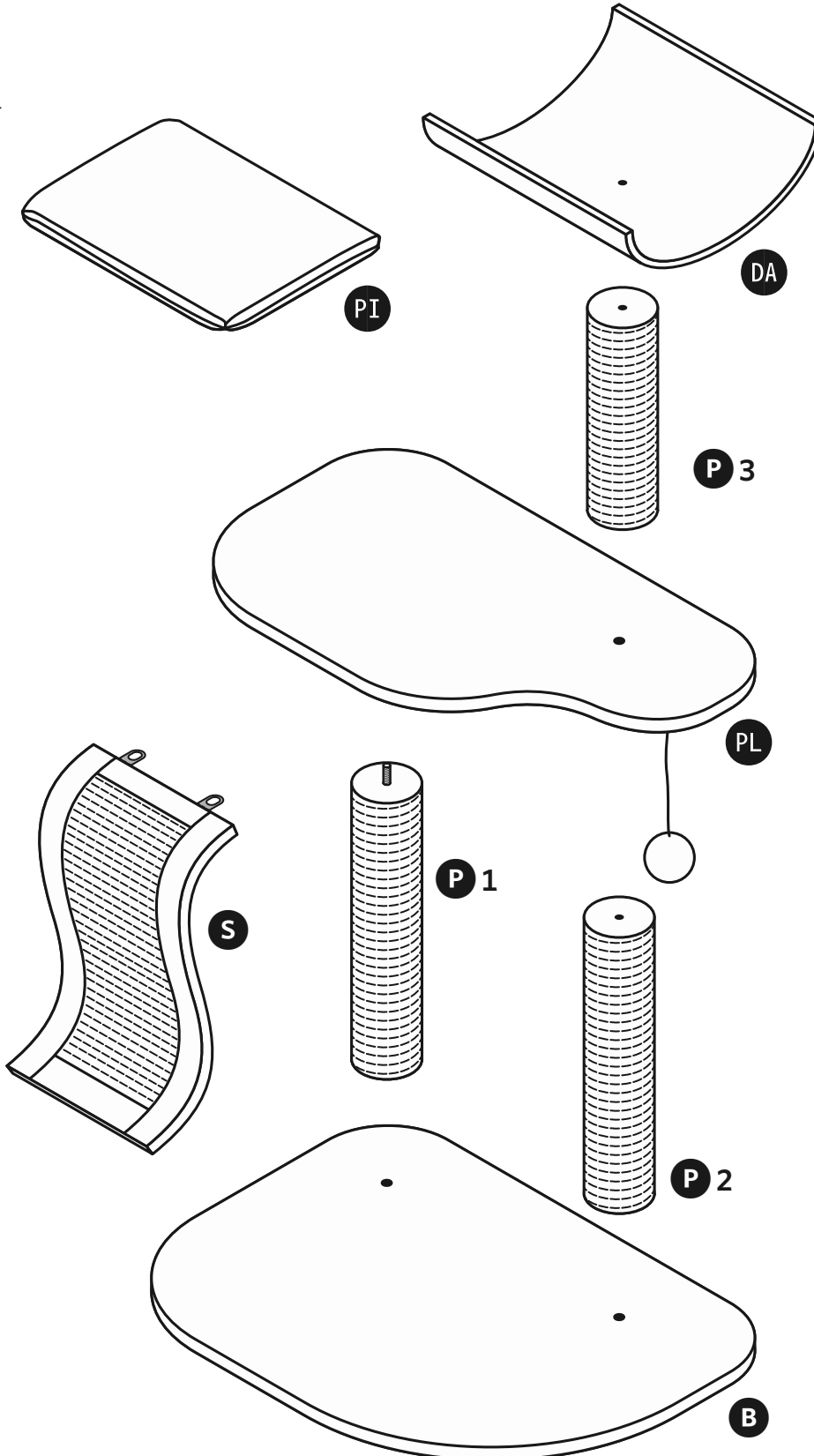



KEY:

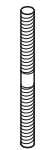
- PI = Pillow
- DA = Day Bed
- P = Post
- PL = Platform
- S = Scratcher
- B = Base



HARDWARE INCLUDED:

 **Short Hex Screw**
2 pieces

 **Long Hex Screw**
3 pieces

 **Screw Post**
1 piece

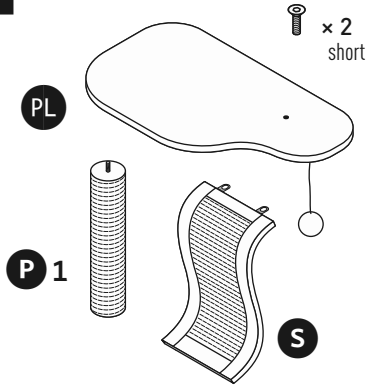
TOOLS:

Hex Key

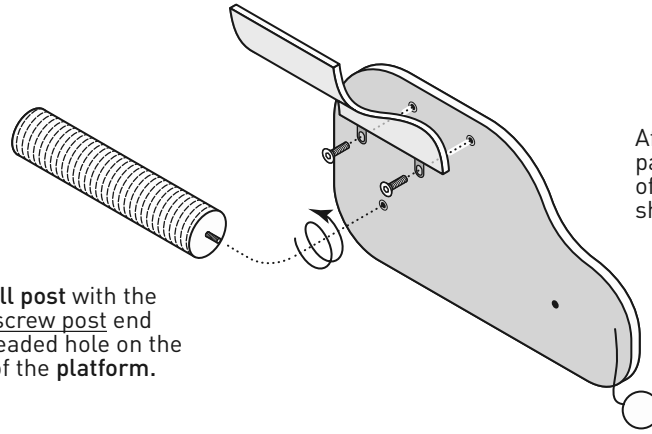


For the best results, follow the Assembly Steps in the order presented.

1 PIECES

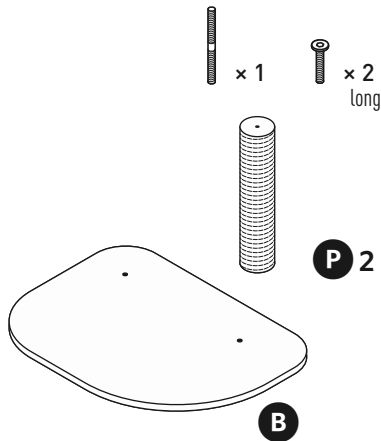


Twist the **tall post** with the **integrated screw post** end into the threaded hole on the underside of the **platform**.

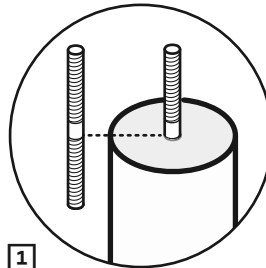


Affix the **wave scratcher panel** to the underside of the **platform** with the short hex screws.

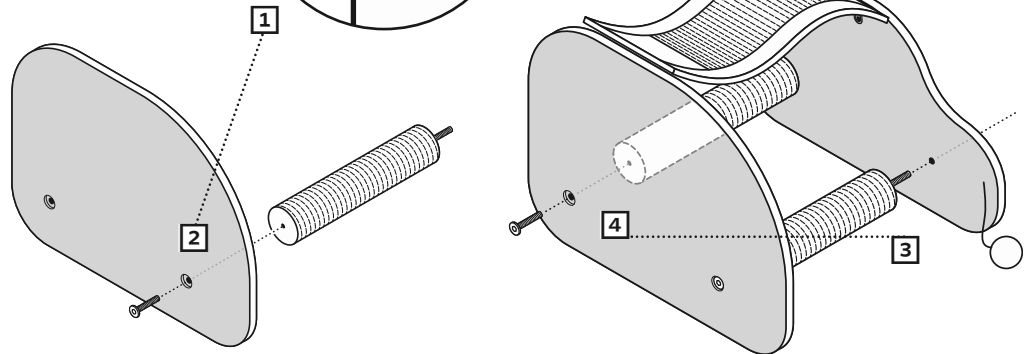
2 PIECES



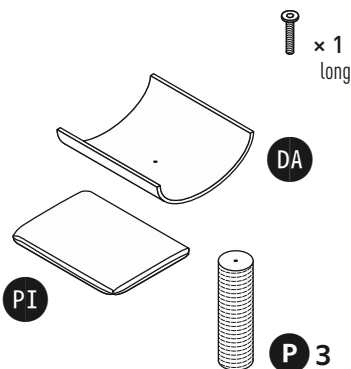
- 1 → Twist the **screw post** into the remaining **tall post**.
- 2 ↓ Attach the **post** to the **base** with a long hex screw.



- 3 ↓ Slide the **screw post end** of the right post into the hole in the **platform**.
- 4 ↓ Attach the **base** to the left post with a long hex screw.



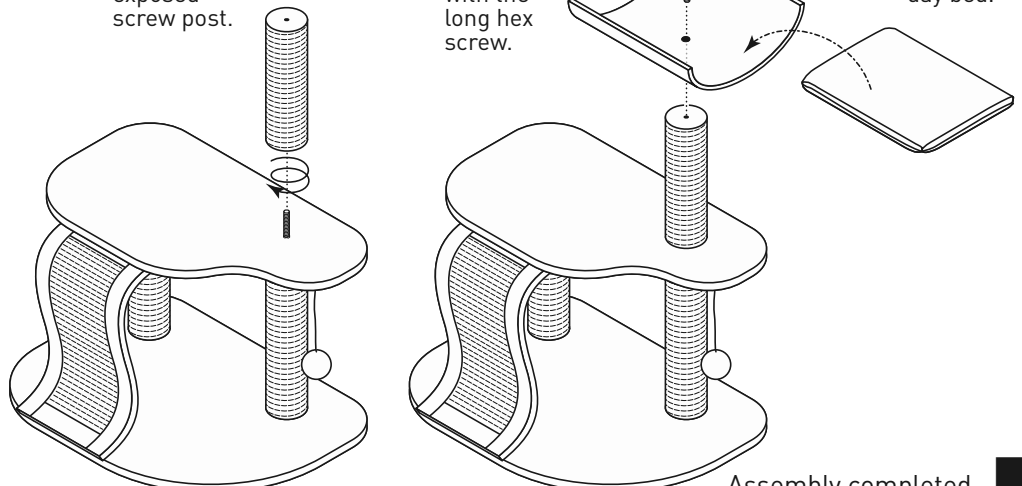
3 PIECES



Twist the **short post** onto the exposed **screw post**.

Attach the **day bed** to the post with the long hex screw.

Add the **pillow** to the day bed.



Assembly completed.