

# Stainless Steel Home Series

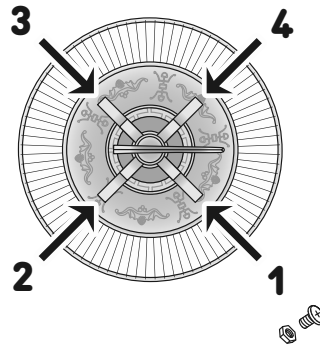
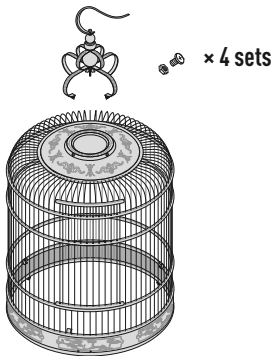
#150 Lotus • #151 Empress • #152 Dynasty

## read first REVIEW BEFORE ASSEMBLY

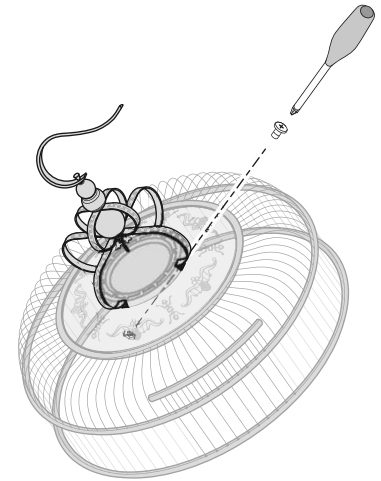
- **NOTE:** Assembly is the same for all Stainless Steel models.
- **TOOLS:** A small head Phillips screwdriver is required.

For assistance or replacement parts, please contact Prevue:  
**TOLL-FREE** 800.243.3624  
**ONLINE** [www.prevuepet.com](http://www.prevuepet.com)  
**EMAIL** [customerservice@prevuepet.com](mailto:customerservice@prevuepet.com)

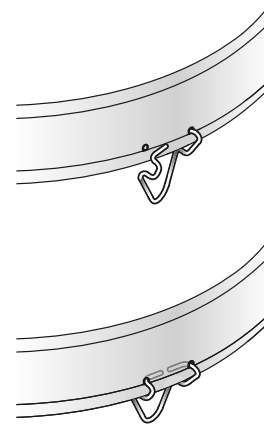
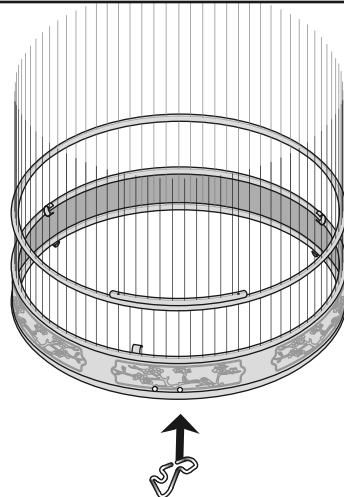
**1** To install the **FINIAL**, you will need these pieces:



Finial attaches to the roof in four places. Hold the nut in place on the inside and, from the outside, screw in the phillips head screw.

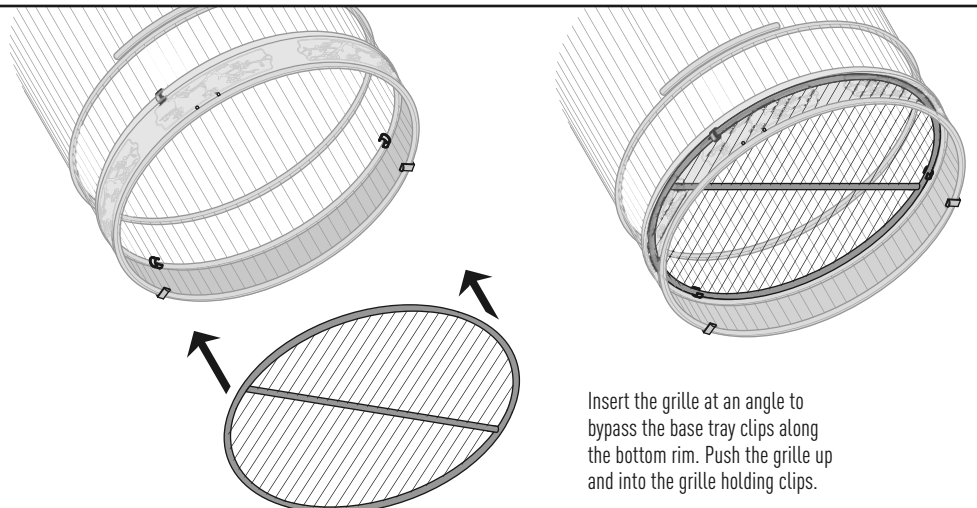
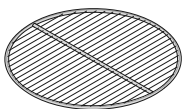


**2** To attach the tray base, you will first need to install the wire **TRAY CLIP** piece:



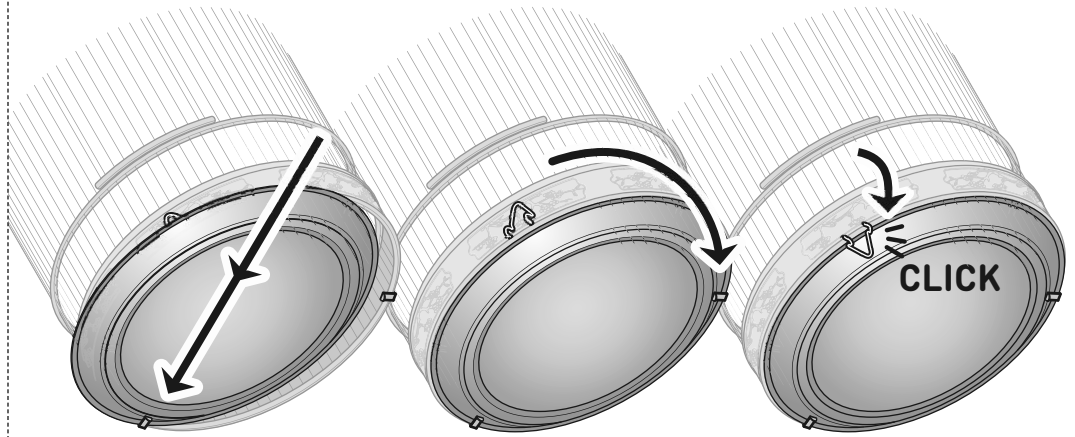
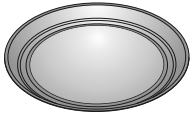
Insert the wire tray clip into the holes along the bottom lip of the cage body.

**3** To install the **FLOOR GRILLE**, you will need this piece:



Insert the grille at an angle to bypass the base tray clips along the bottom rim. Push the grille up and into the grille holding clips.

**4** To install the **TRAY BASE**, you will need this piece:

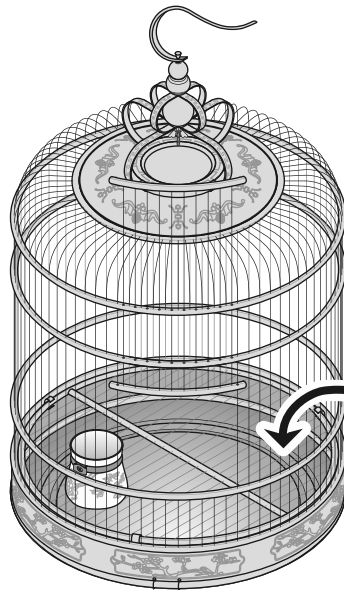


With the tray base off-center, tuck the lip into one of the integrated base clips...

...rotate the base to tuck the lip into the second clip...

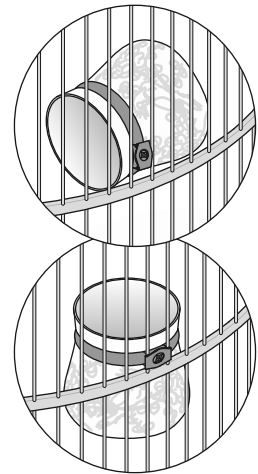
...and lock the base into place with the wire clip.

**5** To attach the **FOOD/WATER CUPS**, you will need these pieces:

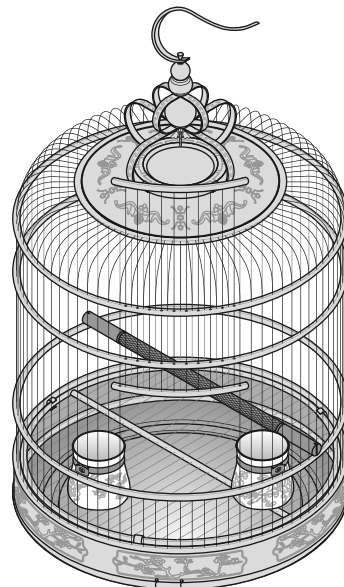


Turn the cup sideways, poke the knob (along the cup's metal band) through the cage wires...

...then twist the cup upright, locking the knob into the cage wires.



**6** To install the decorative **PERCH**, you will need this piece:



Insert the slotted perch ends into the vertical cage wires. Let the perch rest on the heavy horizontal bar for stability.

