

Parakeet Cage/Cage Kit ASSEMBLY

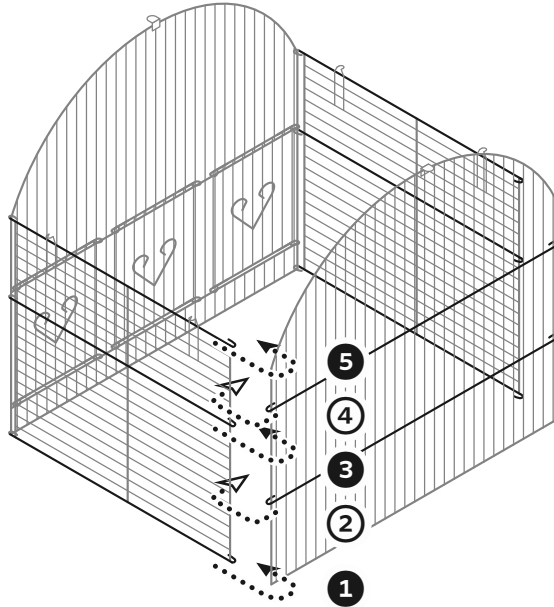
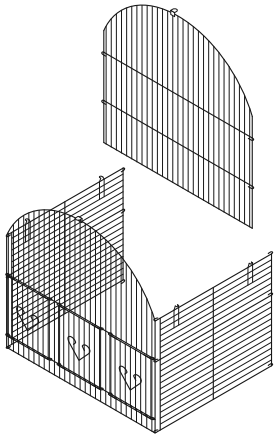
Instructions online at www.prevuepet.com

CUSTOMER SUPPORT

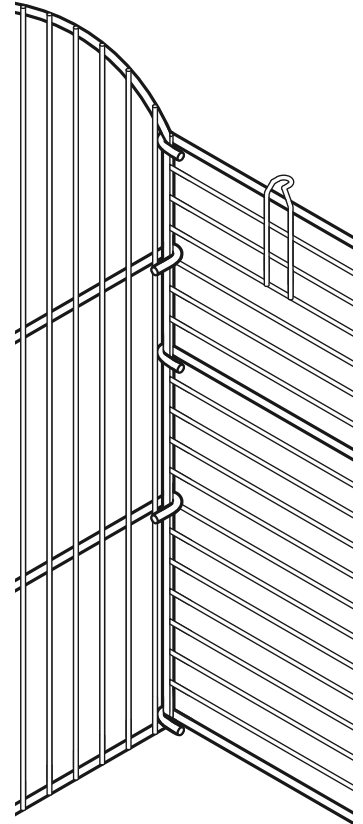
For assistance or replacement parts, please contact Prevue Pet Products:

PHONE 1 (312) 243-3624
ONLINE www.prevuepet.com
EMAIL customerservice@prevuepet.com

1 PIECES

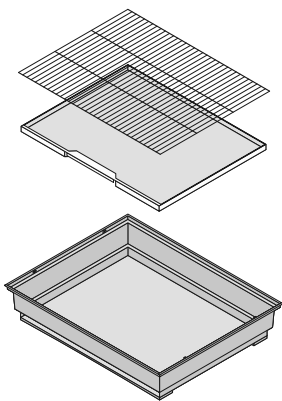


Add the back panel to the tri-panel mesh. Start at the bottom and weave the alternating hooks together up the seam. Done correctly, the seam will look like this → Use the same method for both sides.

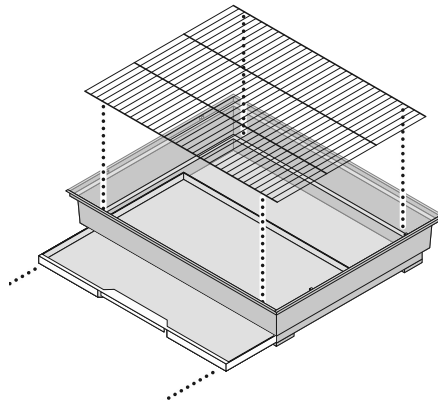


DETAIL OF INSIDE BACK, RIGHT CORNER

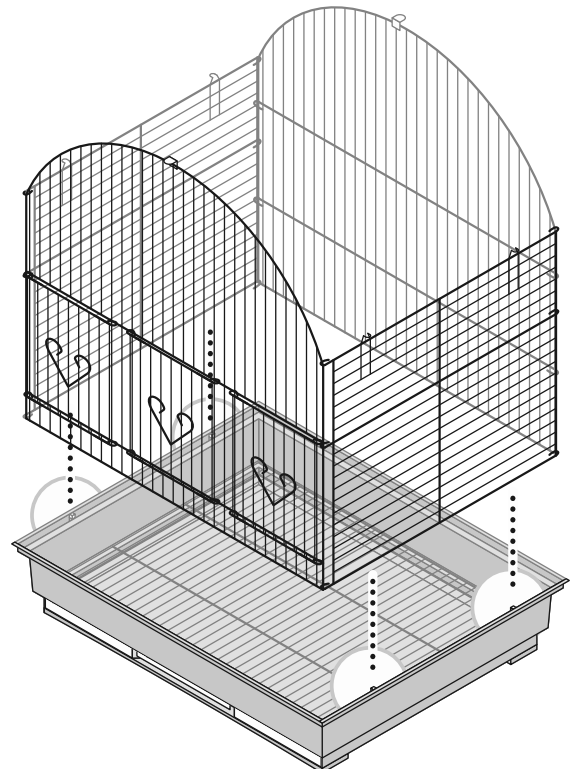
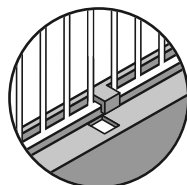
2 PIECES



Place the removable grille into the base and slide the pull-out tray into the opening.

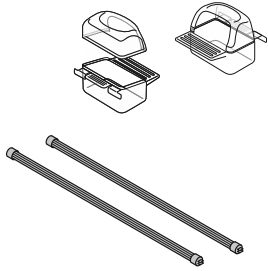


Set the assembled mesh into the base. Hook the side panels up under the extended plastic tabs along the rim of the base.

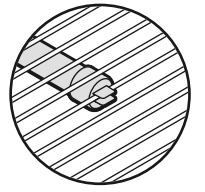
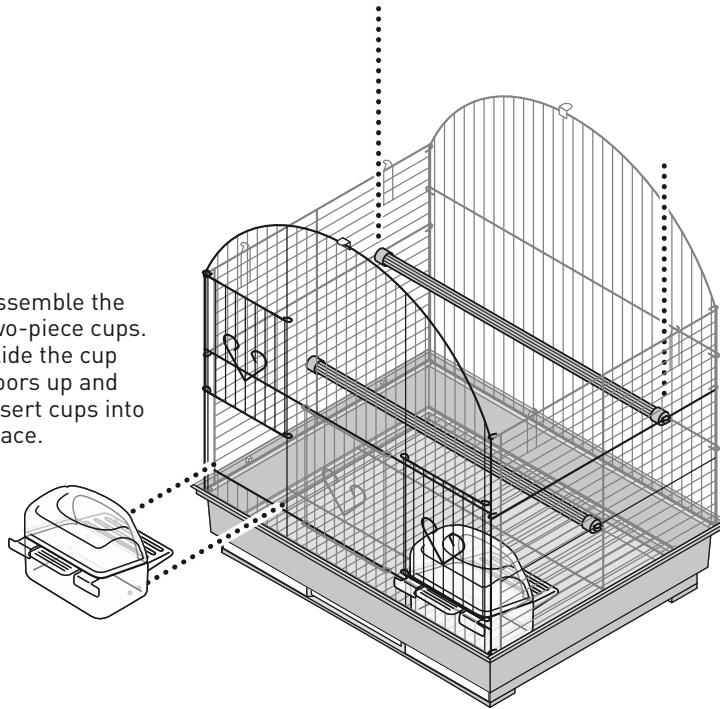


3 PIECES

SNAP THE TWO-PIECE CUPS TOGETHER

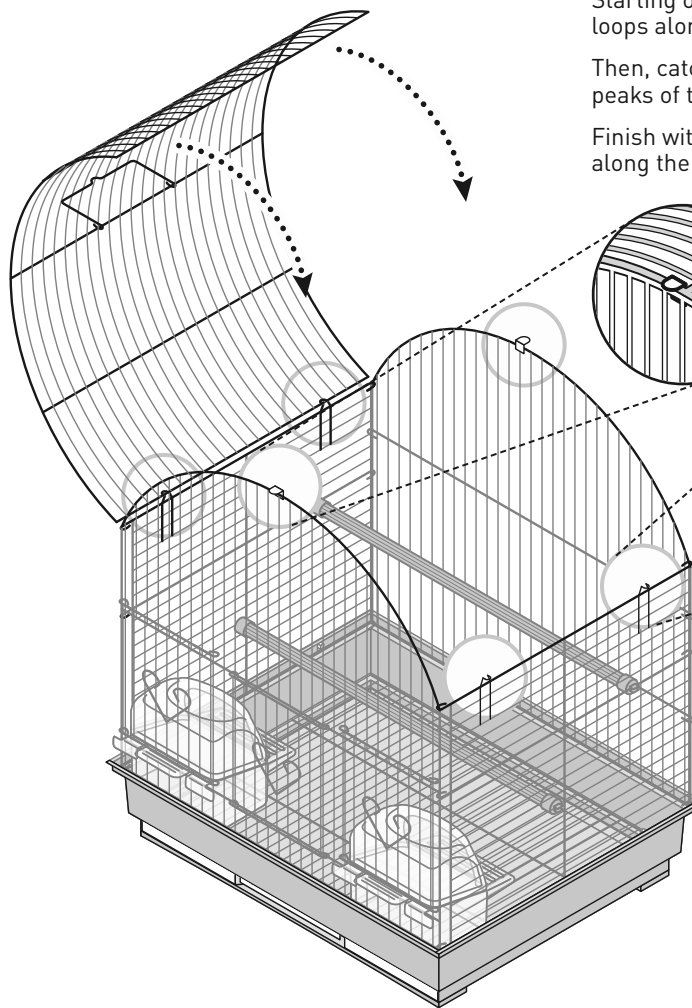
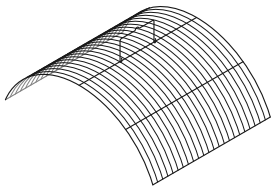


Assemble the two-piece cups. Slide the cup doors up and insert cups into place.



Install perch ends on horizontal wires of equal height.

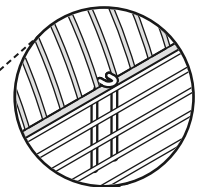
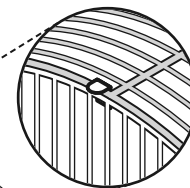
4 PIECES



Starting on one end, catch the roof on the loops along the side.

Then, catch the roof on the tabs at the peaks of the front and back panels.

Finish with catching the roof on the loops along the opposite side.

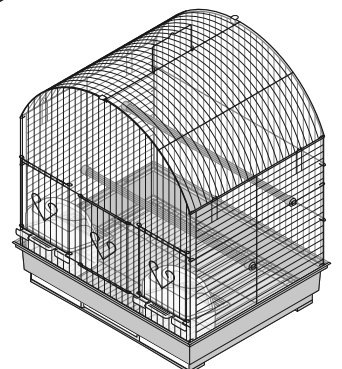


*

CLEANING INSTRUCTIONS

To prolong the life of your new Prevue Pet Products cage, we recommend:

- When cleaning the cage and parts, use a soft cloth or non-abrasive scrub pad (such as Prevue's #109 Cage Saver).
- Wash all parts with warm water and a mild, pet-safe, environmentally friendly soap.
- Rinse thoroughly.
- Hand dry all parts completely with a soft dry cotton cloth before reassembling the cage.
- Do not leave plastic parts in the sun to dry as they may warp.



Assembly completed. ■