



Home On-the-Go Dog Crate

SET-UP

These instructions also online at www.prevuepet.com

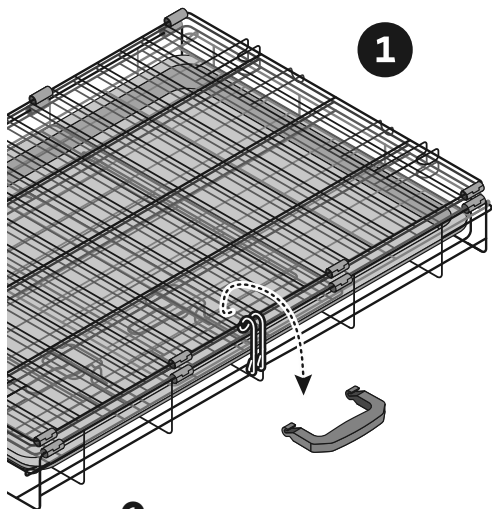
CUSTOMER SUPPORT

PHONE 1 (312) 243-3624

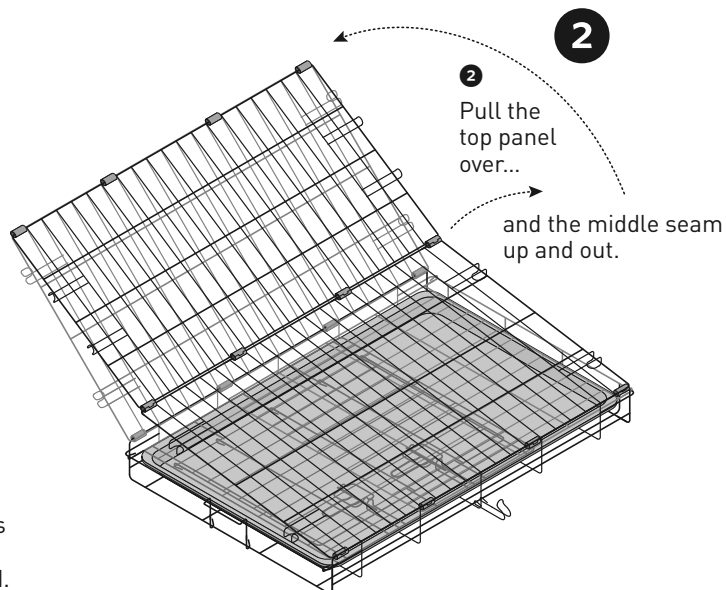
ONLINE www.prevuepet.com

EMAIL customerservice@prevuepet.com

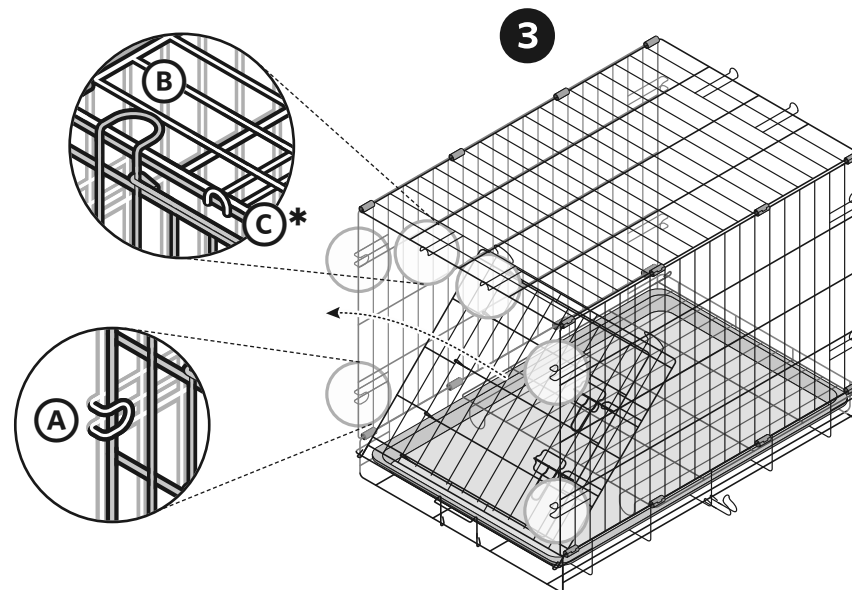
NO TOOLS REQUIRED • Set-up or fold flat for storage. Steps are similar across all Prevue Dog Crate models.



1 Unfasten the wire clip holding the panels together. Clip stays hinged to the wire. The handle may be removed, if preferred.

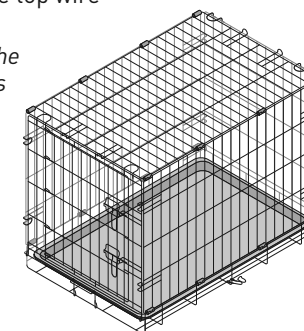
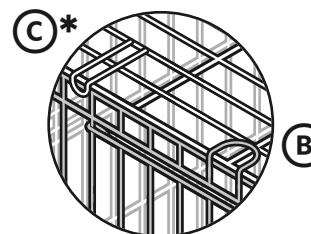


2 Pull the top panel over... and the middle seam up and out.



3 Pull both end panels upright. Vertical edges will catch on the hooked loops **A**. Along the top, push the roof down to:
1.) pull the extended loops **B** over the roof and
2.) catch the extended loops **C*** under the top wire of the front/back panels.

*NOTE: Models may vary. On larger crates, the extended loops may be in different positions and **C*** may be pointed down.*



Assembly completed. ■

To remove the tray for cleaning:

A wire clip holds the tray in position. Unhook the clip from the horizontal wire and slide the tray out.

