

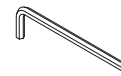
KEY:

L = Left Side B = Back
R = Right Side F = Front
CM = Center/ MidLevel Floor

HARDWARE :



Hex Screws • 10 pcs



Hex Key



These pieces are interchangeable:

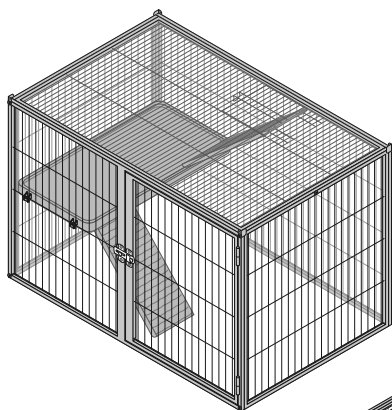
L = **R**

ADD-ON SET: WHAT IT IS / WHERE TO ADD IT

The **Add-On Set** is essentially an entire floor unit, complete with a platform and ramps. The floor unit can be added at any of the locations indicated by the (▶) symbol on the diagrams below.

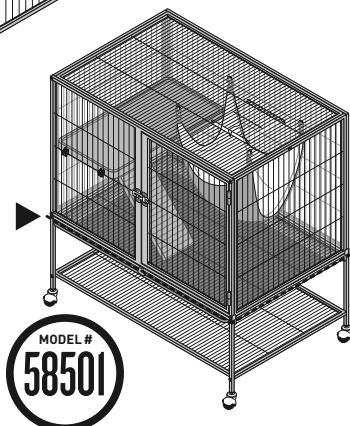
Our recommended insertion point for the Add-On Set is indicated by the (*). Adding the extra floor under the top-most unit will be easiest for assembly.

IMPORTANT NOTE:
If you are adding an additional floor to the 3-Story (#58503) model, you will need the help of an assistant. Any Ferret Stack over three floors will need to be anchored to the wall for stability.

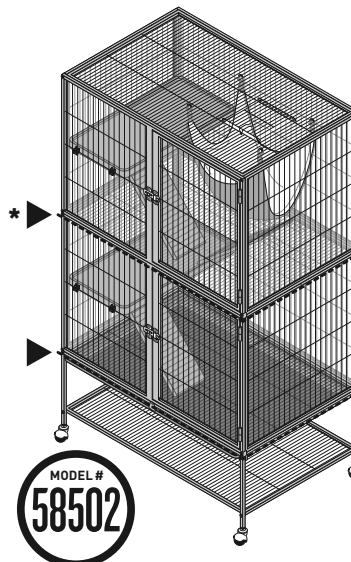


MODEL #
58500

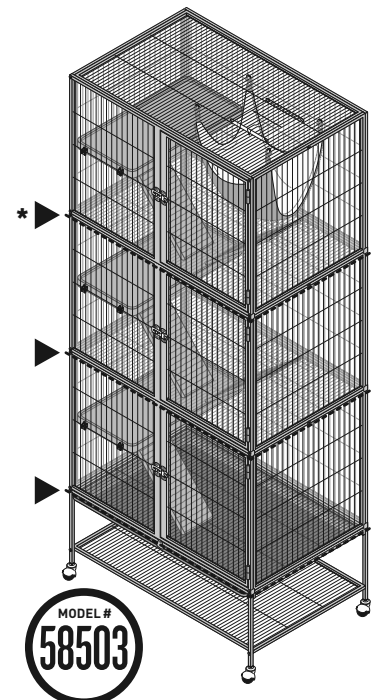
An isolated view of the assembled unit



MODEL #
58501



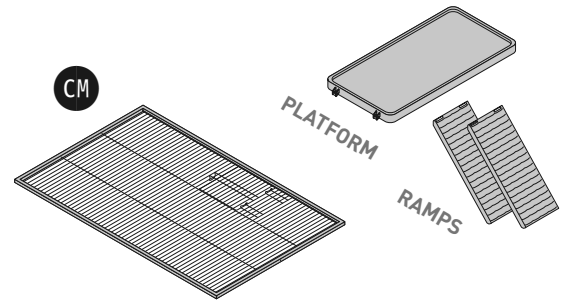
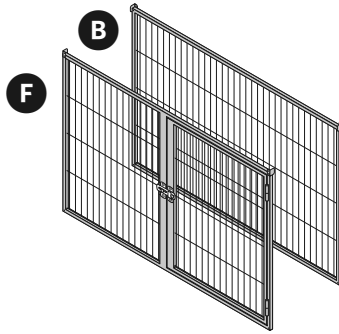
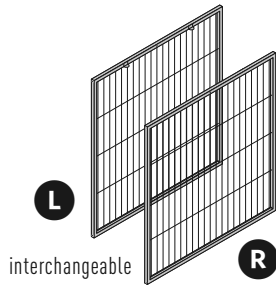
MODEL #
58502



MODEL #
58503

1 PIECES

 x 10



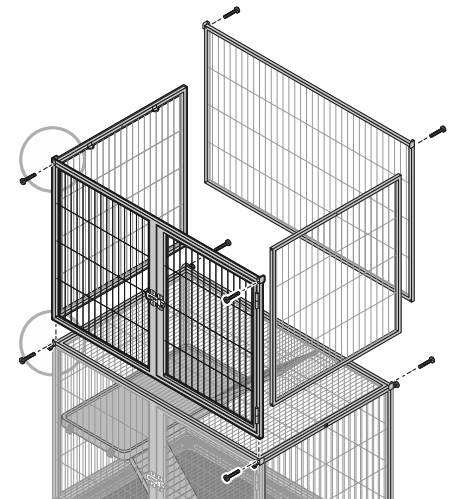
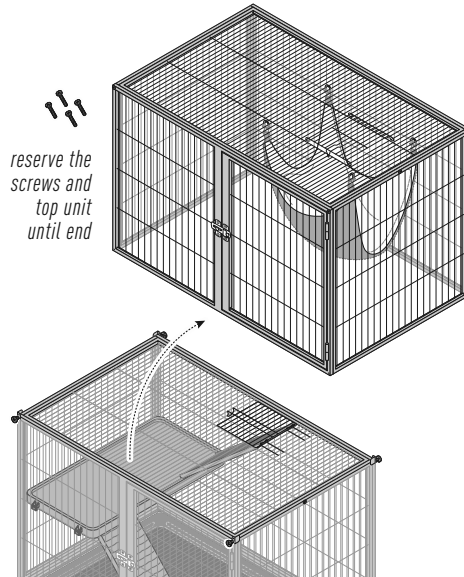
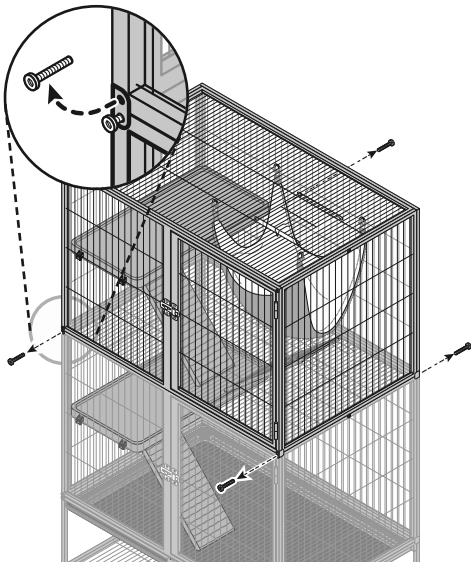
At the lower-corner bracket:

- REMOVE the top-hole screws
- LOOSEN the bottom-hole screws

You may want to take out the platform & ramp.

- REMOVE the entire top floor unit.
- Reserve the four screws for re-attachment.

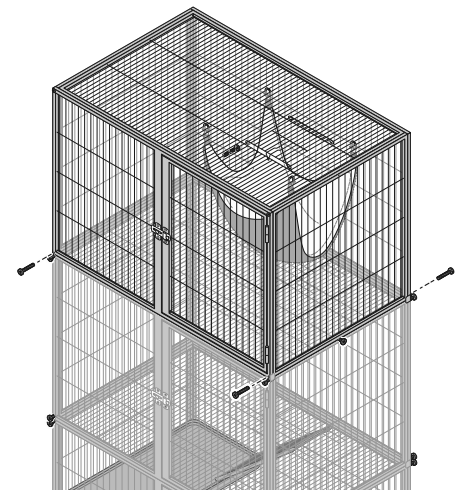
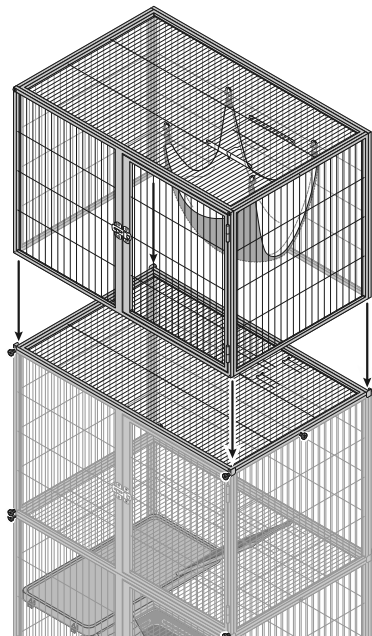
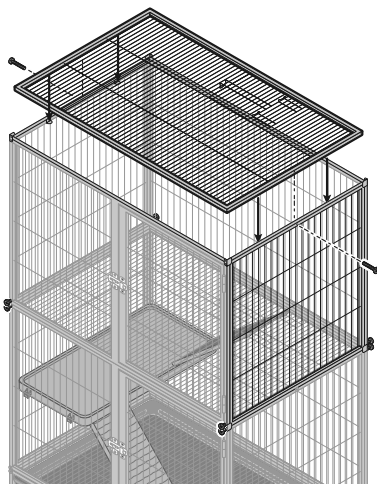
- Stand the ADD-ON left side and front panels in position and hand-tighten hex screws in the bottom hole of the top bracket and the open hole at the base.
- Continue adding and attaching the back and right side panels with hand-tightened hex screws.



- Place the ADD-ON mid-level floor panel in position and attach with a hand-tightened hex screw, one at each end.

- REPLACE the top unit onto the ADD-ON floor addition.

- Attach the top floor unit with the four screws reserved at the beginning.
- **Tighten ALL screws with the hex key until snug.**
- Replace platforms and ramps.



Assembly completed. 