




**KEY:**

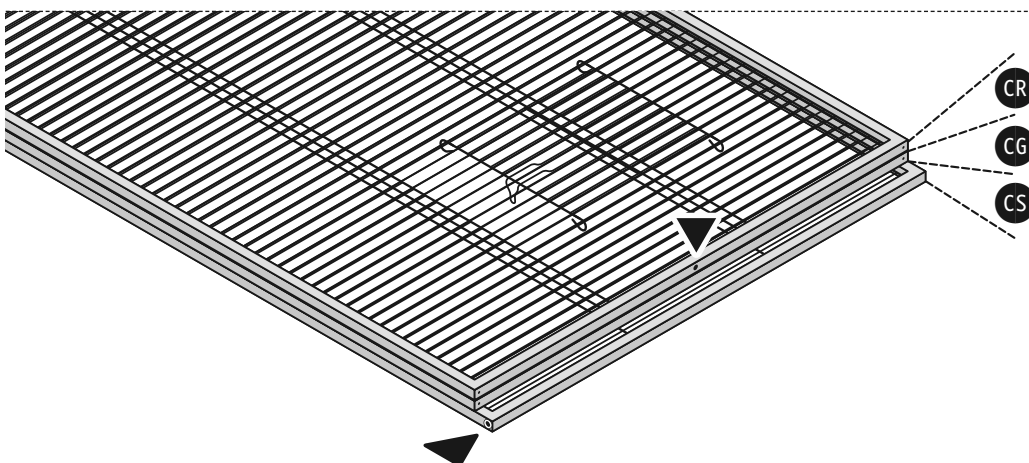
- L = Left Side
- B = Back
- F = Front
- R = Right Side
- CR = Center/Roof
- CG = Center/  
Floor Grille
- CT = Center/Tray
- CS = Center/Shelf

**HARDWARE  
& TOOLS:**

-  **Hex Screws**  
18 pcs
-  **Hex Key**
-  **Casters**  
4 pcs

**\*** These pieces are interchangeable:  
**L 1 = R 1**  
**L 2 = R 2**

**HOW TO TELL THE DIFFERENCE:** Several parts and panels may look similar. Here's how to tell the difference:



**CENTER PANELS**

The roof panel (CR) has an attached sliding door on top, and a screw hole on both ends of the frame.

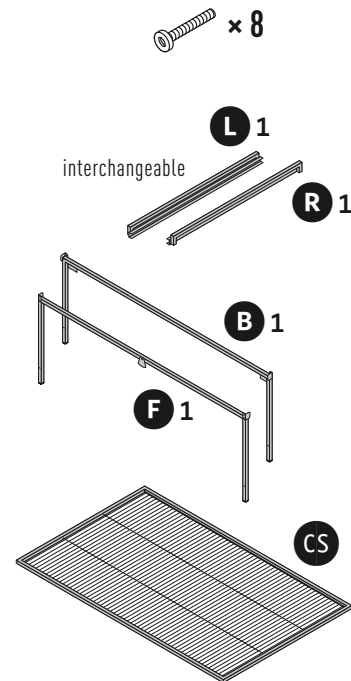
The ground floor grille panel (CG) has NO door and NO screw hole on the ends.

The shelf (CS) is longer, and has threaded screw holes on the front and back corners of the frame.

**NO ADDITIONAL TOOLS REQUIRED** • For best results, follow the Assembly Steps in the order presented.

**KEY:**  
L = Left Side  
B = Back  
F = Front  
R = Right Side  
CR = Center / Roof  
CG = Center / Floor Grille  
CT = Center / Tray  
CS = Center / Shelf

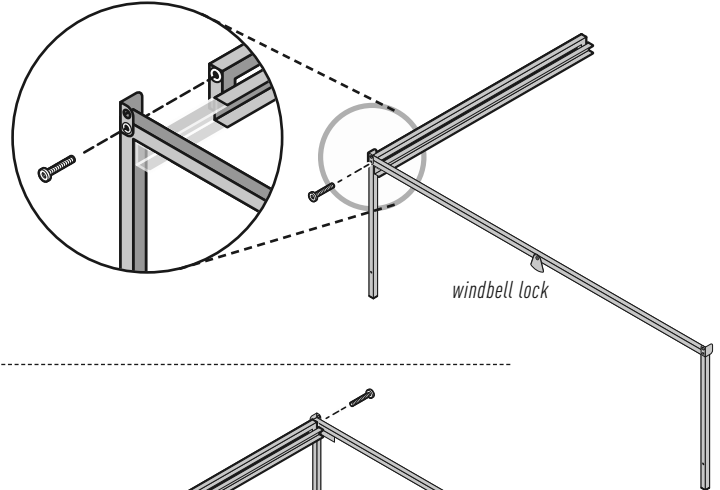
**1** PIECES



Orient the **front legs (F1)** with the windbell lock facing forward.

The extended portion of the **tray channel rail (L1)** dovetails into the inside of the frame leg.

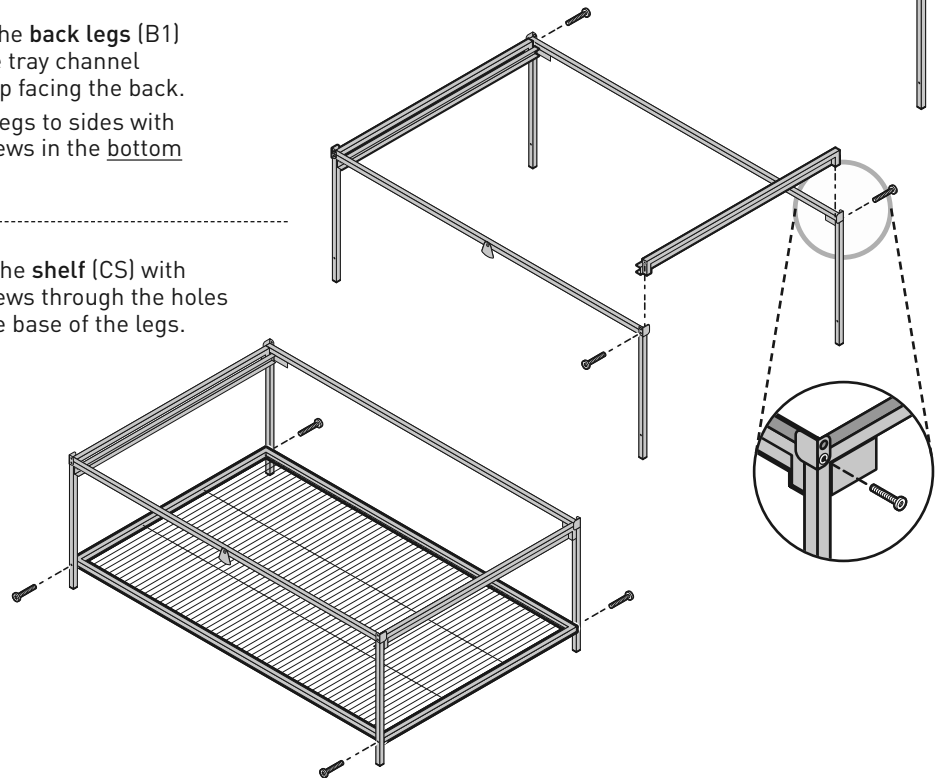
Attach frames together with a hex screw through the **bottom** hole.



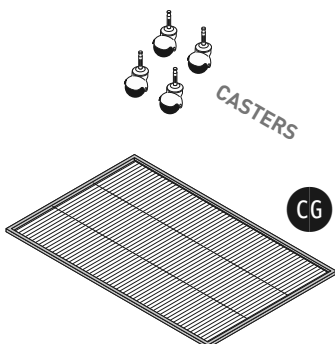
Orient the **back legs (B1)** with the tray channel backstop facing the back.

Attach legs to sides with hex screws in the **bottom** holes.

Attach the **shelf (CS)** with hex screws through the holes near the base of the legs.

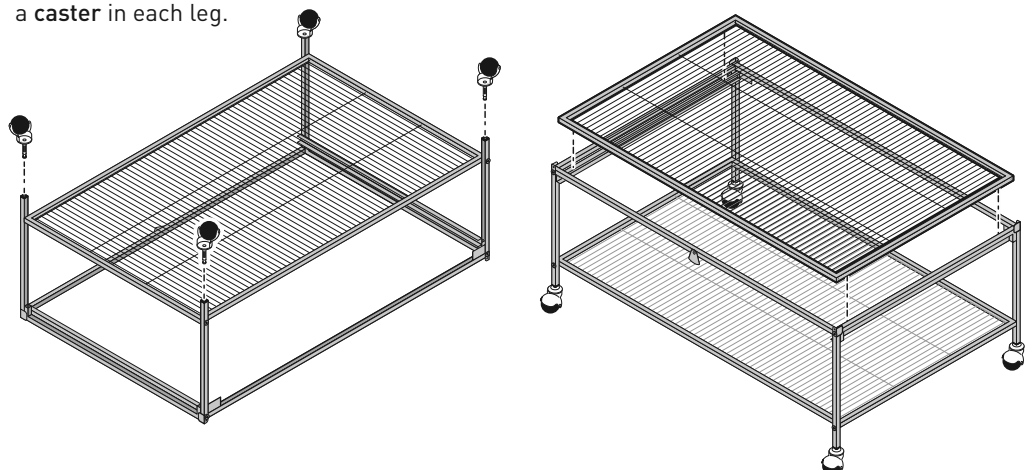


**2** PIECES



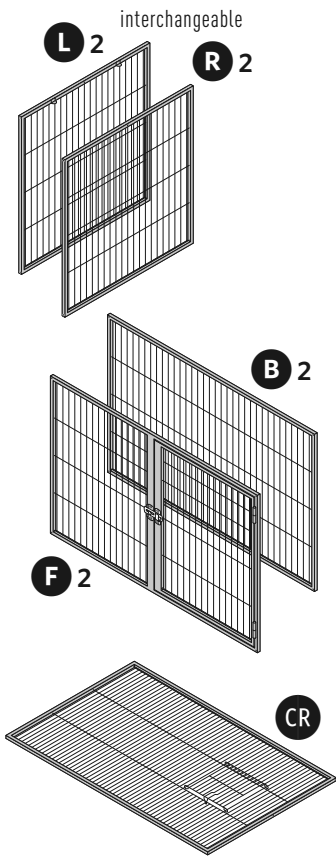
Turn the assembled unit upside down. Fully insert a **caster** in each leg.

Turn it right-side up and set the **floor grille (CG)** in place.



# 3 PIECES

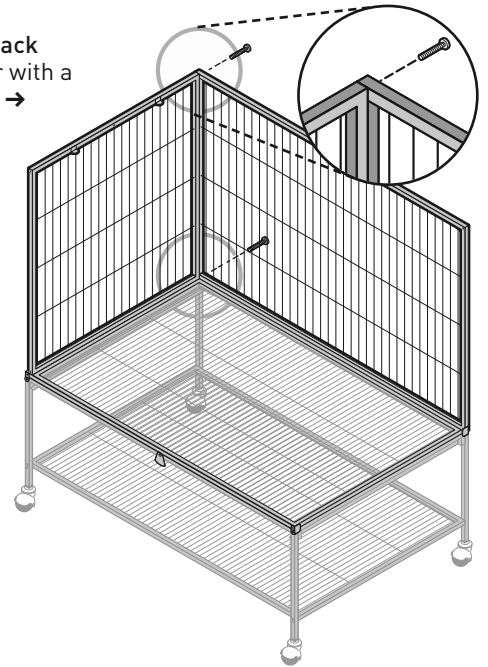
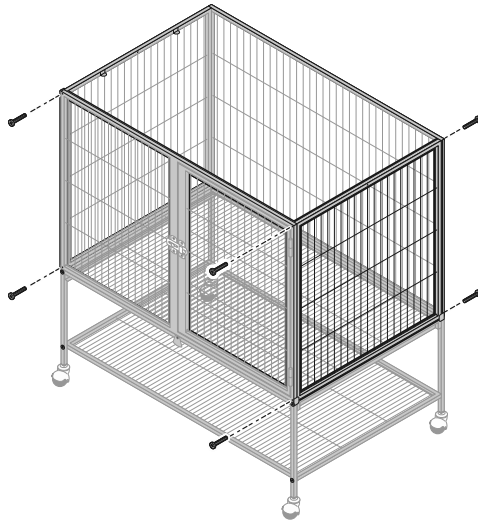
× 10



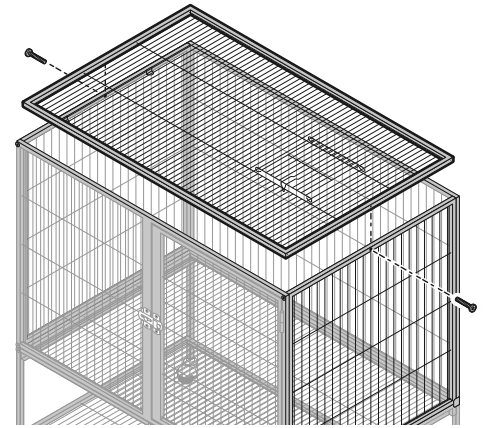
Stand the **side panel (L2)** and the **lower back panel (B2)** in position and attach together with a hex screw at the top and bottom corners. →

\* Hand-tighten the screws so they remain loose. This will ease the assembly of the roof.

Continue adding and attaching the **right side (R2)** and **front (F2)** panels with hex screws at the top and bottom corners.

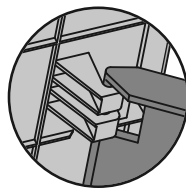
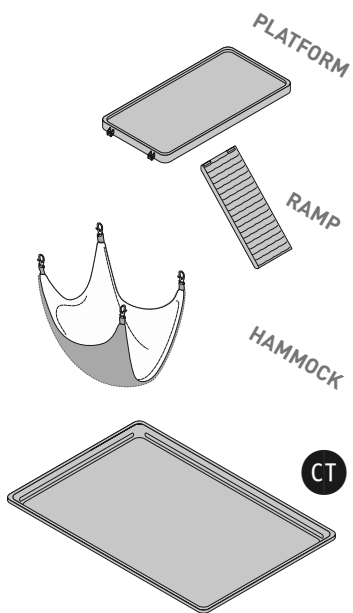


→ Place the **roof (CR)** in position and attach with a hex screw on each end.



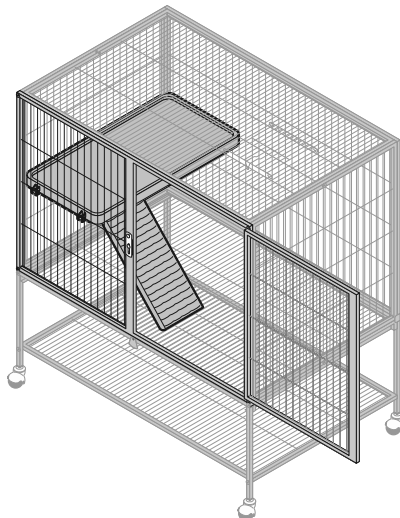
\* Tighten the screws over the entire cage with the hex key until all screws are snug.

# 4 PIECES



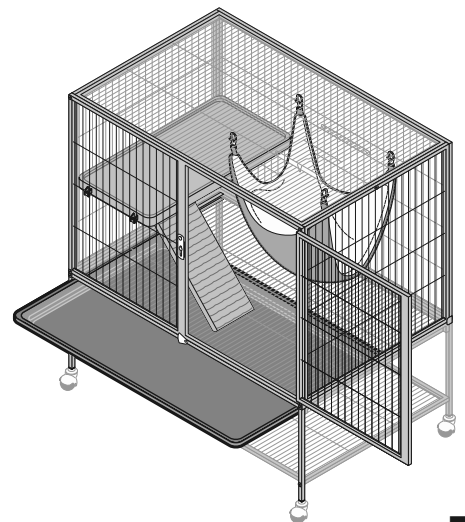
Hook a **ramp** to the underside of the **platform**.

← Place the platform in the cage, on the middle horizontal wire.



Add the **hammock**.

Rotate the windbell lock up and slide the **tray** into the channels.



Assembly completed. ■