



Ferret Stack | Two Story PARTS LIST

Instructions online at www.prevuepet.com

CUSTOMER SUPPORT

Please contact Prevue Pet Products:

PHONE 1 (312) 243-3624

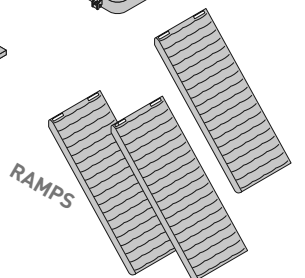
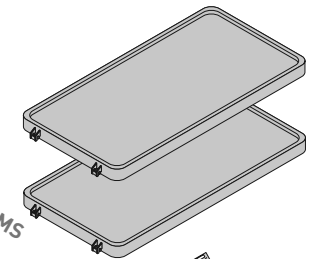
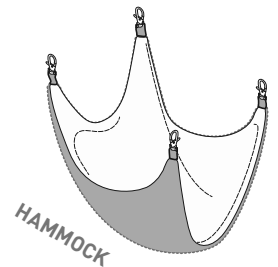
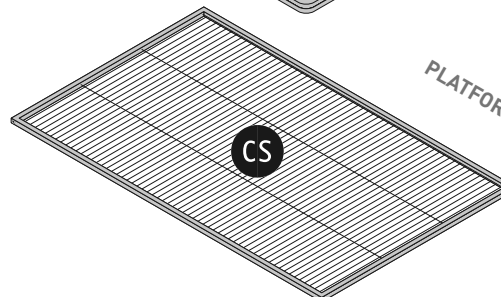
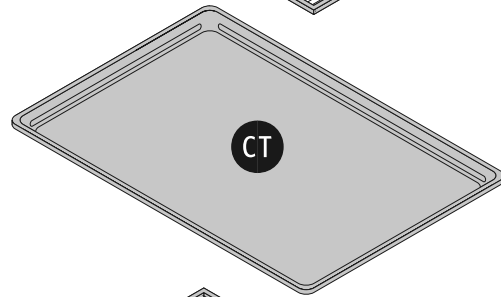
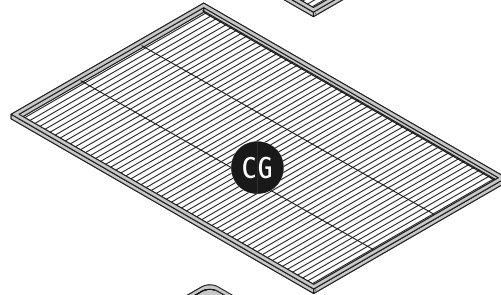
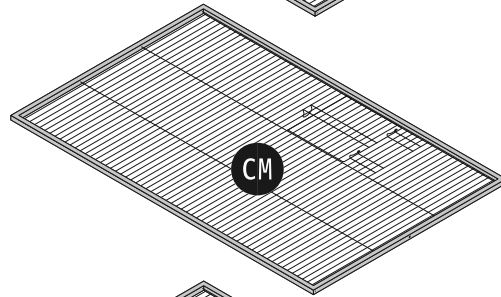
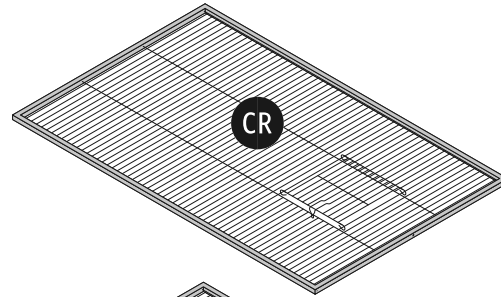
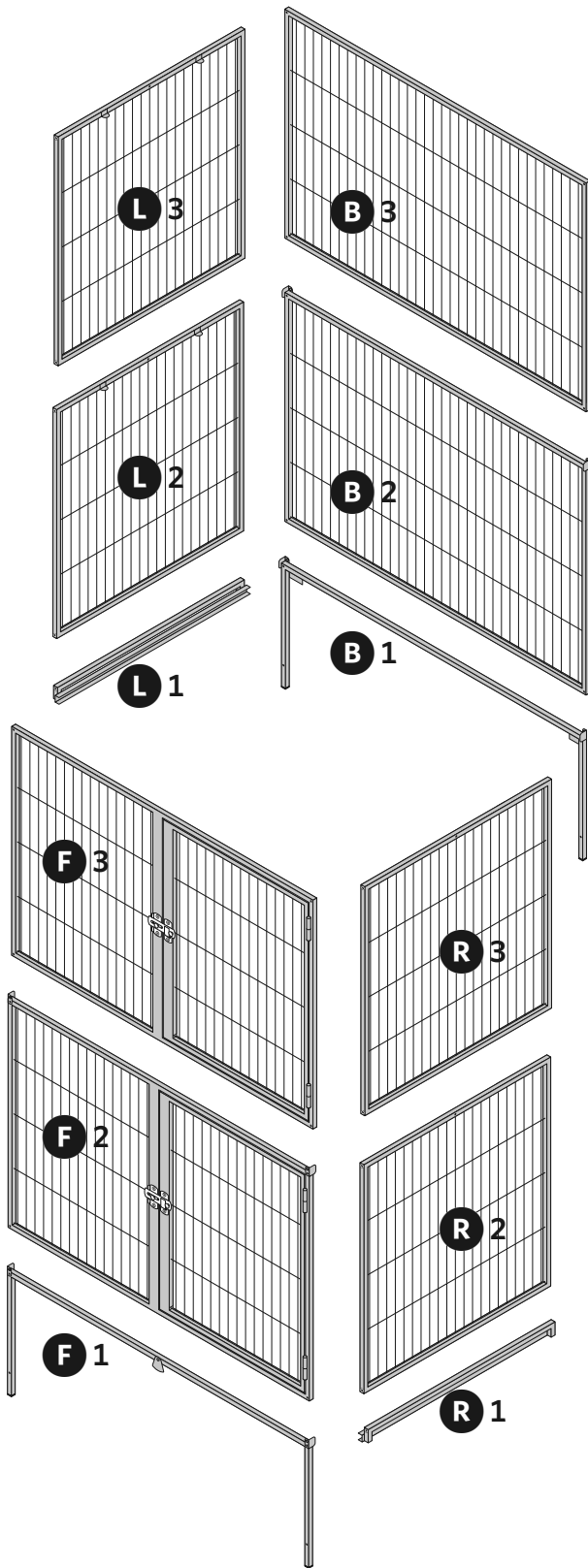
ONLINE www.prevuepet.com

EMAIL customerservice@prevuepet.com

KEY:

- L = Left Side
- B = Back
- F = Front
- R = Right Side
- CR = Center/Roof
- CM = Center/
MidLevel Floor
- CG = Center/
Floor Grille
- CT = Center/Tray
- CS = Center/Shelf

* These pieces are interchangeable:
L 1 = R 1
L 2, L 3, R 2,
R 3 are all the same



HARDWARE & TOOLS:



Hex
Screws
28 pcs



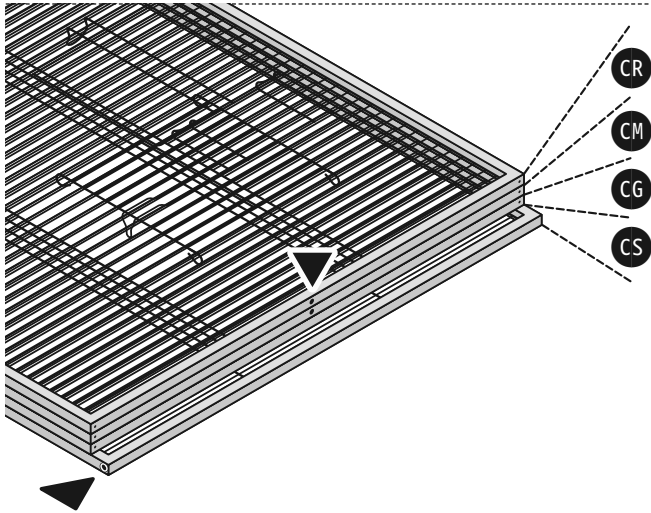
Hex Key



Casters
4 pcs

NO ADDITIONAL TOOLS REQUIRED • For best results, follow the Assembly Steps in the order presented.

HOW TO TELL THE DIFFERENCE : Several parts and panels may look similar. Here's how to tell the difference:



CENTER PANELS

The **roof panel (CR)** has an attached sliding door on top, and a screw hole on both ends of the frame.

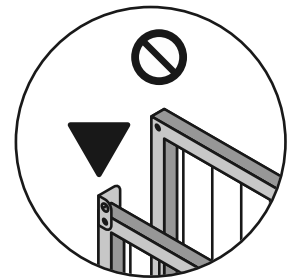
The **midlevel floor panel (CM)** has a detachable wire divider door, and a screw hole on both ends of the frame.

The **ground floor grille panel (CG)** has NO door and NO screw hole on the ends.

The **shelf (CS)** is longer, and has threaded screw holes on the front and back corners of the frame.

FRONT & BACK PANELS : TOP vs BOTTOM

The **bottom panels (F2 & B2)** have brackets on the corners. Top panels (F3 & B3) do not.



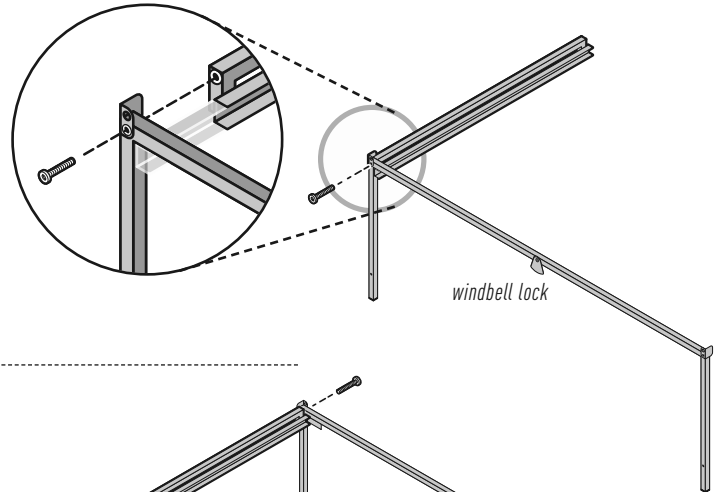
KEY:

| | |
|----------------|-------------------------------|
| L = Left Side | CR = Center / Roof |
| B = Back | CM = Center / Mid-Level Floor |
| F = Front | CG = Center / Floor Grille |
| R = Right Side | CT = Center / Tray |
| | CS = Center / Shelf |

Orient the **front legs (F1)** with the windbell lock facing forward.

The extended portion of the **tray channel rail (L1)** dovetails into the inside of the frame leg.

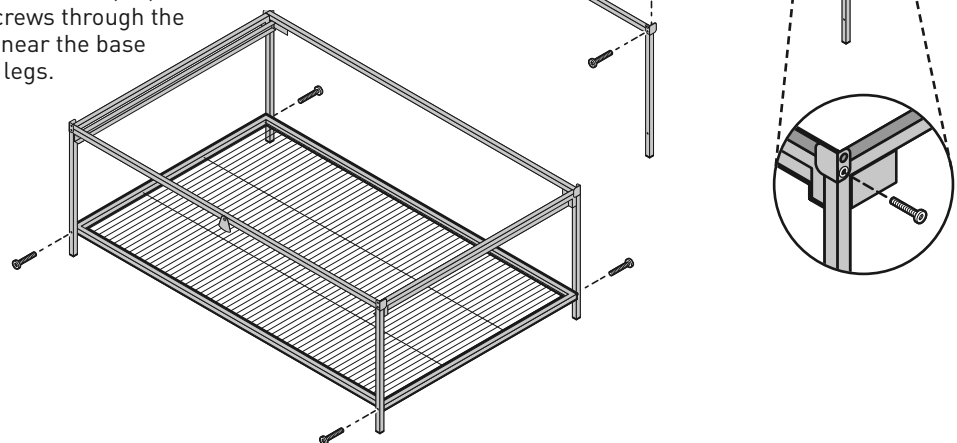
Attach frames together with a hex screw through the **bottom** hole.



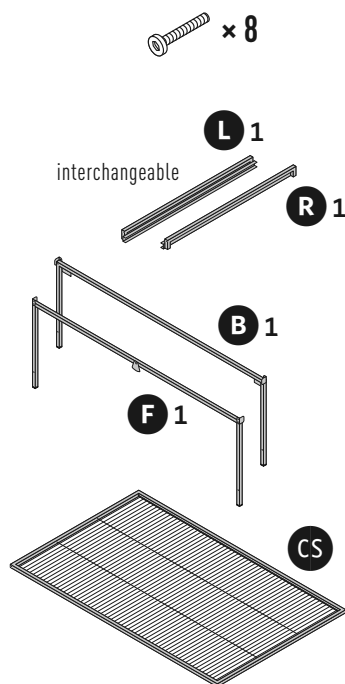
Orient the **back legs (B1)** with the tray channel backstop facing the back.

Attach legs to sides with hex screws in the **bottom** holes.

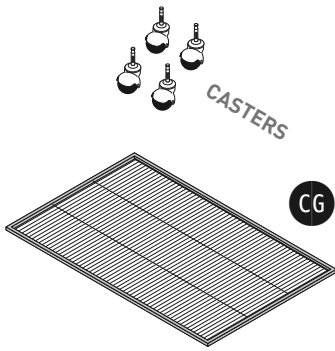
Attach the **shelf (CS)** with hex screws through the holes near the base of the legs.



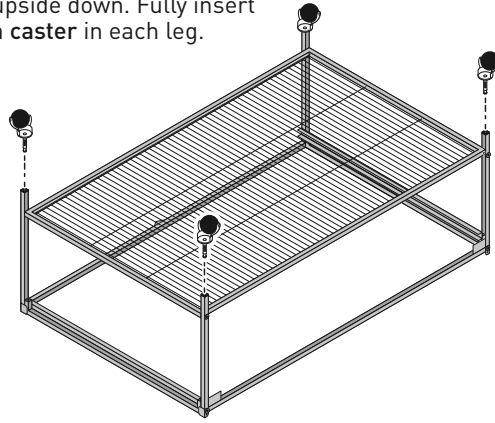
1 PIECES



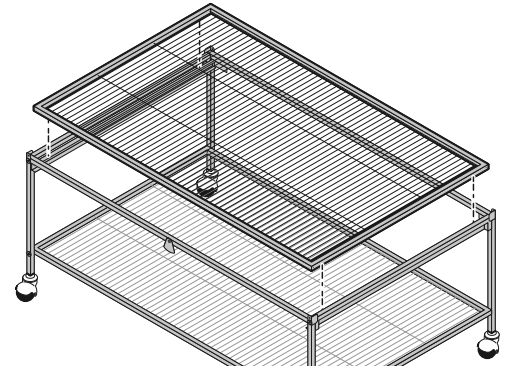
2 PIECES



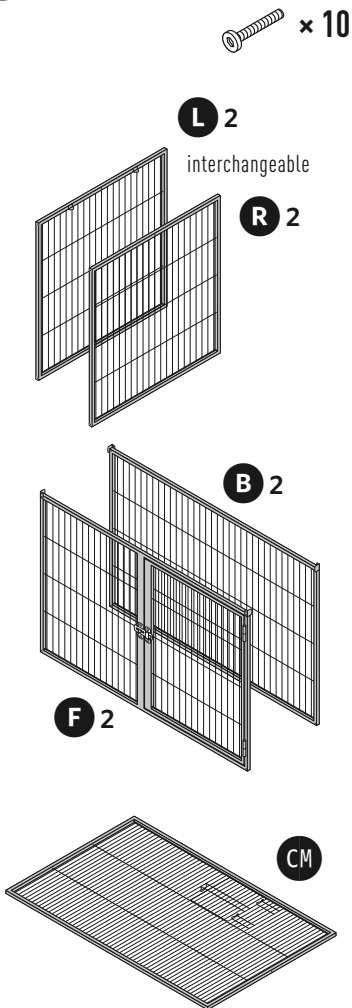
Turn the assembled unit upside down. Fully insert a caster in each leg.



Turn it right-side up and set the floor grille (CG) in place.



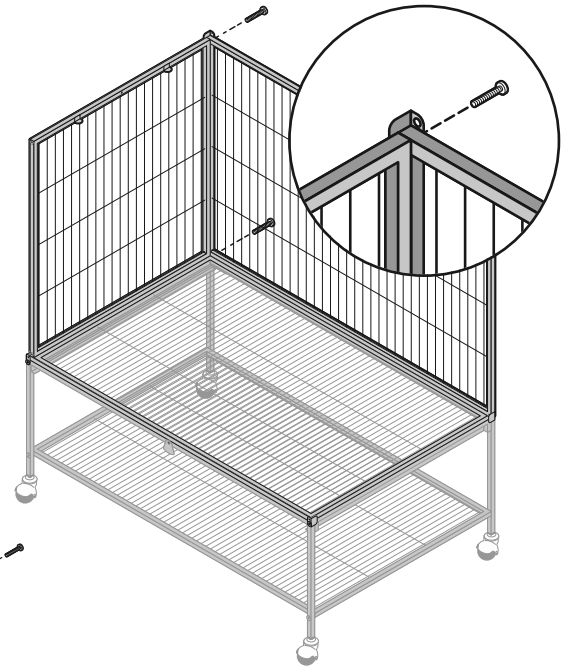
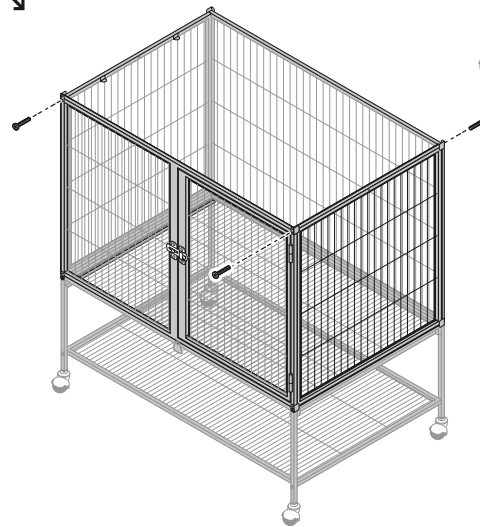
3 PIECES



Stand the **side panel (L2)** and the **lower back panel (B2)** (with corner brackets) in position and attach together with a hex screw at the top and bottom corners. →

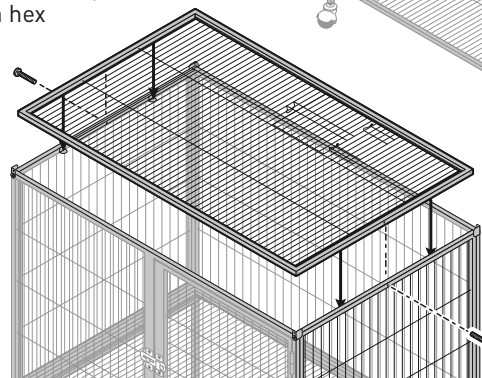
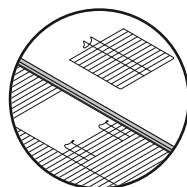
* Hand-tighten the screws so they remain loose. This will ease the assembly of the next level.

Continue adding and attaching the **right side (R2)** and **front (F2)** panels with hex screws at the top brackets. ↘

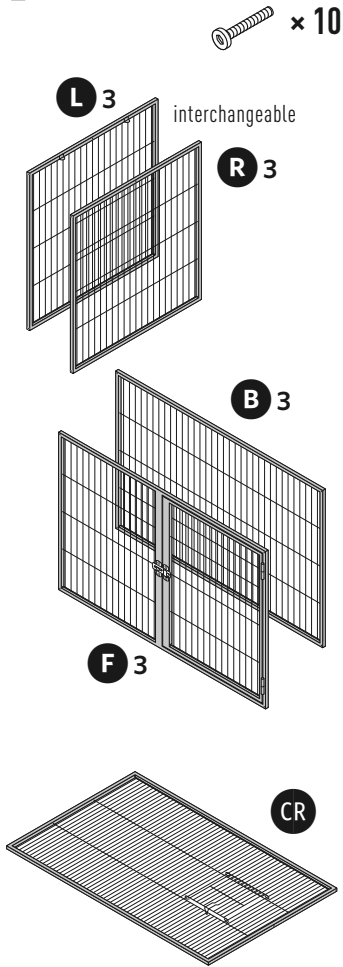


Finish by adding screws around the base, in the open holes of the bottom brackets. →

Place the **midlevel floor (CM)** (with the removable divider door) in place and secure it with a hex screw on each end. ↘

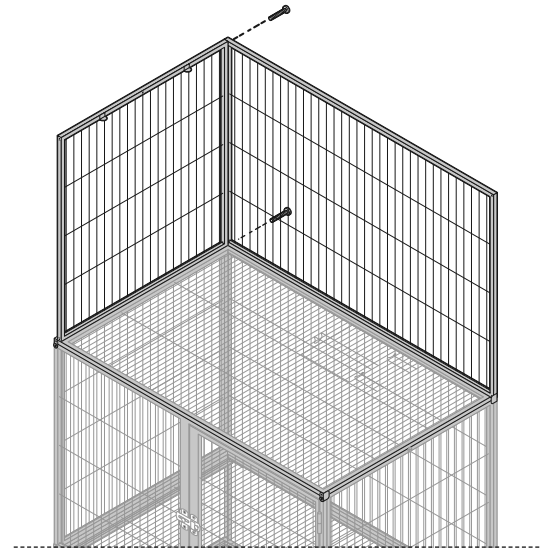
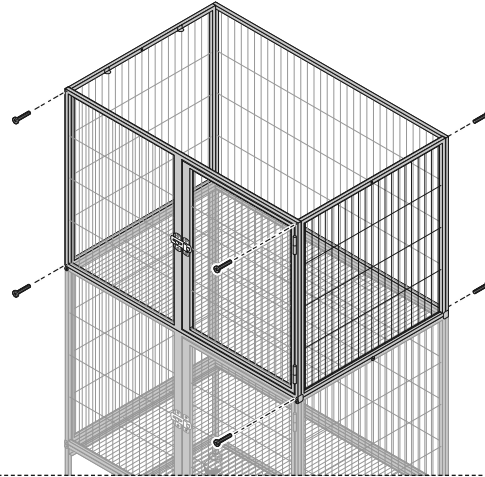


4 PIECES

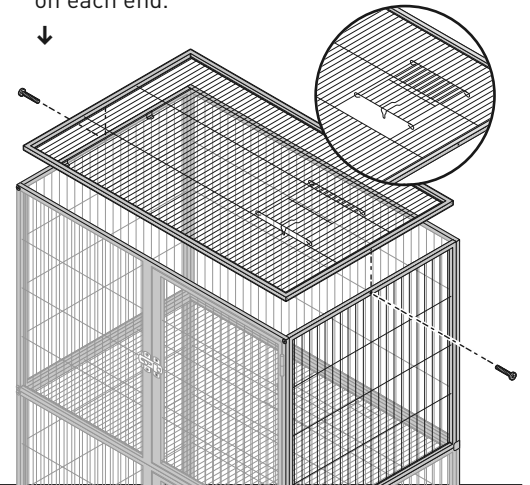


Follow the assembly method from Step 3:
Place the **left side (L3)** and **upper back (B2)** (no brackets) panels in place and attach together at the top with a hex screw. \rightarrow

Continue adding and attaching the **right side (R3)** and **front (F3)** panels with hex screws at the top and bottom corners.

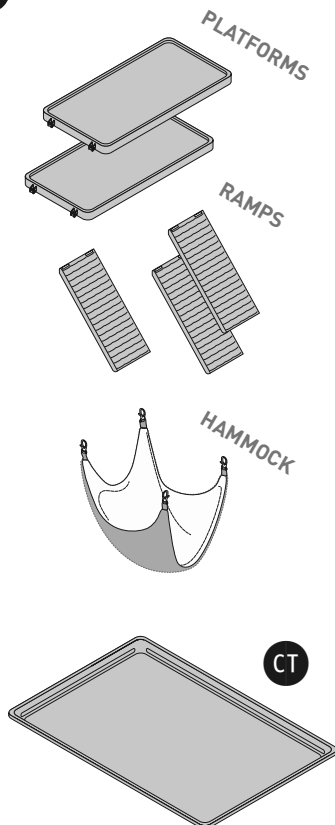


Place the **roof (CR)** (with the attached sliding door) in position and attach with a hex screw on each end.



* Tighten screws over the entire cage with the hex key, until all are snug.

5 PIECES



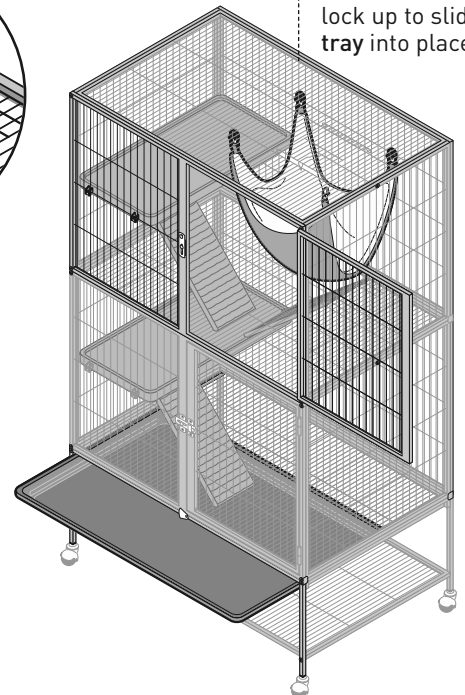
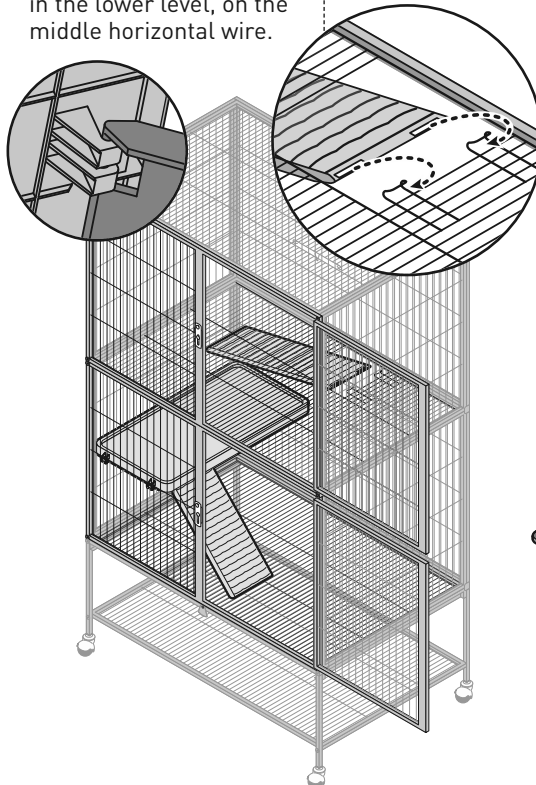
Hook a ramp onto the underside of a platform, and positioned at the cage front. Place the platform in the lower level, on the middle horizontal wire.

Remove the divider door. Hook a ramp on the wire loops, and rest the other end on the platform below. NOTE: The divider may be reattached with the ramp installed.

Add the remaining ramp and platform in the upper level.

Add the hammock.

Rotate the windbell lock up to slide the tray into place.



Assembly completed.