



Large Playstand for Parrots

PARTS LIST

Instructions online at www.prevuepet.com

CUSTOMER SUPPORT

For assistance or replacement parts, please contact Prevue Pet Products:

PHONE 1 (312) 243-3624


ONLINE www.prevuepet.com


EMAIL customerservice@prevuepet.com


KEY:


- L = Left
- R = Right
- S = Shelf
- TH = Toy Hanger
- SL = Straight Ladder
- AL = Arch Ladder
- TB = Top Bar
- BB = Bottom Bar
- UP = U-perch
- PB = Perch Bar
- SG = Seed Guard
- P = Perch
- G = Grille
- T = Tray

HARDWARE & COMPONENTS:

 Long Hex Screw
14 pcs +1

 Short Hex Screw
14 pcs +1

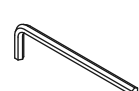
 Hex Screw + Nut
8 sets

 Casters
4 pcs

 Cup + Holder
2 sets

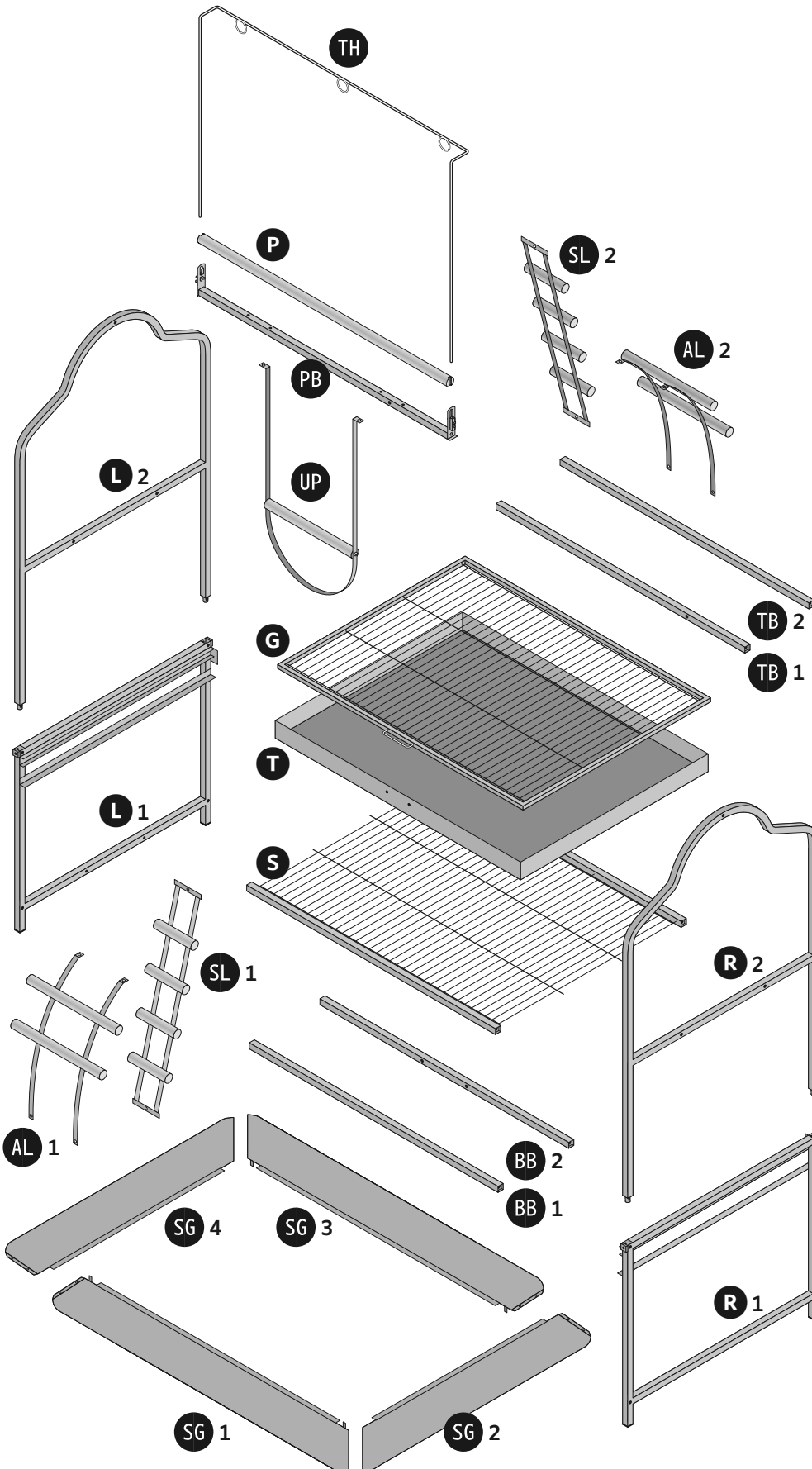
 Tray Handle

TOOLS:

 Allen wrench
(included)

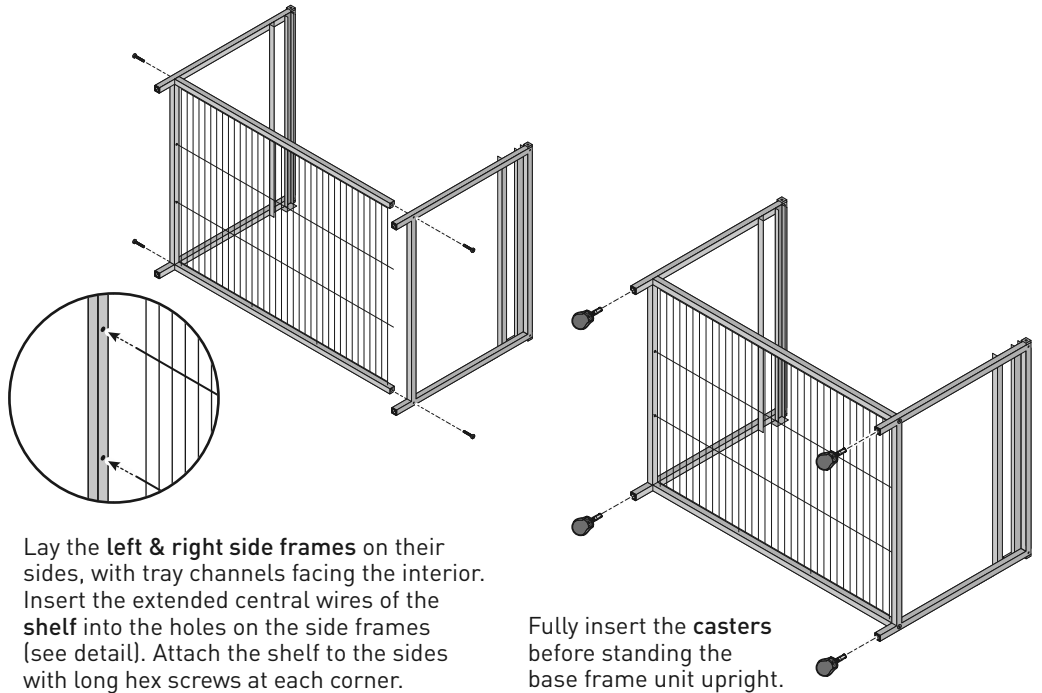
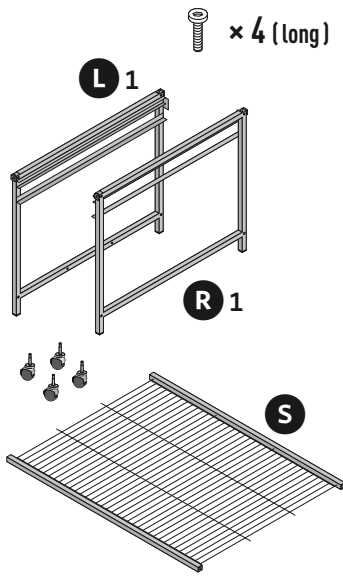
Small screwdriver (flathead or phillips) (not included)

OPTIONAL:
Small adjustable crescent wrench (not included)



TOOLS (not included) : • Small screwdriver (phillips or flathead) • OPTIONAL : Small adjustable crescent wrench
• For best results, follow Assembly Steps in order presented. •

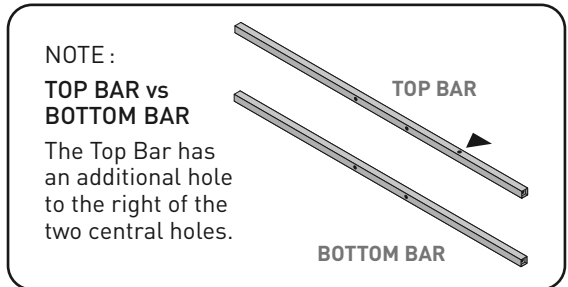
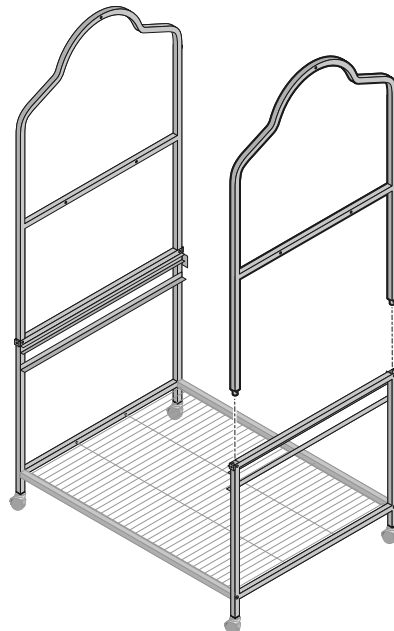
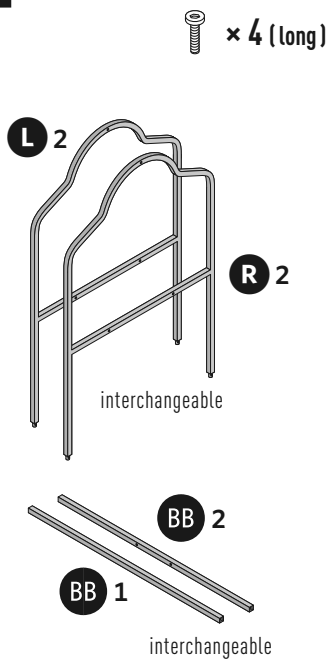
1 PIECES



Lay the **left & right side frames** on their sides, with tray channels facing the interior. Insert the extended central wires of the **shelf** into the holes on the side frames (see detail). Attach the shelf to the sides with long hex screws at each corner.

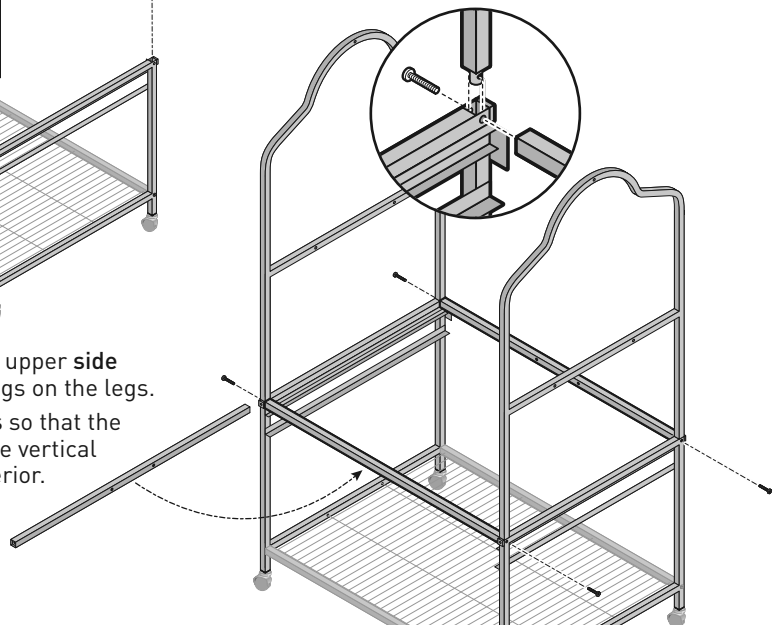
Fully insert the **casters** before standing the base frame unit upright.

2 PIECES





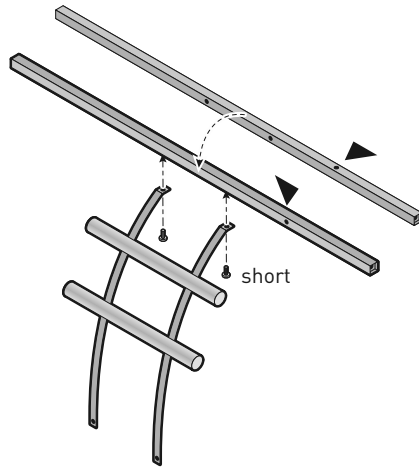
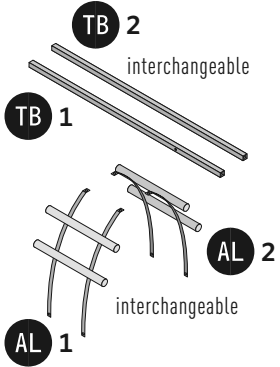
NOTE:
TOP BAR vs BOTTOM BAR
The Top Bar has an additional hole to the right of the two central holes.

Insert the posts on the upper **side frames** into the openings on the legs. Orient the **bottom bars** so that the central holes are on the vertical surface, facing the interior. Attach with long hex screws through all three frame parts (see detail).



3 PIECES

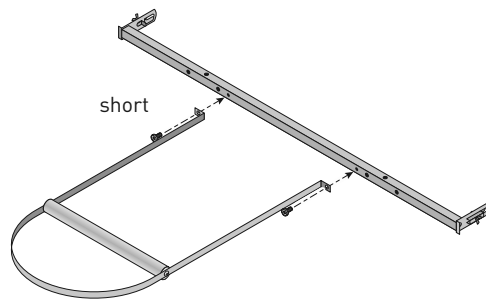
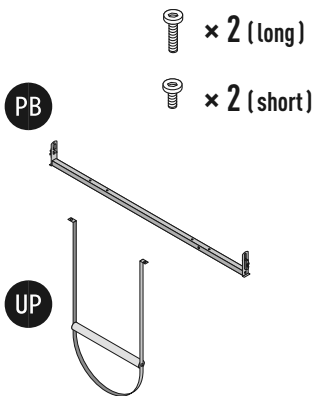
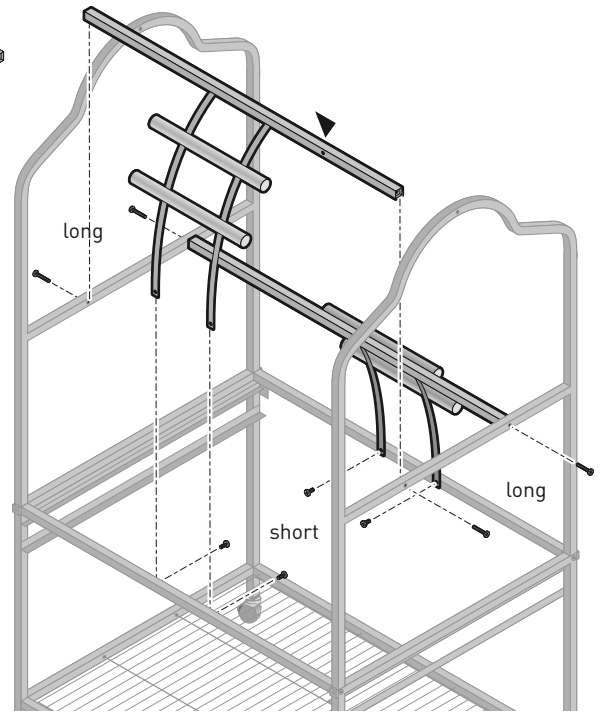
-  × 4 (long)
-  × 8 (short)



With the extra hole on the **top bars** to your right, attach the **arch ladders** at the central hole points with **short** hex screws.

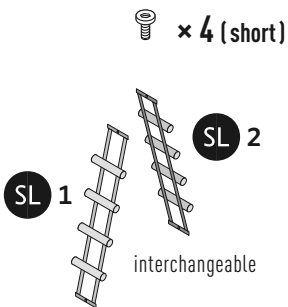
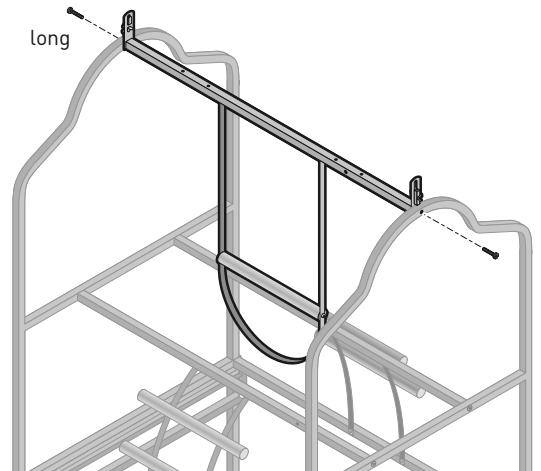
With the extra hole still to your right and facing the exterior, **loosely** attach the assembled units to the playstand frame with **long** hex screws at the top, and **short** hex screw at the bottom.

Finish by tightening up all screw points for a stable, secure playstand.

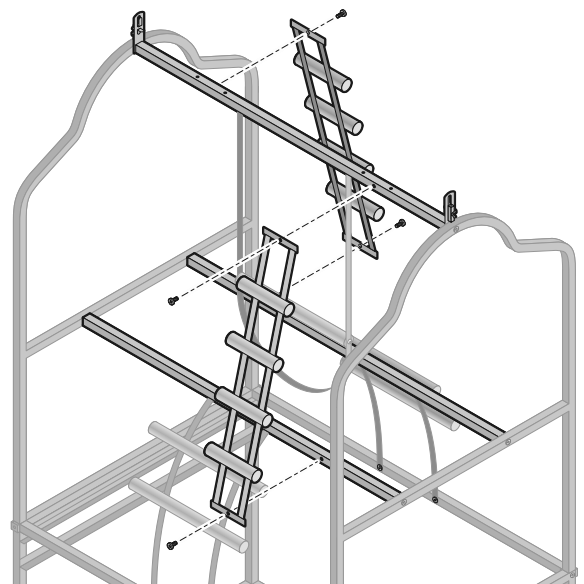


Attach the **U-perch** to the **perch bar** with **short** hex screws.

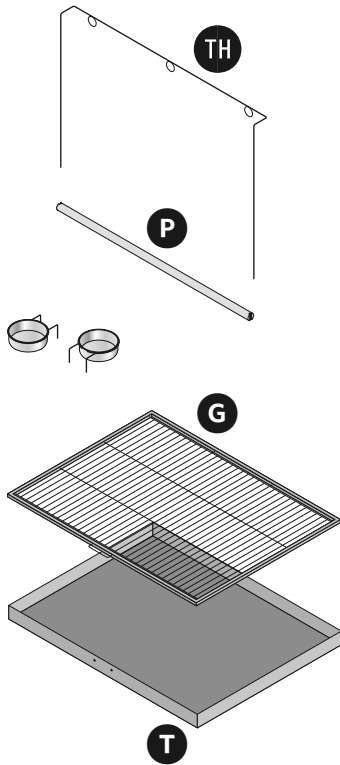
Attach the assembled unit to the frame with **long** hex screws.



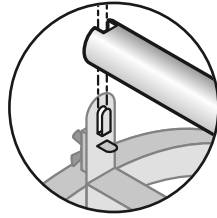
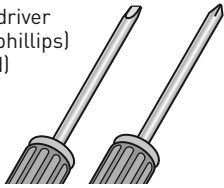
Attach the **tall ladders** to the **central perch bar** and **top bars** with **short** hex screws.



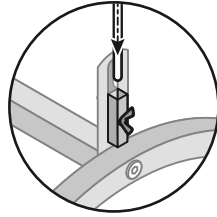
4 PIECES



Small screwdriver (flathead or phillips) (not included)



① Insert the slotted perch onto the perch bar.

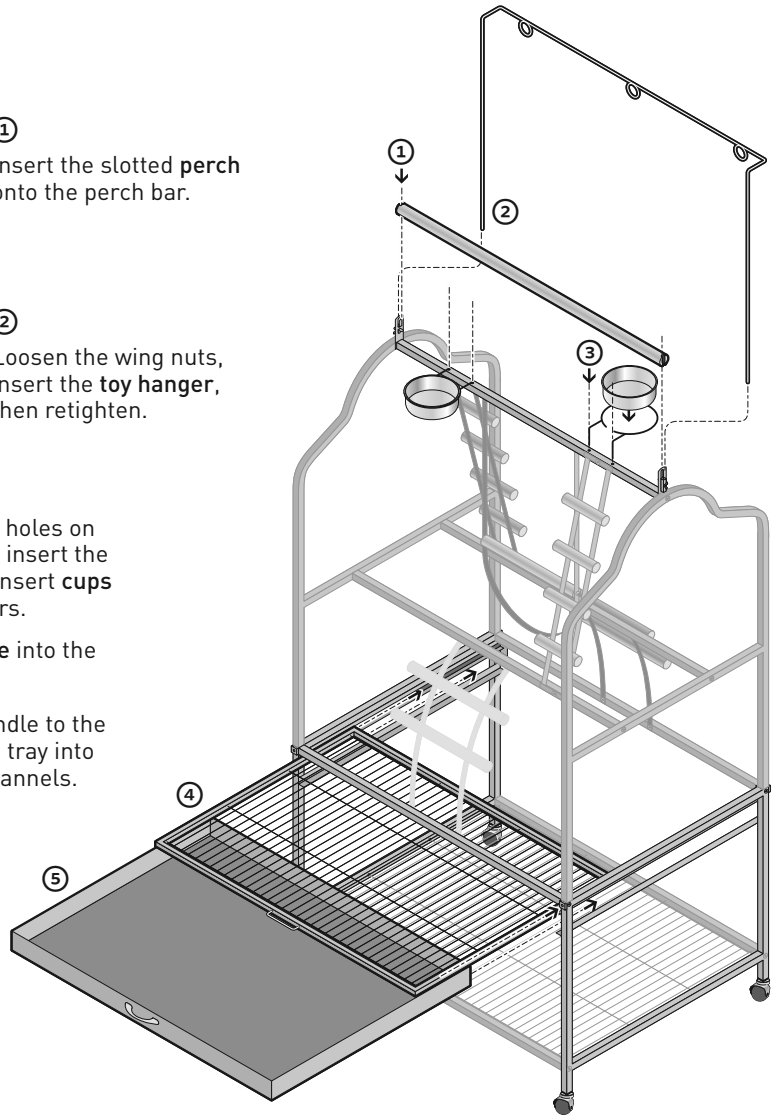
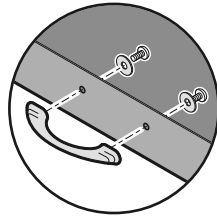


② Loosen the wing nuts, insert the toy hanger, then retighten.

③ In the pairs of holes on the perch bar, insert the cup holders. Insert cups into the holders.

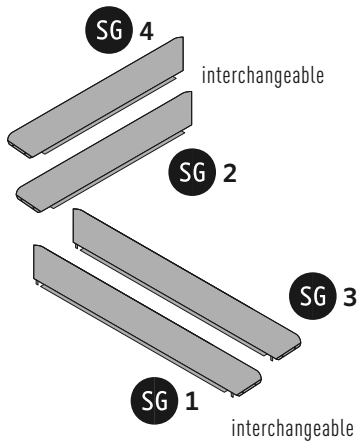
④ Slide the grille into the top channels.

⑤ Attach the handle to the tray. Slide the tray into the bottom channels.

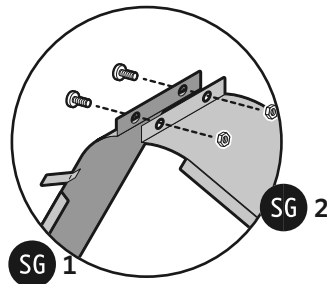


5 PIECES

× 8 pair



OPTIONAL: Small crescent wrench (not included)

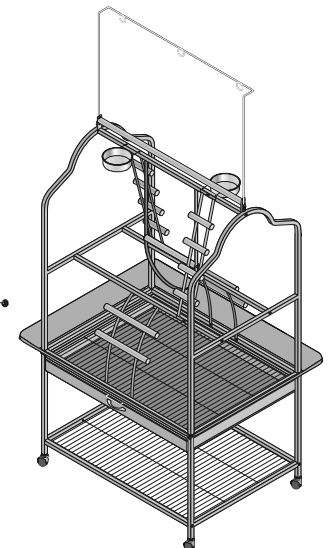
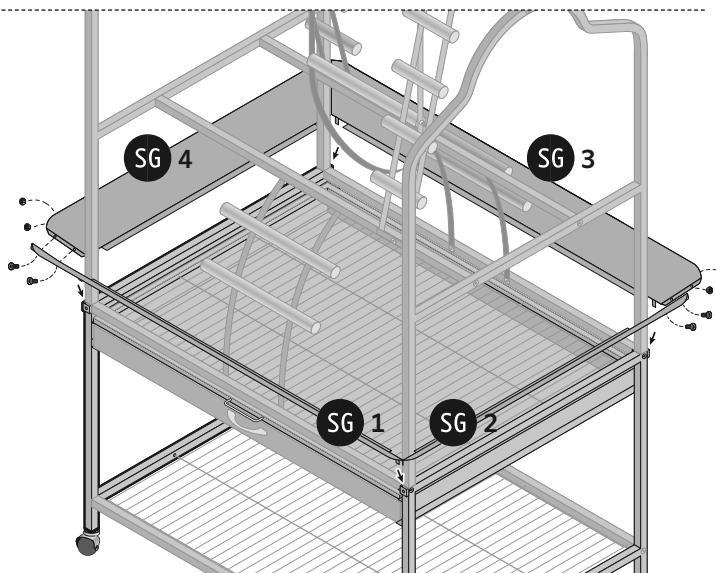


NOTE:

Front & back seed guards are longer, and have short tabs at the corners, extending off the bottom edge.

Pre-assemble the front-to-right side seed guard pair first, then set the seed guard unit in place by inserting the tabs along the front bottom edge into the sleeves on the frame front.

Add the remaining guards, connecting them together at the corners with the remaining short hex screw/nut pairs.



Assembly completed.