



Small Playstand for Parrots PARTS LIST

Instructions online at www.prevuepet.com

CUSTOMER SUPPORT

For assistance or replacement parts, please contact Prevue Pet Products:

PHONE 1 (312) 243-3624





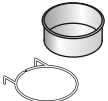
ONLINE www.prevuepet.com

EMAIL customerservice@prevuepet.com

KEY:

- L = Left
- R = Right
- F = Front
- B = Back
- C = Center
- TH = Toy Hanger
- SL = Straight Ladder
- AL = Arch Ladder
- G = Grille
- T = Tray
- P = Perch
- S = Swing

HARDWARE & COMPONENTS :

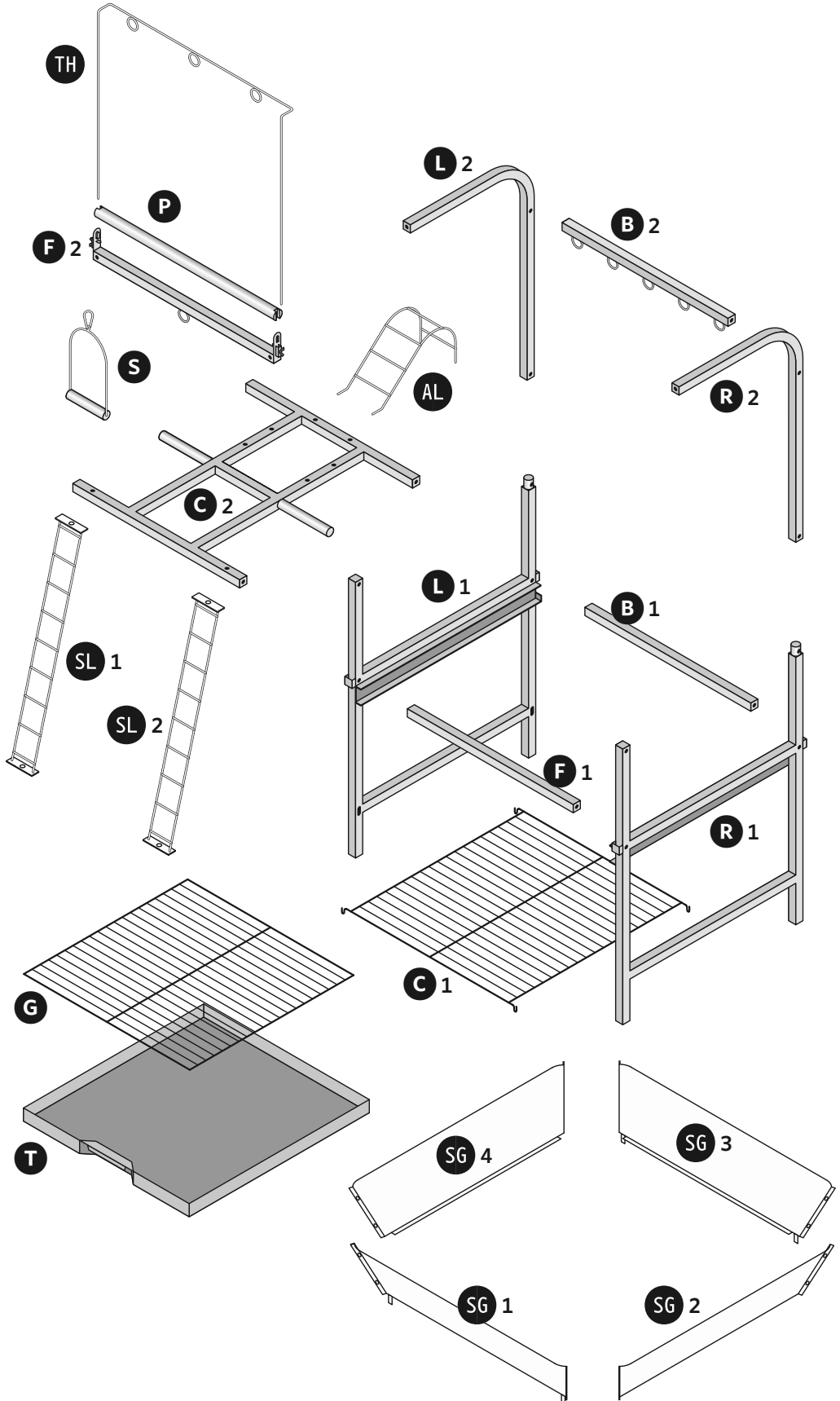
-  **Long Hex Screw**
12 pcs
-  **Short Hex Screw**
4 pcs
-  **Hex Screw + Nut**
8 sets
-  **Casters**
4 pcs
-  **Cup + Holder**
2 sets

TOOLS :

Allen wrench (included)

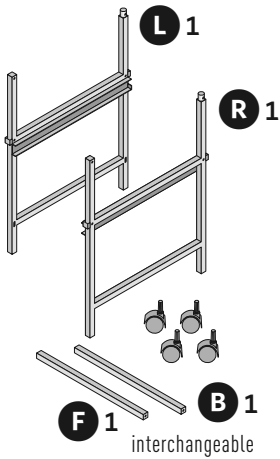


OPTIONAL :
Small adjustable
crescent wrench
(not included)

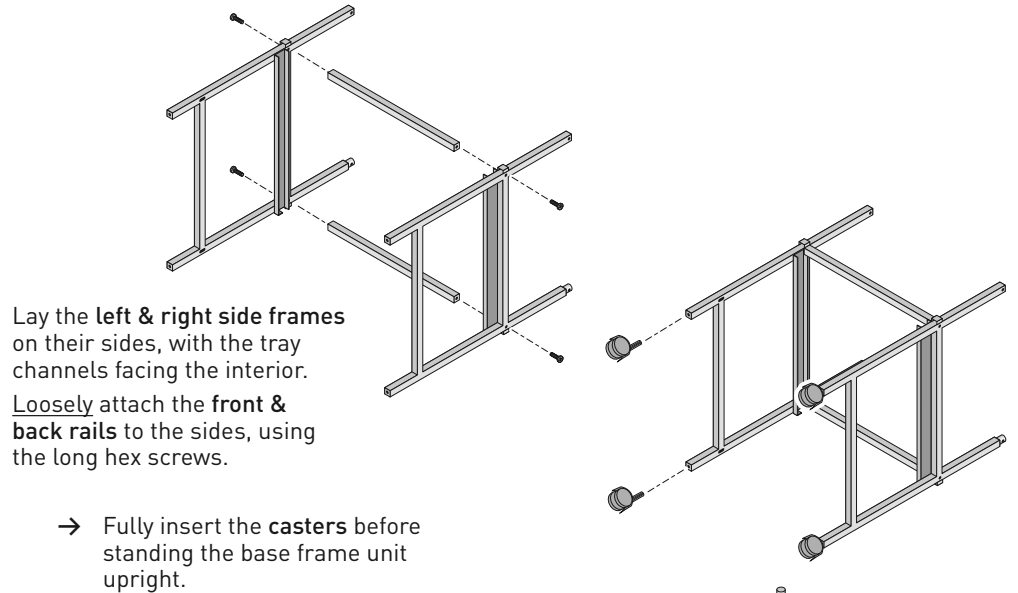
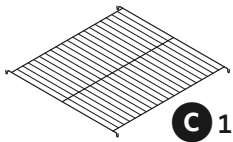


TOOLS: Small adjustable crescent wrench (optional) • For best results, follow Assembly Steps in order presented.

1 PIECES



× 4 (long)

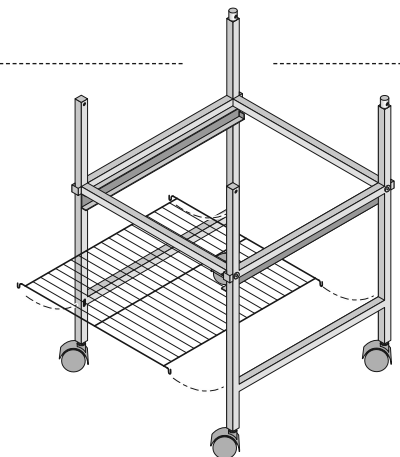
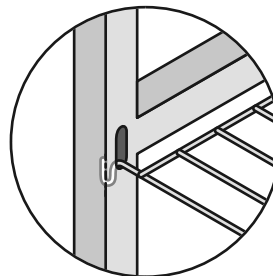


Lay the **left & right side frames** on their sides, with the tray channels facing the interior. Loosely attach the **front & back rails** to the sides, using the long hex screws.

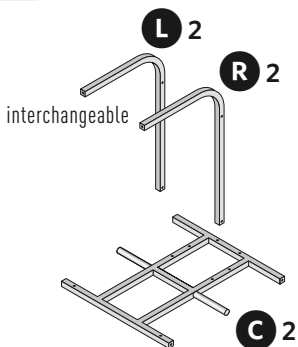
→ Fully insert the casters before standing the base frame unit upright.

Insert the U-shaped ends of the **shelf grille** into the openings on the legs.

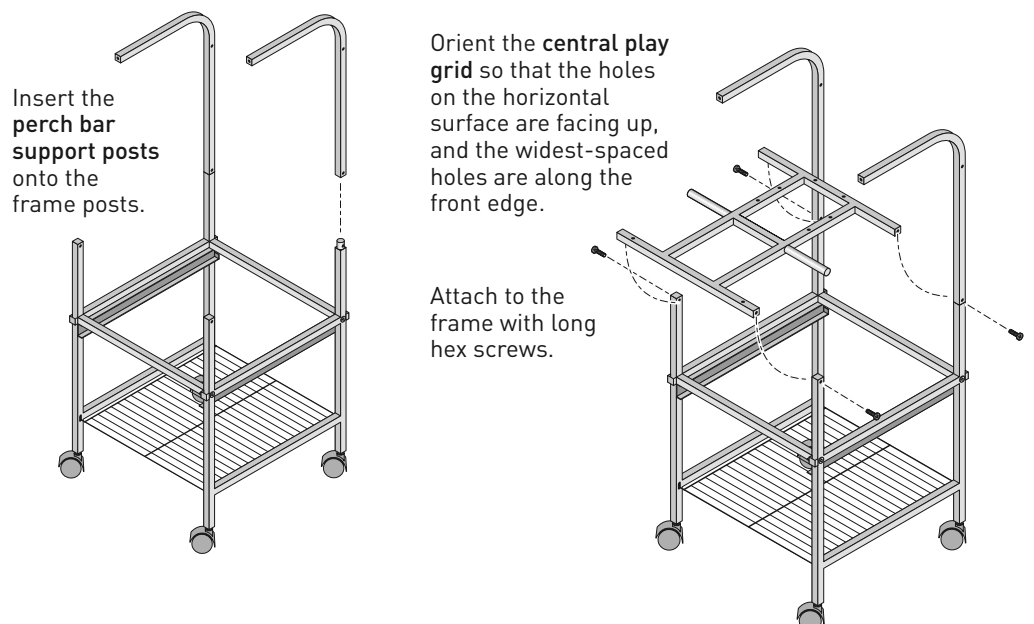
Once the shelf is in place, fully tighten all four hex screws from the previous assembly step to create a stable base unit.



2 PIECES



× 4 (long)

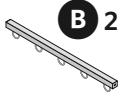


Insert the **perch bar support posts** onto the frame posts.

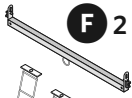
Orient the **central play grid** so that the holes on the horizontal surface are facing up, and the widest-spaced holes are along the front edge.

Attach to the frame with long hex screws.

3 PIECES



× 2 (long)

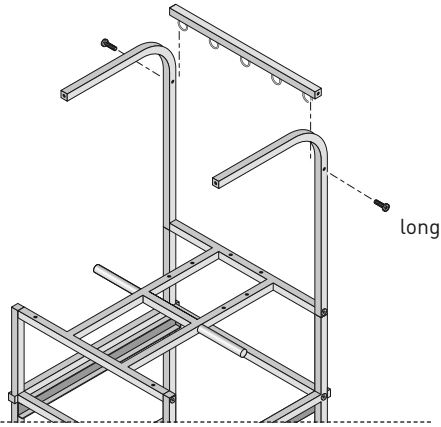


interchangeable

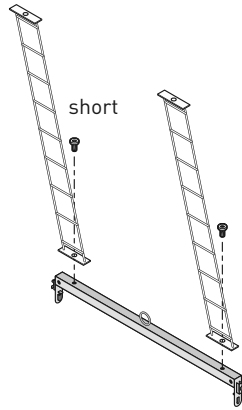
× 4 (short)

× 2 (long)

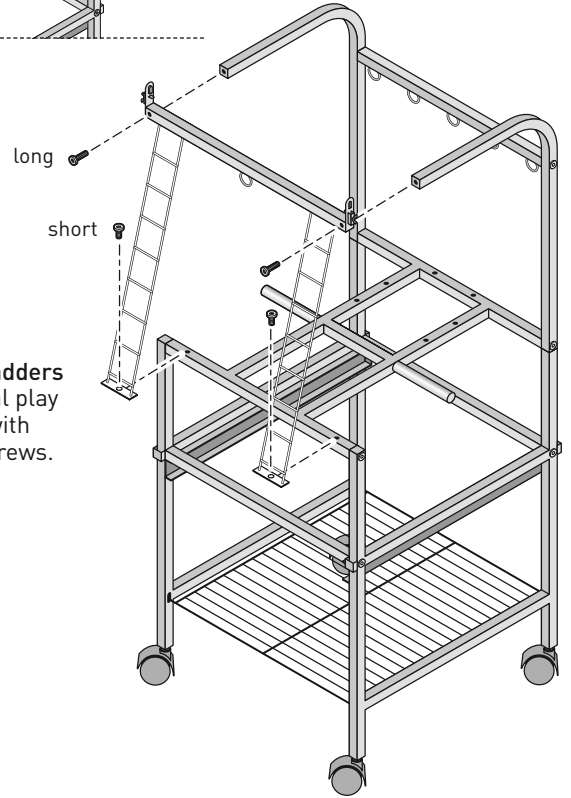
Attach the 5-ring toy bar to the support posts with long hex screws.



Pre-assemble the ladders to the underside of the perch bar with short hex screws.

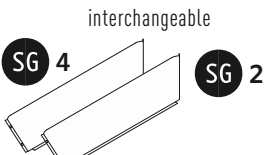


Attach the perch bar to the support posts with long hex screws.



Attach the ladders to the central play grid frame with short hex screws.

4 PIECES

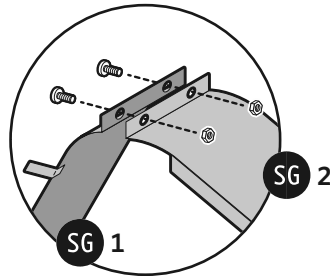


× 8 pair

NOTE:

Front & back seed guards have short tabs extending off the bottom edge.

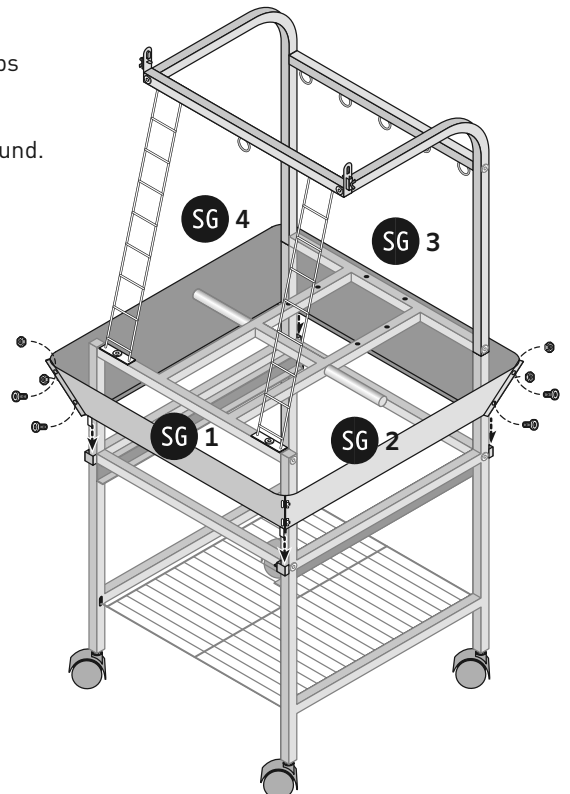
Pre-assemble front-to-side seed guard pairs first, before placing on the playground.



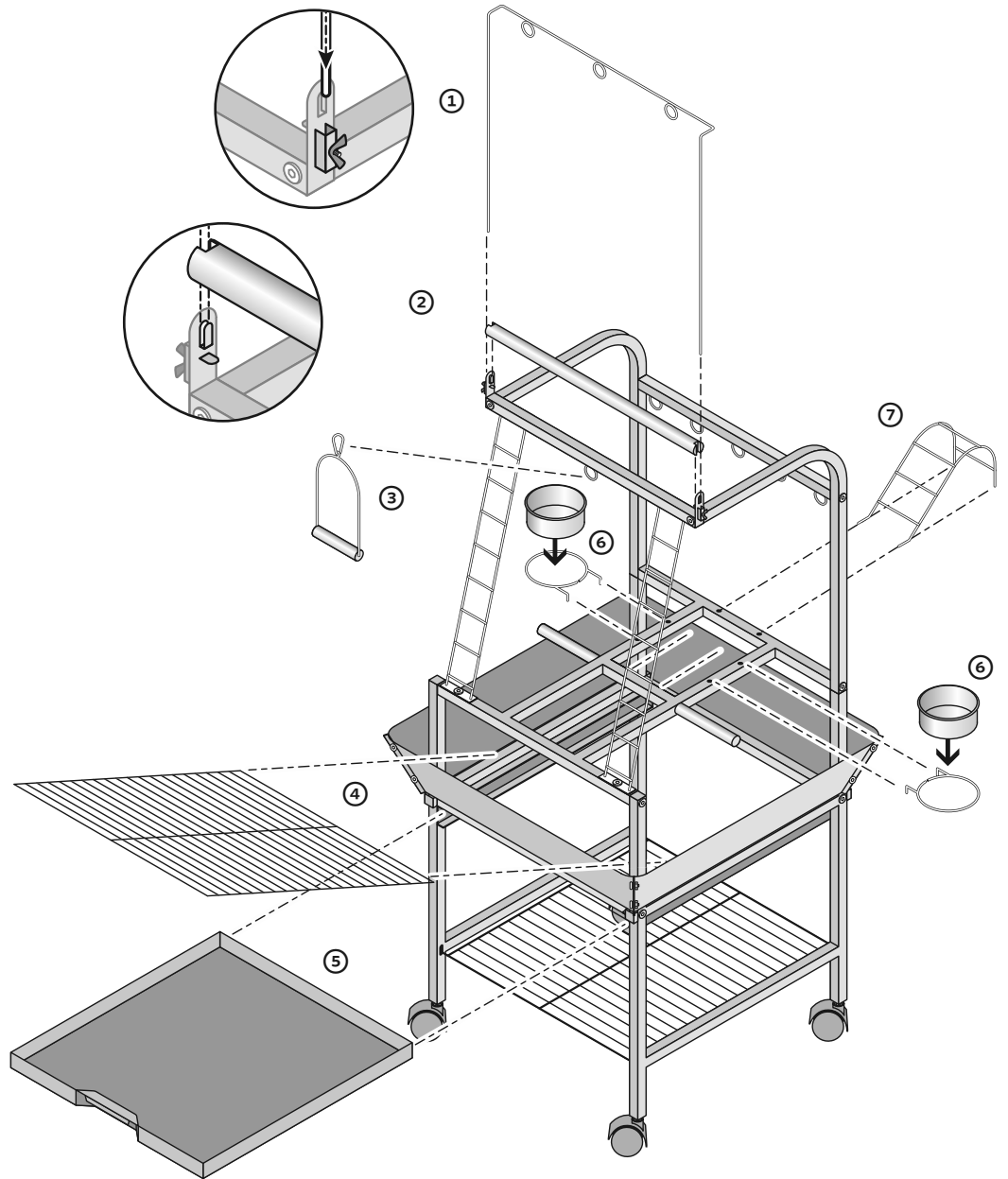
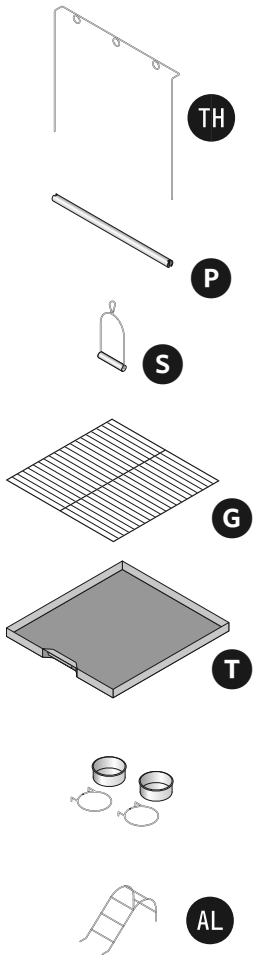
Set the seed guard units in place by inserting the tabs along the front (or back) into the sleeves on the frame front (or back).

Finish connecting the seed guards at the open corner seams with the remaining short hex screw/nut pairs.

OPTIONAL:
Small crescent wrench
(not included)

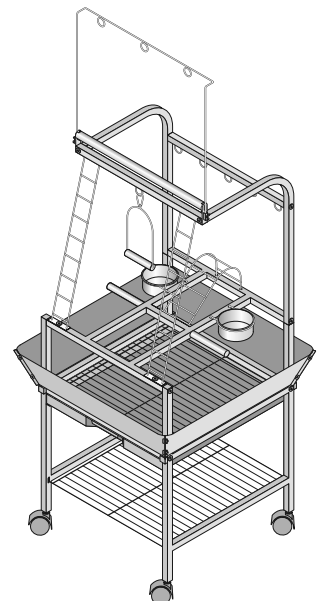


5 PIECES



Assemble the remaining components:

- ① Loosen the wing nut on the outsides of the perch bar. Insert the **toy hanger** into the sleeves. Tighten the wing nuts to secure the hanger in place (see detail).
- ② Insert the slotted **perch** onto the perch bar (see detail).
- ③ Hook the **swing** onto the ring on the perch bar.
- ④ Insert the **grille** over the seed guards and set it down into the base.
- ⑤ Insert the **tray** into the channels, under the seed guards.
- ⑥ In the pairs of holes on the back half of the central play grid, insert the **cup holders & cups**.
- ⑦ Insert the **arch ladder** :
 - The **front** of the ladder inserts into two holes (hidden from view), on the backside/vertical surface of the center frame rail.
 - The **back** of the ladder inserts into two holes on the middle/top surface of the back frame rail.



Assembly completed. ■