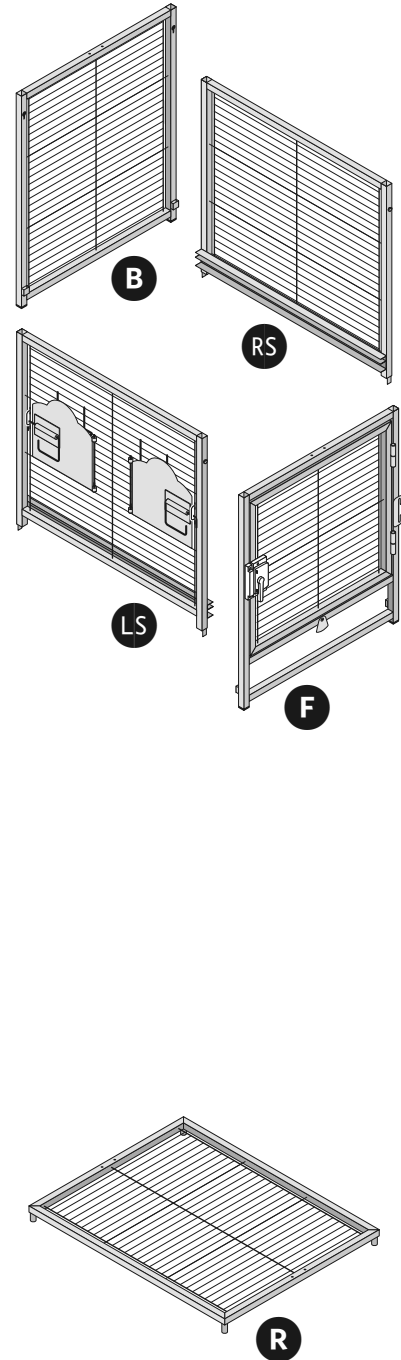


KEY:

- | | |
|-----------------|------------|
| B = Back | R = Roof |
| RS = Right Side | H = Handle |
| F = Front | G = Grille |
| LS = Left Side | T = Tray |

1 PIECES

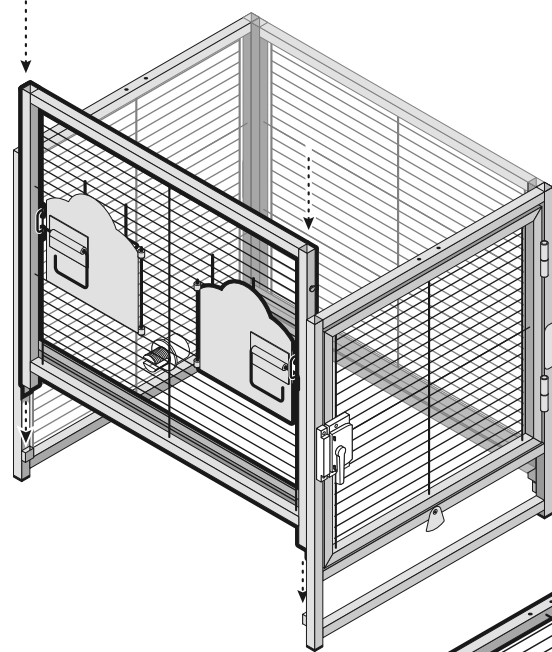
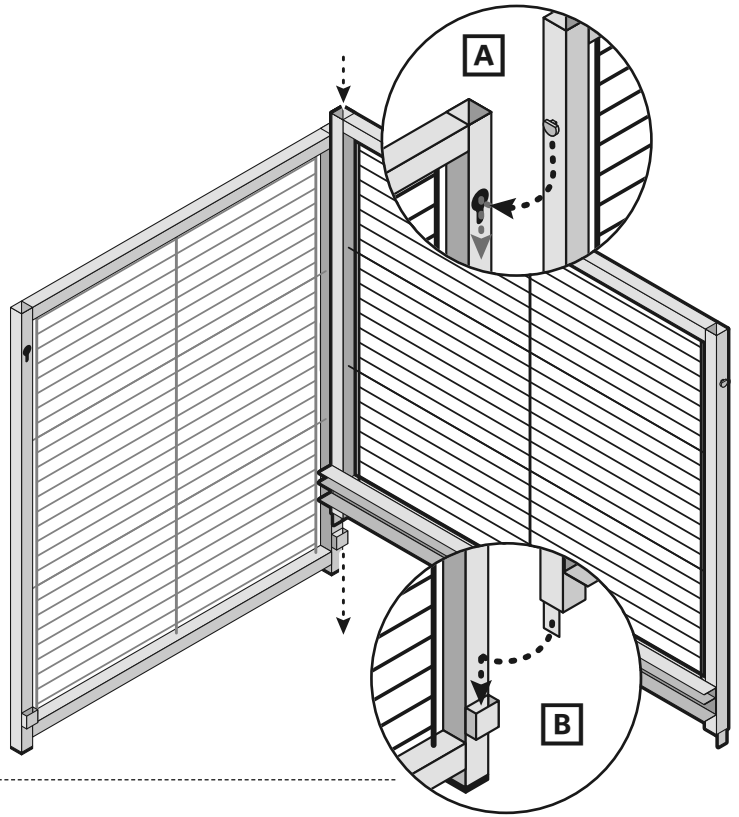


On the vertical surface
of the **right side** panel:

A
Insert the knob into the
hole on the **back** panel.

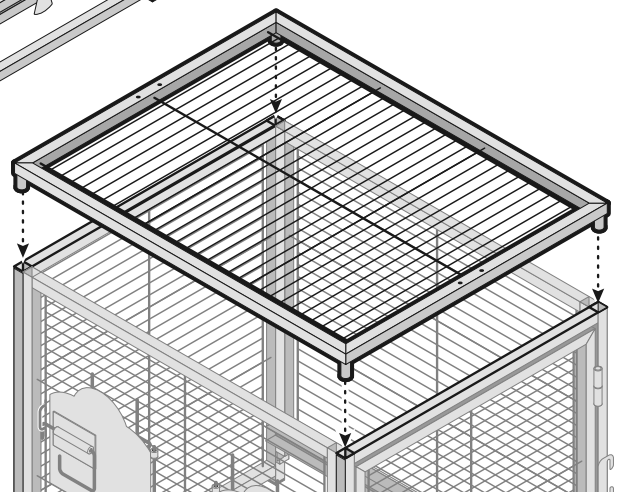
B
Align the extended tab
at the bottom of the
frame above the sleeve
on the **back** panel.

Slide the panel down
to lock the knob into the
hole slot and trapping
the bottom tab in the
sleeve.

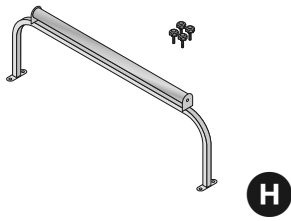


Continue around to the
front and **left side** panels,
assembling in the same
manner.

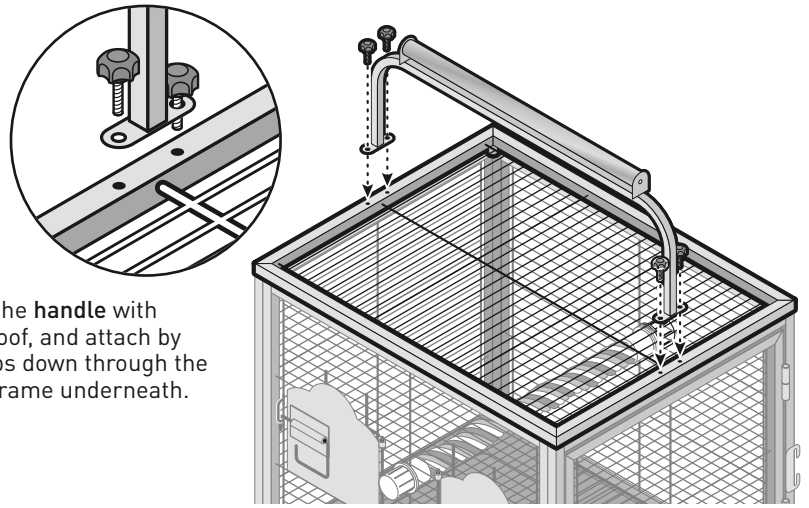
Insert the posts of the
roof into the holes of the
frame corners.



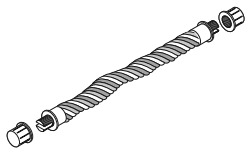
1 continued



Align the base of the **handle** with the holes on the roof, and attach by screwing the knobs down through the roof and into the frame underneath.



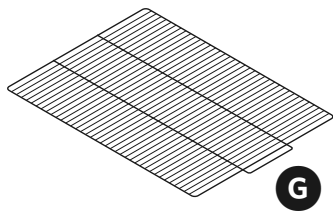
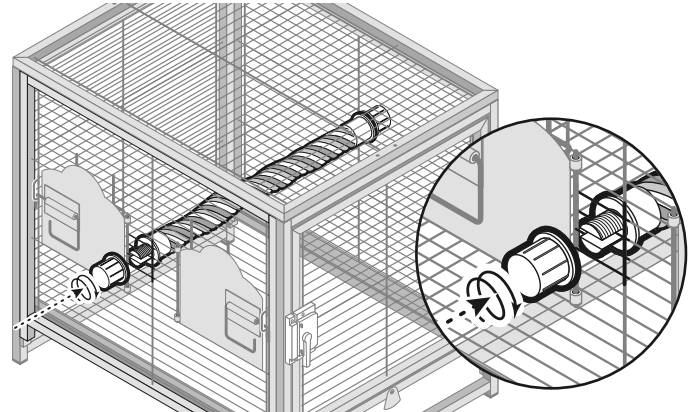
2 PIECES



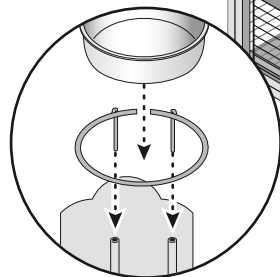
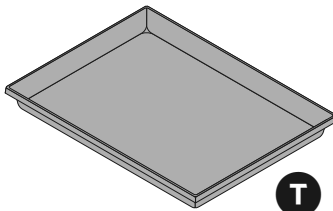
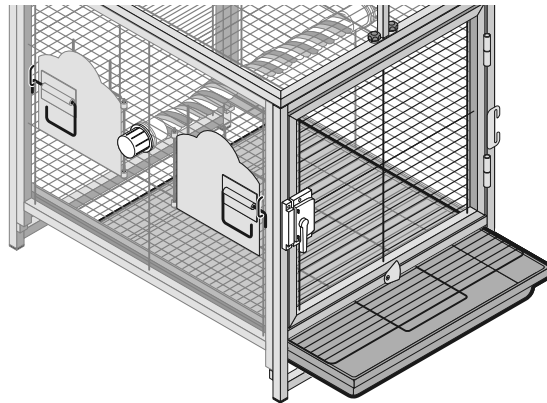
Unscrew the endcaps from the **rope perch**.

Install the perch on the inside of the cage, from side to side.

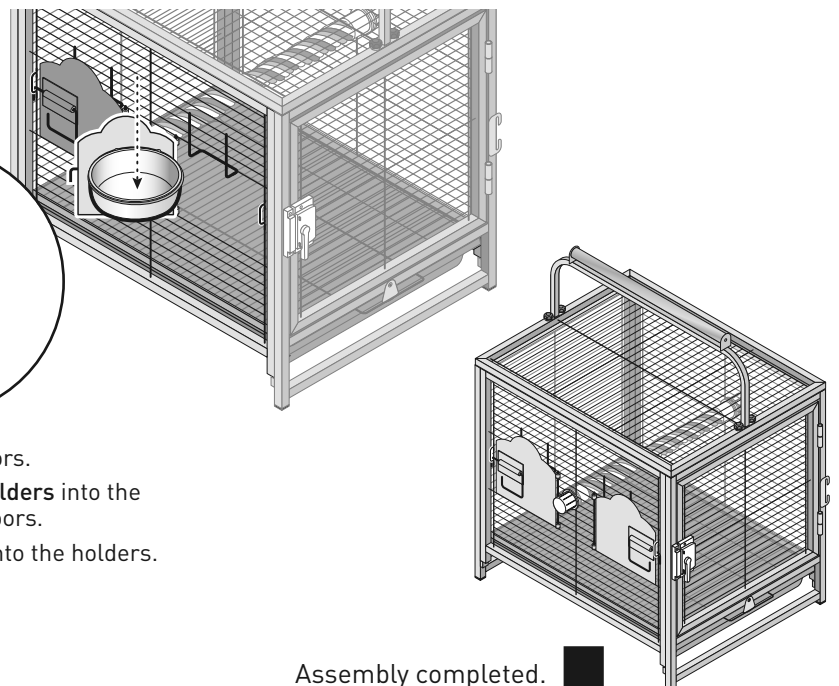
From the outside, replace the endcaps back onto the ends, to hold the perch in place.



Rotate the windbell lock up and slide the **grille** into the top channel and the **tray** into the bottom channel.



Open the cup doors.
Insert the **cup holders** into the sleeves on the doors.
Insert the **cups** into the holders.



Assembly completed. ■