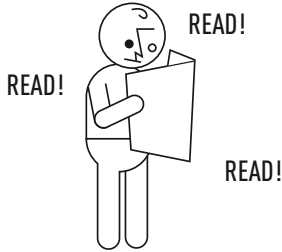


# Follow this flight path

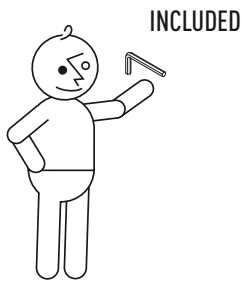
**1**



## READ THESE INSTRUCTIONS!

Follow these steps for a successful assembly. If you still have questions, we're here to help. Please contact our Prevue Customer Service team via email at : [customerservice@prevuepet.com](mailto:customerservice@prevuepet.com)

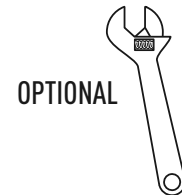
**2**



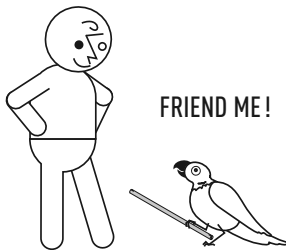
## HELPFUL TOOLS

A hex key is included with the hardware.

You may find a small **adjustable wrench** useful when assembling the seed guards.



**3**

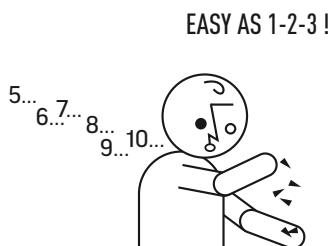


## FIND A FRIEND

If you follow these steps, cage assembly will be easy for one person. But you may find a second person's assistance useful in some steps. Look for this symbol:



**4**



## REVIEW ALL PARTS & HARDWARE

After unpacking all components, review all parts and count the contents of the screw packets and compare the quantities against the Hardware Included list on the other side.

Please contact Prevue if any problems or issues arise.

# 5



## CARE FOR BIRDS

### CAGE PLACEMENT

Birds are sensitive to environmental conditions like heat, cold, drafts, and fumes. As you establish the location of your cage, make sure it is removed from areas with strong odors and fumes, like those found around air fresheners, kitchens, and gas appliances. Keep cages out of cold and drafty areas, and away from heat sources like furnaces, fireplaces, or kitchen appliances. Avoid areas with harsh or direct sunlight.

### ACTIVITY TOYS

Birds rely on toys to reduce boredom and destructive behavior and to keep physically and mentally stimulated. Prevue offers a complete range of toys grouped under two lines and four categories.

**Playfuls™** incorporate a wide range of bird-safe shapes, colors, textures, materials and sizes. **Naturals™** consist of all-natural, sterilized, sustainable fibers, ropes, hardwoods, shells, and other natural materials.

Each line contains four categories of toys to satisfy the instinctual behaviors and activities of every bird size:

- **Physical & Mental:** Designed to provide exercise for the body and the mind, with elements to engage birds in problem-solving, manipulation, chewing, and balancing.
- **Sound & Movement:** Designed for aural and visual stimulation, with elements that are free-moving, noise-creating, reflective and bouncy.
- **Preen & Pacify:** Designed to function as stress-reducers, with a variety of materials and textures that engage birds in calming, comforting activity.
- **Forage & Engage:** Designed to satisfy a bird's instinctive need to search, root, uncover, extract, collect and nest. Many of these toys may be filled with treats or be replenished with fibers.

### TOY TIPS

- To keep birds engaged with their toys, regularly introduce new and familiar toys into the cage environment on a monthly basis.
- Do not over-crowd the cage environment.
- For new toys, supervise birds at play and observe their behavior.
- For existing toys, periodically inspect them for replenishment of fibers, or for replacement when worn or destroyed.

Check out all our toys at [www.prevuepet.com](http://www.prevuepet.com)

### ACCESSORIES

We offer many accessories to promote your bird's well-being and upgrade the cage environment:

- Variable-shape perches for foot health
- Cage covers to quiet and calm birds at night
- Cuttlebones & mineral blocks for beak & nail grooming

Additional accessories, specifically for the #3152 Playtop model, include:

- #1045 Natural Branch Perch
- #12503 Good Night™ Cage Cover
- #1243/#1244 replacement stainless steel coop cups or #6404 Ceramic Cups/4-cup set

More accessories can be discovered at [www.prevuepet.com](http://www.prevuepet.com)

Perches and selected replacement parts are available for a nominal charge. Please contact Prevue customer service at: [customerservice@prevuepet.com](mailto:customerservice@prevuepet.com)

### TRAVEL CARRIERS

Always keep an appropriate-size travel carrier on hand for emergencies, travel or temporary housing when cleaning cages. Prevue offers several carrier styles — from backpack to soft case to durable steel. Visit [www.prevuepet.com](http://www.prevuepet.com)

### CONTACT RESOURCES FOR PREVUE PET PRODUCTS

<b>EMAIL</b>	<a href="mailto:customerservice@prevuepet.com">customerservice@prevuepet.com</a>
<b>ONLINE</b>	<a href="http://www.prevuepet.com">www.prevuepet.com</a>
<b>PHONE</b>	+1 (312) 243-3624
<b>FAX</b>	+1 (312) 243-4224
<b>SOCIAL</b>	Facebook/ Instagram/ Pinterest/ YouTube



For more wonderful cages, toys, and accessories for birds, cats, chickens, rabbits, ferrets, dogs and small animals, visit [www.prevuepet.com](http://www.prevuepet.com)



**3152** ALL COLORS  
**98100**

# Playtop Cage PARTS LIST

Instructions online at [www.prevuepet.com](http://www.prevuepet.com)

## CUSTOMER SUPPORT

Please contact Prevue Pet Products:

**PHONE** 1 (312) 243-3624

**ONLINE** [www.prevuepet.com](http://www.prevuepet.com)

**EMAIL** [customerservice@prevuepet.com](mailto:customerservice@prevuepet.com)

### KEY:

PT = Playtop components

L = Left Side Panels

B = Back Panel

R = Right Side Panels

F = Front Panel

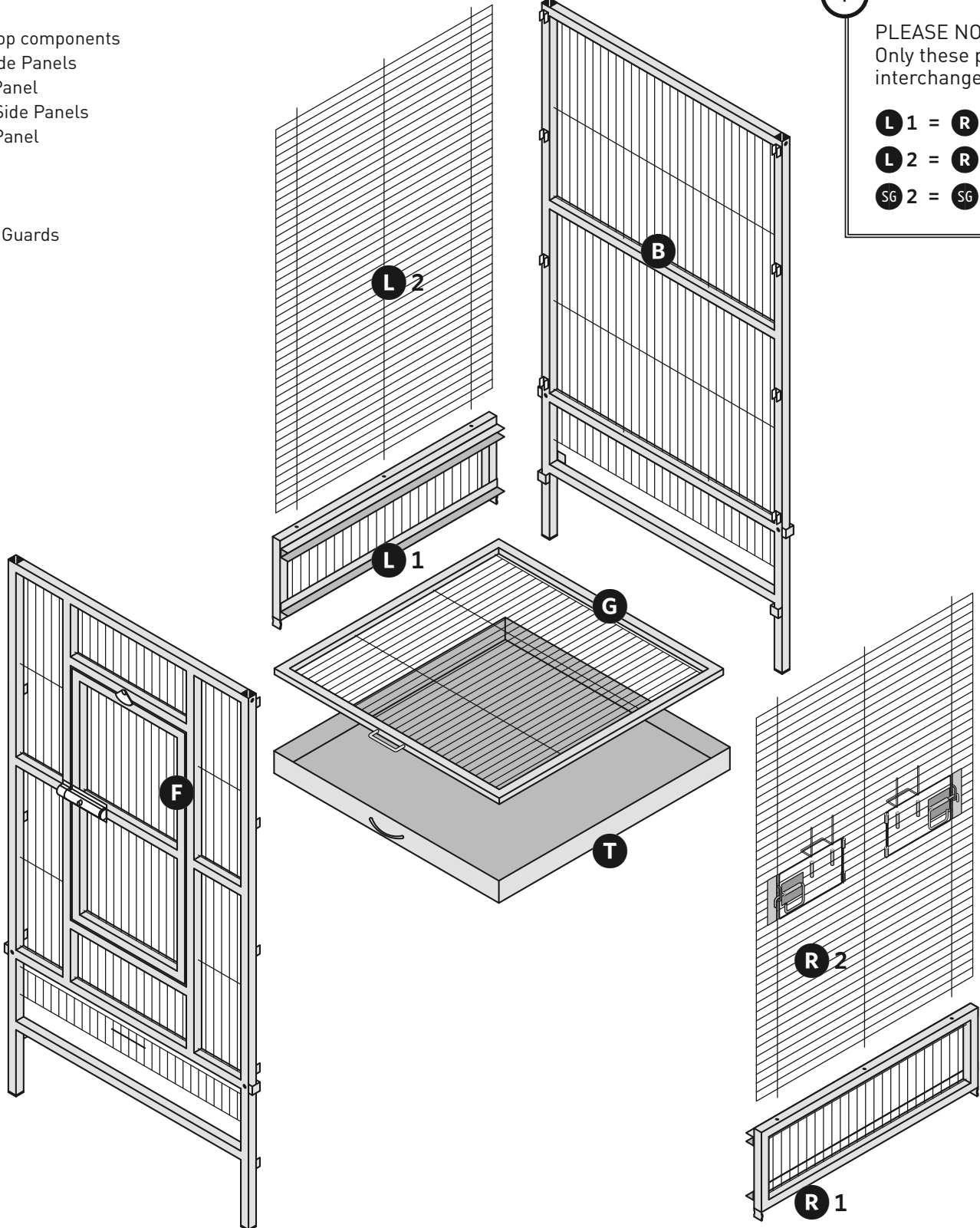
G = Grille

T = Tray

SG = Seed Guards

**\***  
PLEASE NOTE :  
Only these parts are  
interchangeable:

**L 1 = R 1**  
**L 2 = R 2**  
**SG 2 = SG 4**





3152 ALL COLORS  
98100

# Playtop Cage PARTS LIST

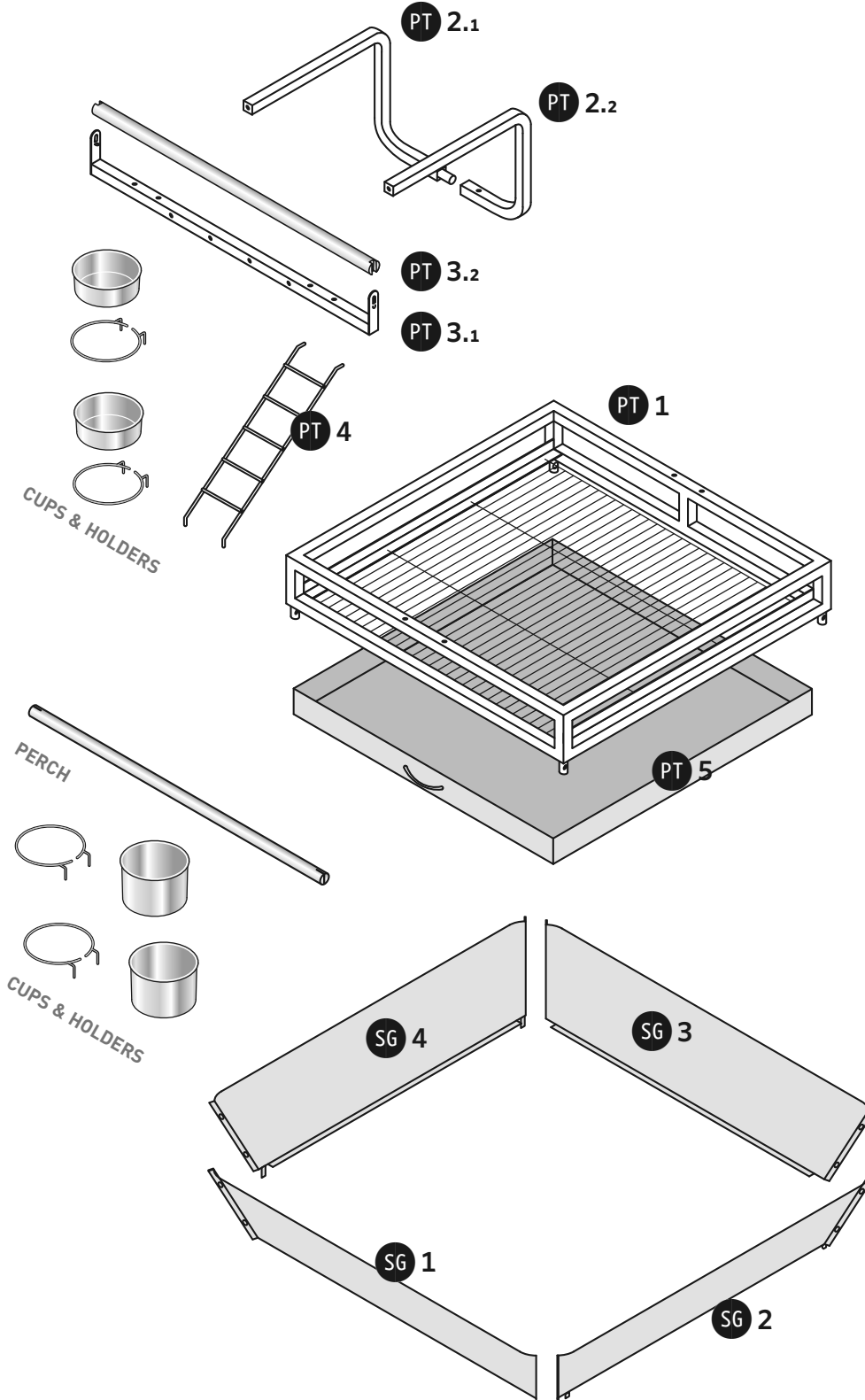
Instructions online at [www.prevuepet.com](http://www.prevuepet.com)

CUSTOMER SUPPORT  
Please contact Prevue Pet Products:


PHONE 1 (312) 243-3624

ONLINE [www.prevuepet.com](http://www.prevuepet.com)

EMAIL [customerservice@prevuepet.com](mailto:customerservice@prevuepet.com)




## HARDWARE INCLUDED:

 Long Screws  
8 pcs +1

 Short Screws  
4 pcs +1

 Short Screws with Nuts  
8 pairs +1

 Grille Clip  
1 pcs

 Casters  
4 pcs

 Touch-up Paint & Brush

## TOOLS INCLUDED:

 Hex Key  
(included)

OPTIONAL :  
Small adjustable crescent wrench (not included)



**3152** ALL COLORS  
**98100**

# Playtop Cage ASSEMBLY

Instructions online at [www.prevuepet.com](http://www.prevuepet.com)

## CUSTOMER SUPPORT

Please contact Prevue Pet Products:

**PHONE** 1 (312) 243-3624

**ONLINE** [www.prevuepet.com](http://www.prevuepet.com)

**EMAIL** [customerservice@prevuepet.com](mailto:customerservice@prevuepet.com)

For best results, follow the Assembly Steps in the order presented.

### KEY:

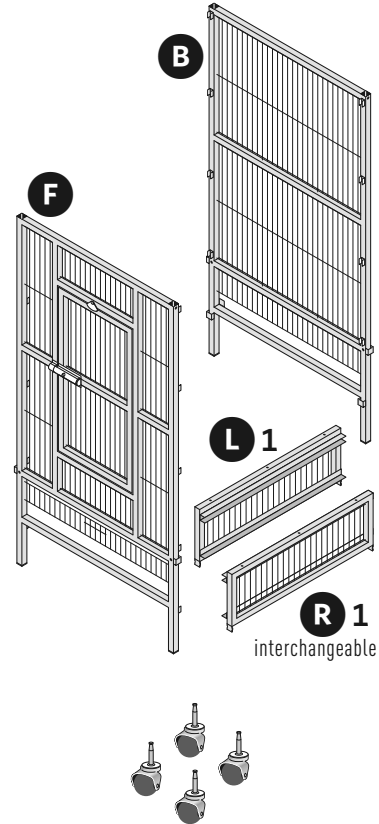
- L = Left Side Panels
- B = Back Panel
- R = Right Side Panels
- F = Front Panel
- PT = Playtop Components
- G = Grille
- T = Tray
- SG = Seed Guards

\* You may wish to involve an assistant during certain steps of this assembly

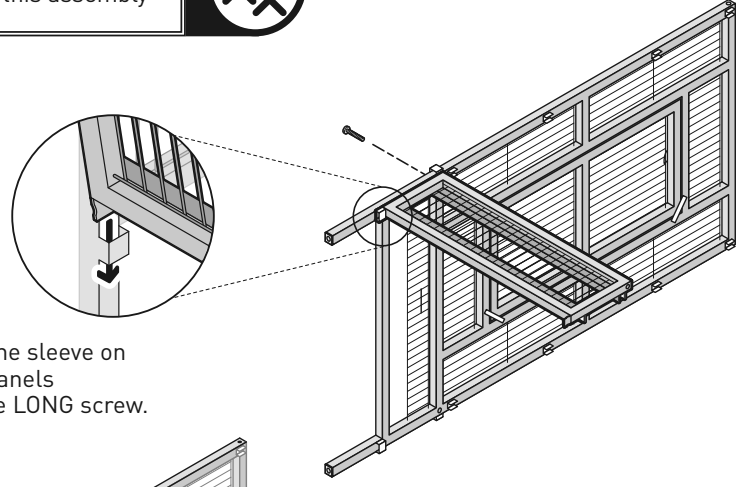


## 1 PIECES

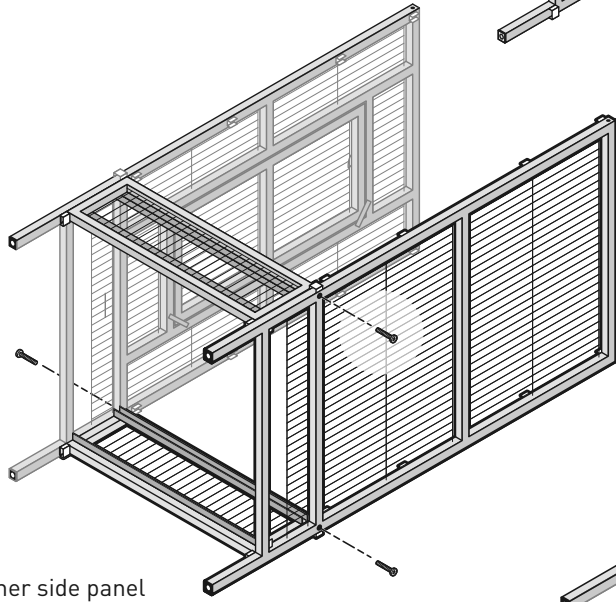
[ 4 ] LONG



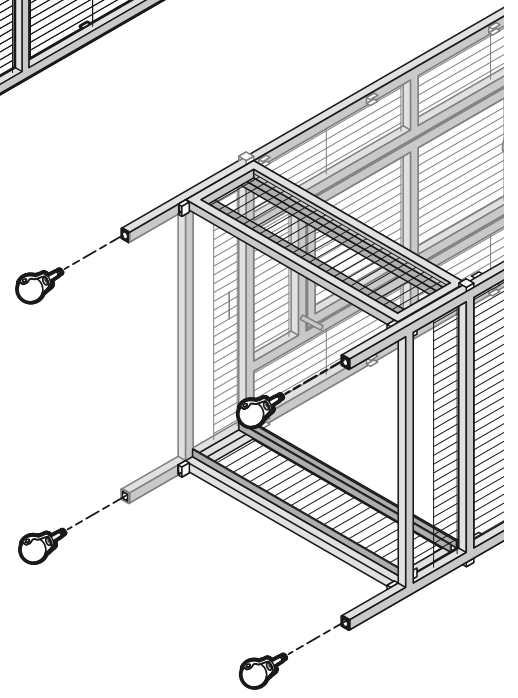
**A.** Lay the front panel on the floor. Slip the tab on the lower side panel onto the sleeve on the frame leg. Attach the panels together at the top with one LONG screw.



**B.** Add the other side panel and the back panel, and secure all top corners with LONG screws.



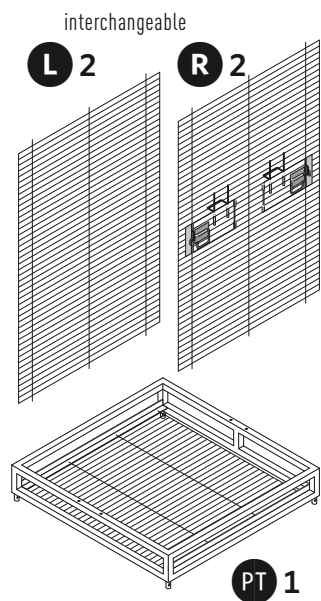
**C.** Fully insert the rolling casters into the base of the frame legs. When finished, carefully stand the cage upright.



# 2 PIECES



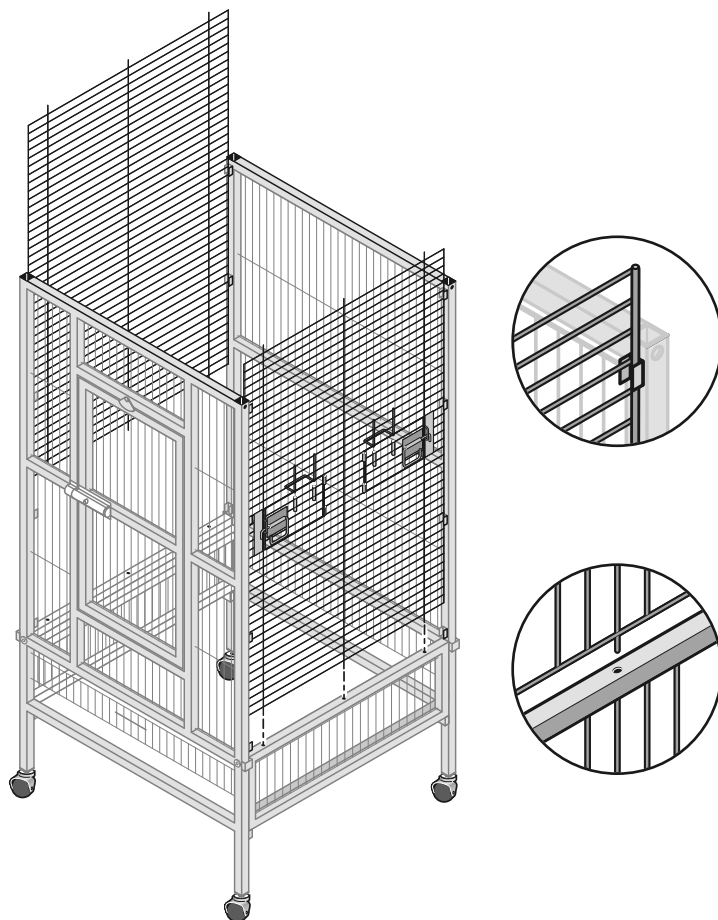
[4] SHORT



The side panel with cup doors can be inserted on either the left or the right side. Be sure the doors will swing open to the cage exterior.

Slip the side panels into place, guiding panels down through the brackets.

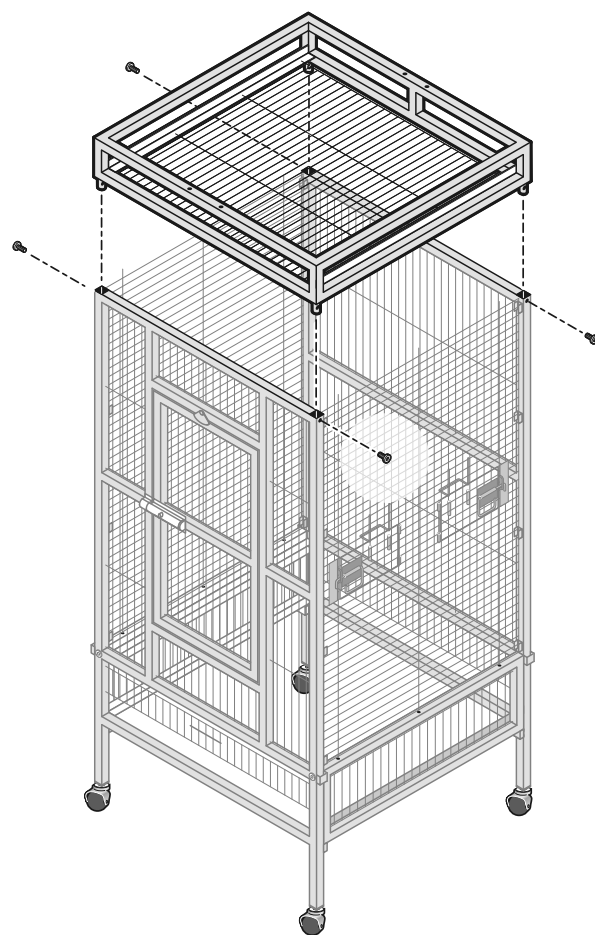
At the base, insert the extended wires into the holes on the lower panel frames.




Insert the corner posts at the base of the roof frame into the open corners on the cage frame.

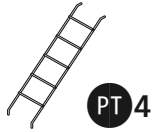
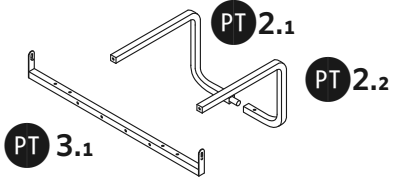
Along the underside of the frame are holes. Align and insert the extended wires of the side panels into the holes.

Secure the roof in place with SHORT screws.

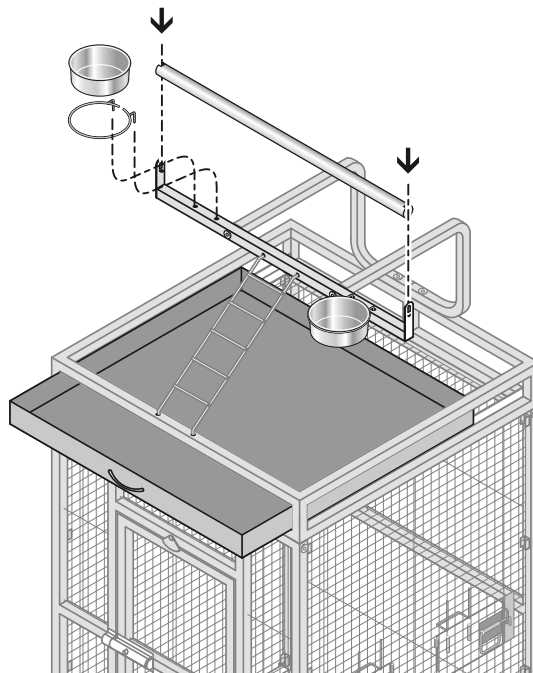
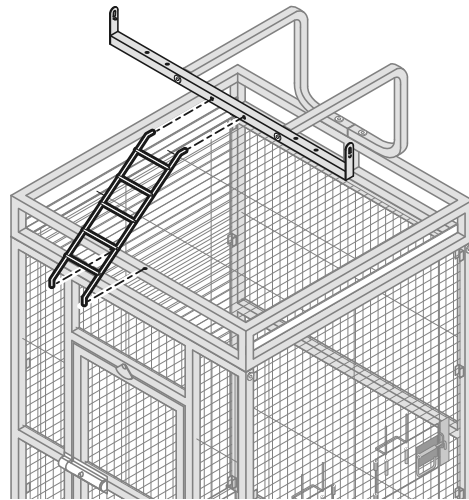
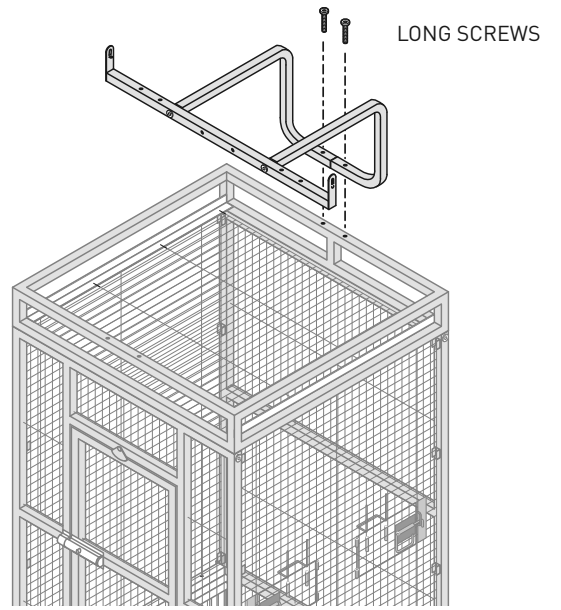
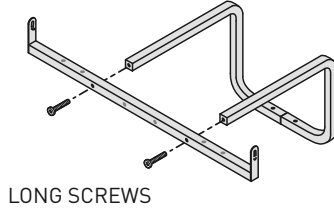
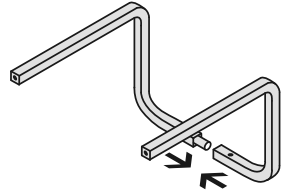
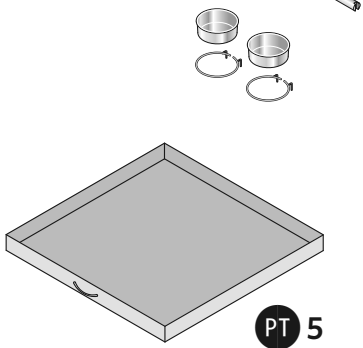


# 3 PLAYTOP COMPONENTS

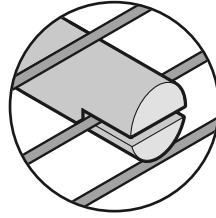
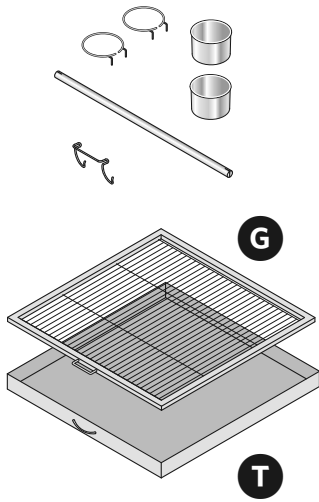
 [ 4 ] LONG



PT 3.2  
SLOTTED-ENDS  
PERCH

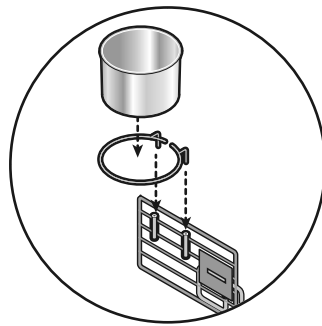


# 4 PIECES



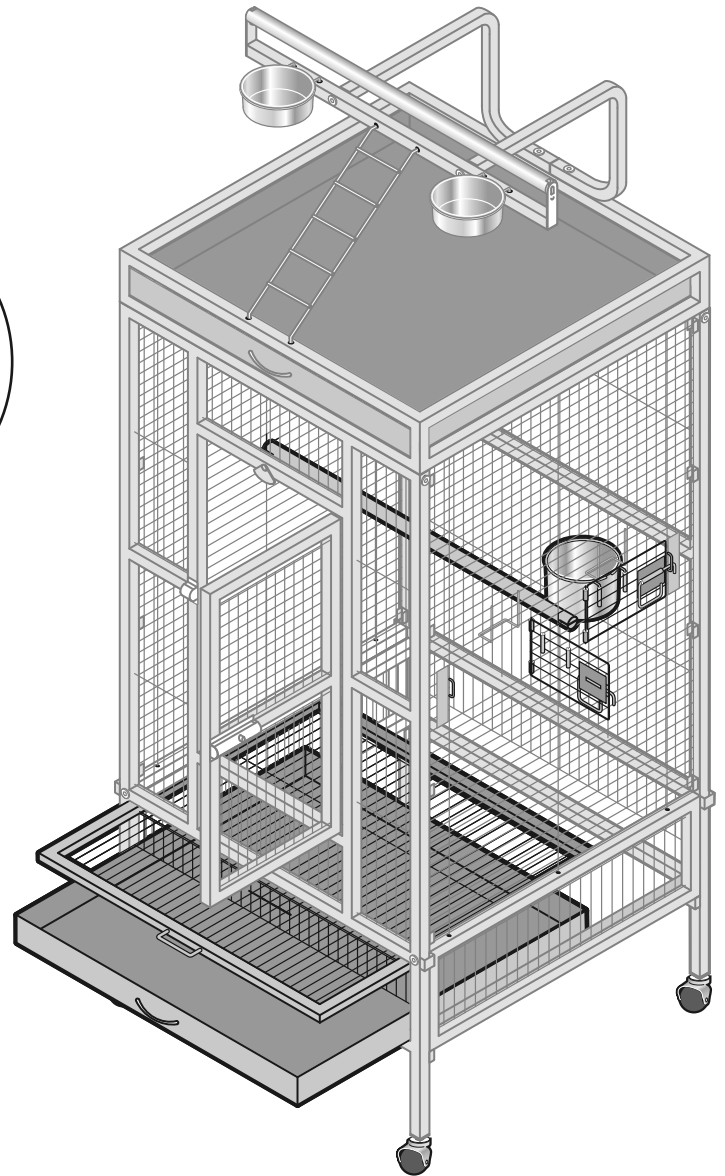
## PERCH

Install the perch by inserting both slotted ends onto a horizontal wire of an even height.



## CUPS

Open the cup door. Insert the cup holder into the sleeves. Insert the cup into the cup holder.

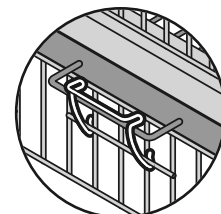


## GRILL + TRAY

Insert the tray into the bottom channels. Insert the grille into the top channels.

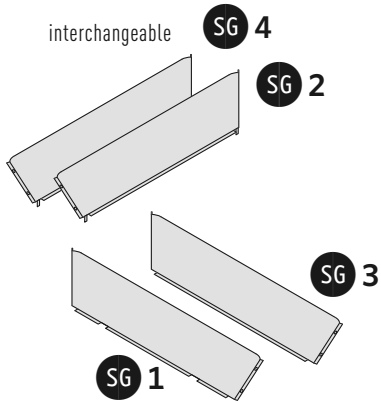
## GRILL CLIP


Hook the grille clip onto the short horizontal wire above the tray. Clip the top portion over the grille handle to secure the grille in place.

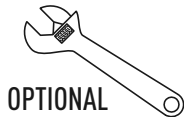




# 5 PIECES



 [ 8 ] PAIR



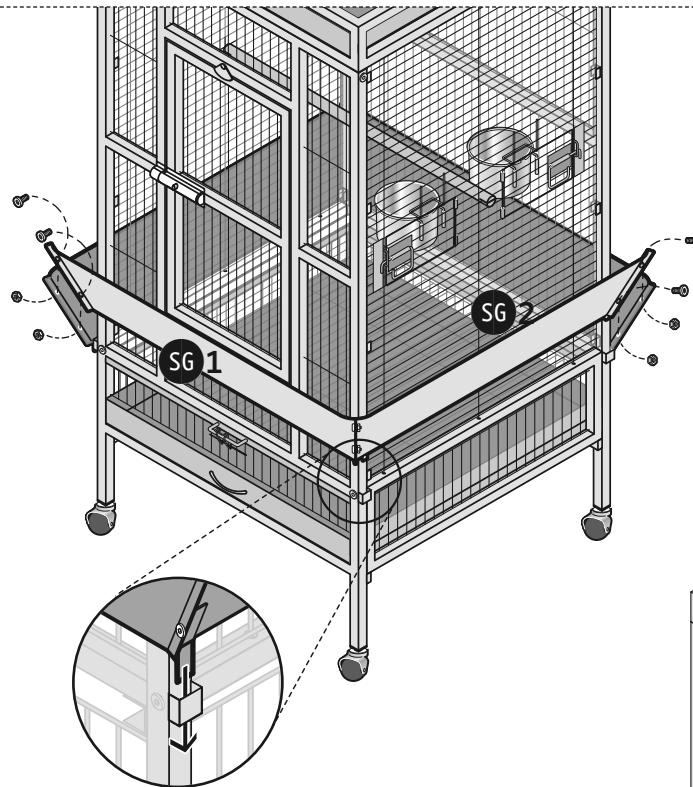
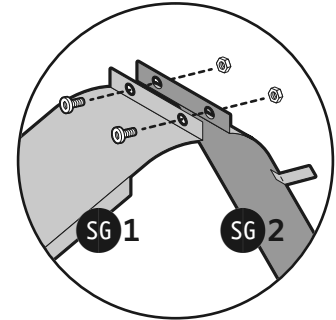
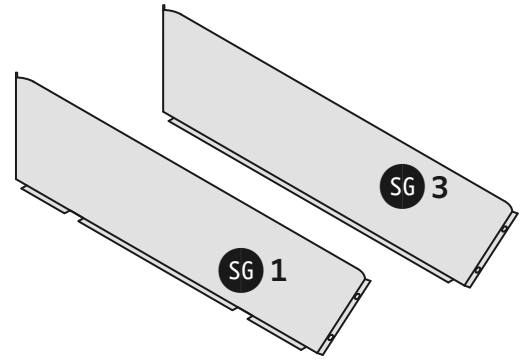
OPTIONAL



## SEED GUARDS

The front guard (SG1) has NOTCHES along the bottom strip. The back guard (SG3) has a continuous strip along the bottom.

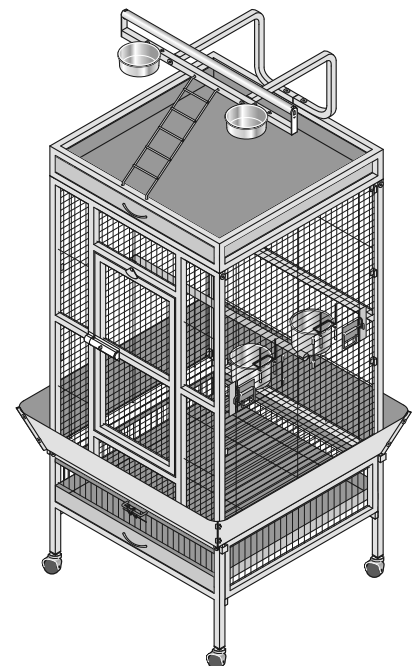
Pre-assemble in pairs (SG1 + SG2) and (SG3 + SG4). Align the holes on the flashing strips at the corners. Insert a SHORT screw through both guards and tighten the nut in place. An adjustable crescent wrench may be useful at this stage.



Position the assembled guard pairs in place on the cage by inserting the TABS on the SIDE guards into the sleeves on the frame legs.

Make sure the FRONT guard—with notches along the bottom strip—is positioned at the front of the cage.

Finish by attaching the seed guards together at the open corners with the remaining short screw/nut pairs.



Assembly completed. 