



# Flight Cage PARTS LIST

Instructions online at [www.prevuepet.com](http://www.prevuepet.com)

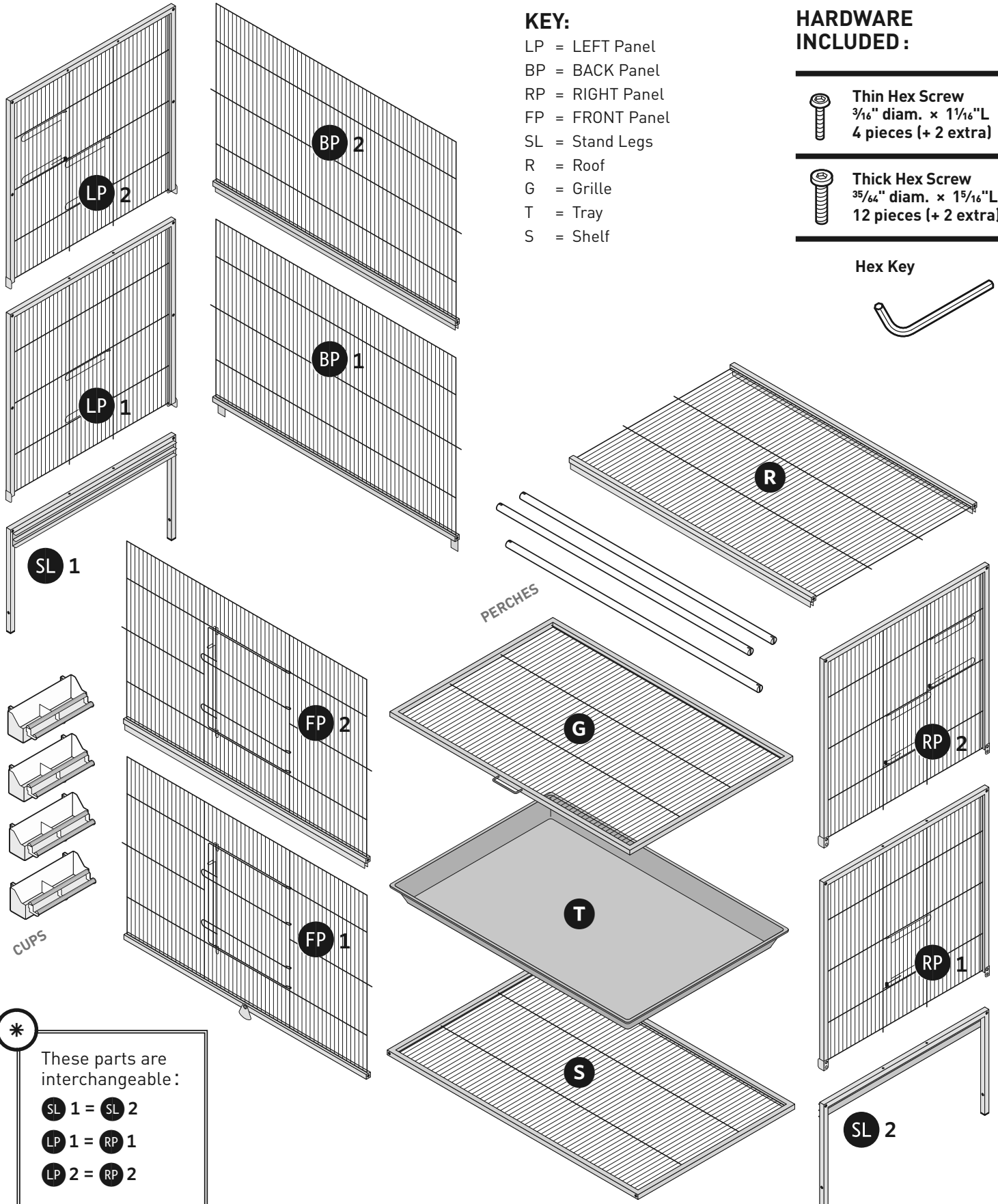
## CUSTOMER SUPPORT

For assistance or replacement parts, please contact Prevue Pet Products:

**PHONE** 1 (312) 243-3624

**ONLINE** [www.prevuepet.com](http://www.prevuepet.com)


**EMAIL** [customerservice@prevuepet.com](mailto:customerservice@prevuepet.com)



### KEY:

- LP = LEFT Panel
- BP = BACK Panel
- RP = RIGHT Panel
- FP = FRONT Panel
- SL = Stand Legs
- R = Roof
- G = Grille
- T = Tray
- S = Shelf

### HARDWARE INCLUDED:

 **Thin Hex Screw**  
 $\frac{3}{16}$ " diam. x  $1\frac{1}{16}$ " L  
 4 pieces (+ 2 extra)

 **Thick Hex Screw**  
 $\frac{35}{64}$ " diam. x  $1\frac{5}{16}$ " L  
 12 pieces (+ 2 extra)

Hex Key

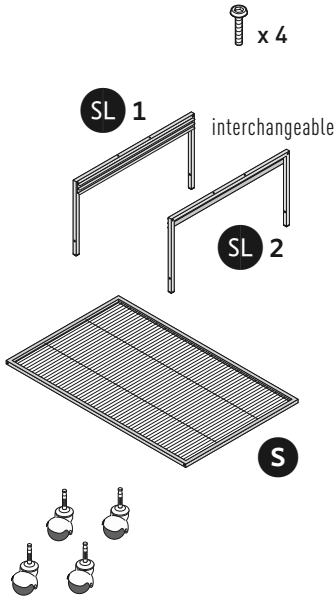


\* These parts are interchangeable:

- SL 1 = SL 2
- LP 1 = RP 1
- LP 2 = RP 2

\* For most, one person can assemble this cage. Some people may find an assistant helpful in Steps 2—4. \*

## 1 PIECES

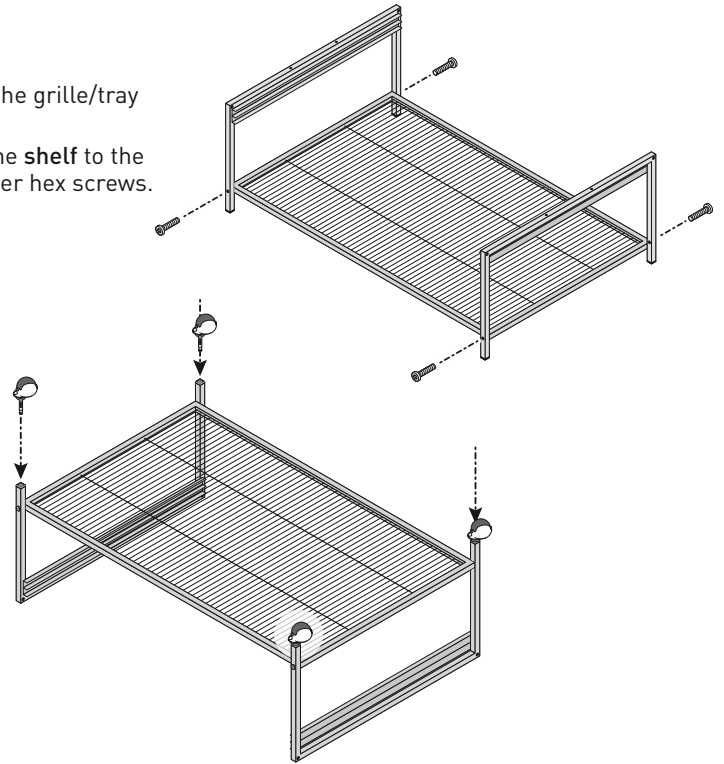


Orient the **stand legs** with the grille/tray tracks facing each other.

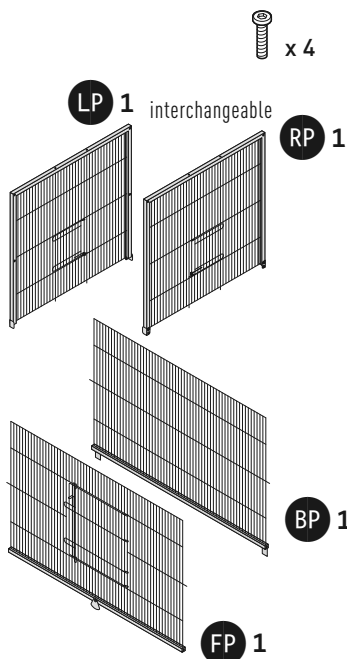
Use the hex key to attach the **shelf** to the legs with the smaller/thinner hex screws.

Turn the unit over and add the **casters**.

With straight downward pressure, insert the post of the caster fully into the leg.



## 2 PIECES



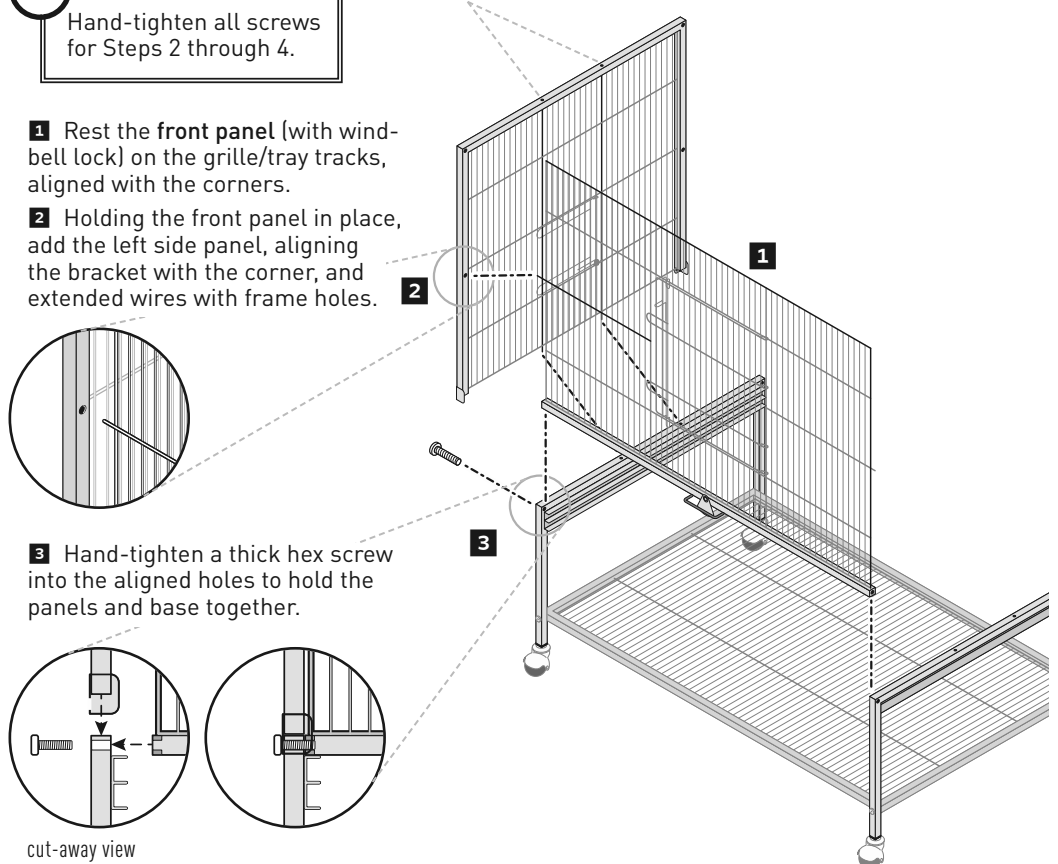
\* Hand-tighten all screws for Steps 2 through 4.

**1** Rest the **front panel** (with wind-bell lock) on the grille/tray tracks, aligned with the corners.

**2** Holding the front panel in place, add the left side panel, aligning the bracket with the corner, and extended wires with frame holes.

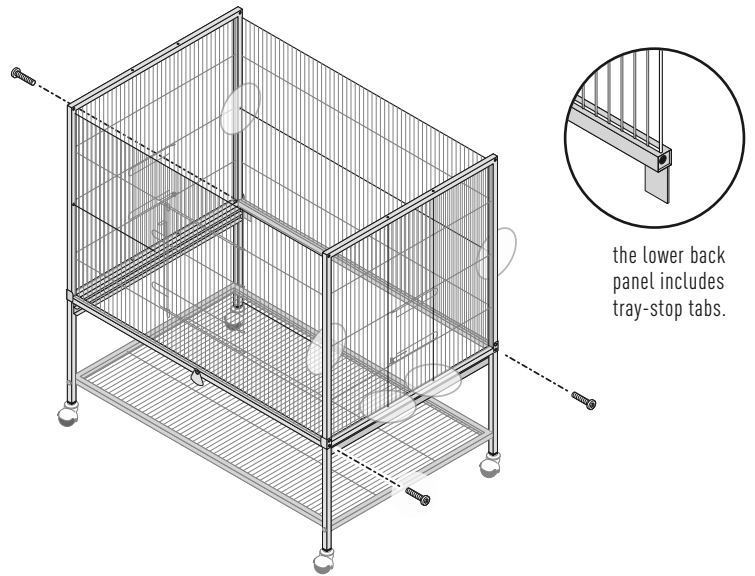
**3** Hand-tighten a thick hex screw into the aligned holes to hold the panels and base together.

NOTE: Lower side panels have holes on the top of the frame.

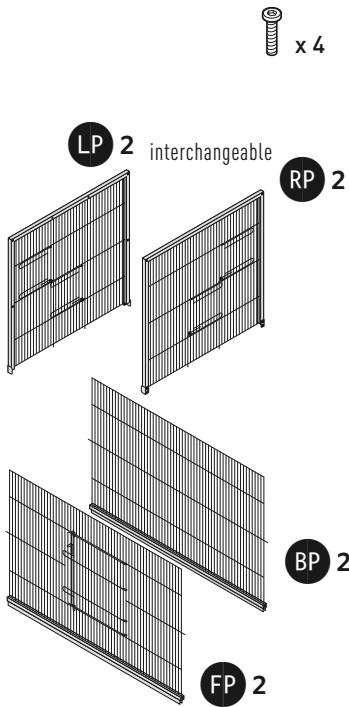


# 2 continued...

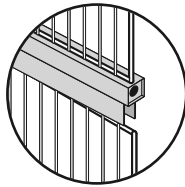
Add the **right side panel** and then the **back panel**, hand-tightening screws into each bottom corner. Confirm that all extended wires on the panels are inserted into their corresponding holes along the frames in all places.



# 3 PIECES

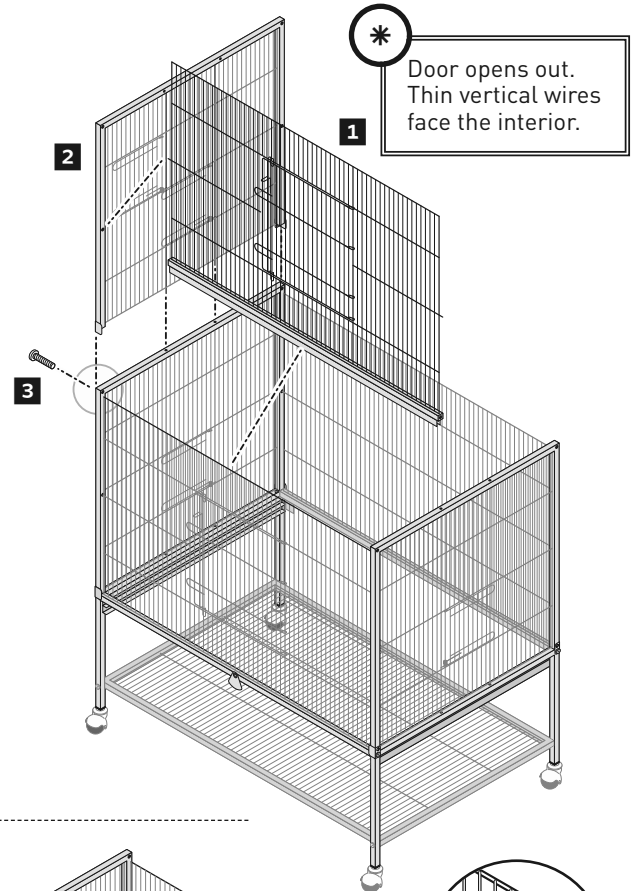


**1** Guide the top of the lower panel between the channels along the bottom edge of the upper front panel.



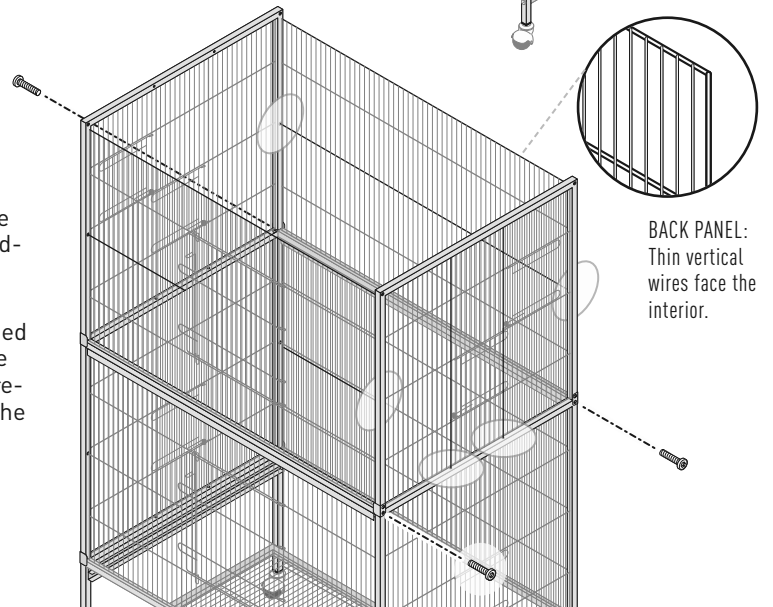
**2** Holding the upper front panel in place, add the **upper left side panel**, aligning the bracket with the corner, and extended wires with frame holes.

**3** Hand-tighten a thick hex screw into the aligned holes to hold the panels together.

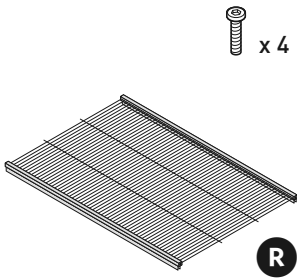


Add the **upper right side panel** and then the **upper back panel**, hand-tightening screws into each bottom corner.

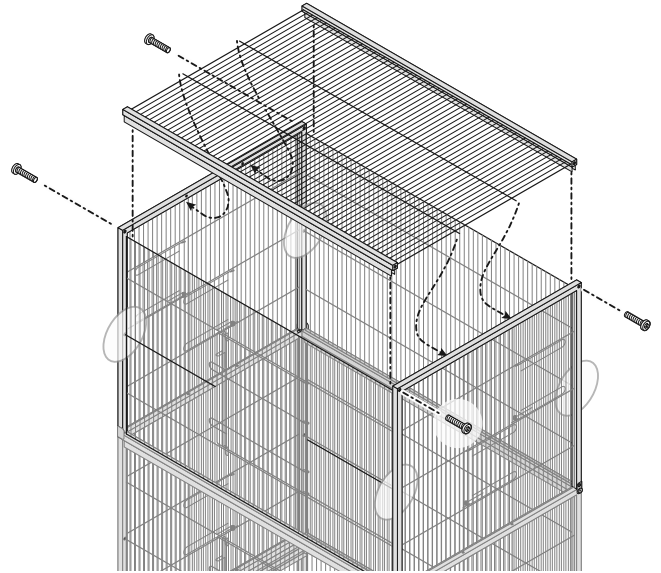
Confirm that all extended wires on the panels are inserted into their corresponding holes along the frames in all places.



# 4 PIECES



Add the **roof panel**.  
 Guide the front and back panels into the channels on the underside of the frame rails on the roof panel.  
 Align the extended wires into the corresponding holes along the side frames.  
 Check that the extended wires from the front and back panels have not slipped out of their corresponding holes.  
 Hand-tighten screws into each corner.



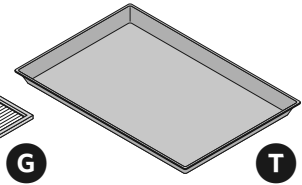
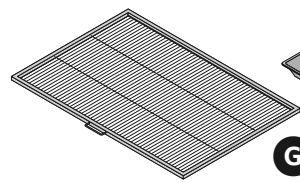
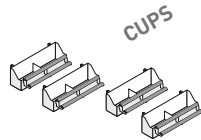
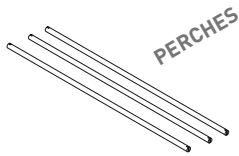
# 5



Review the entire cage. \* Verify all extended panel wires are inserted in their corresponding holes. \* Verify front and back panels are

contained within the channels of the panels above them. \* Use the hex key to tighten all hex screws until snug.

# 6 PIECES

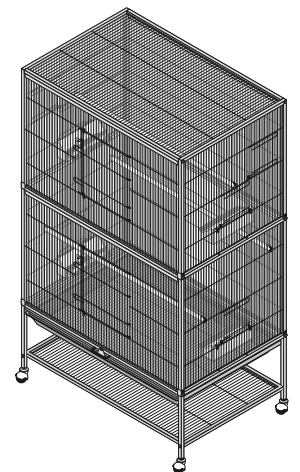
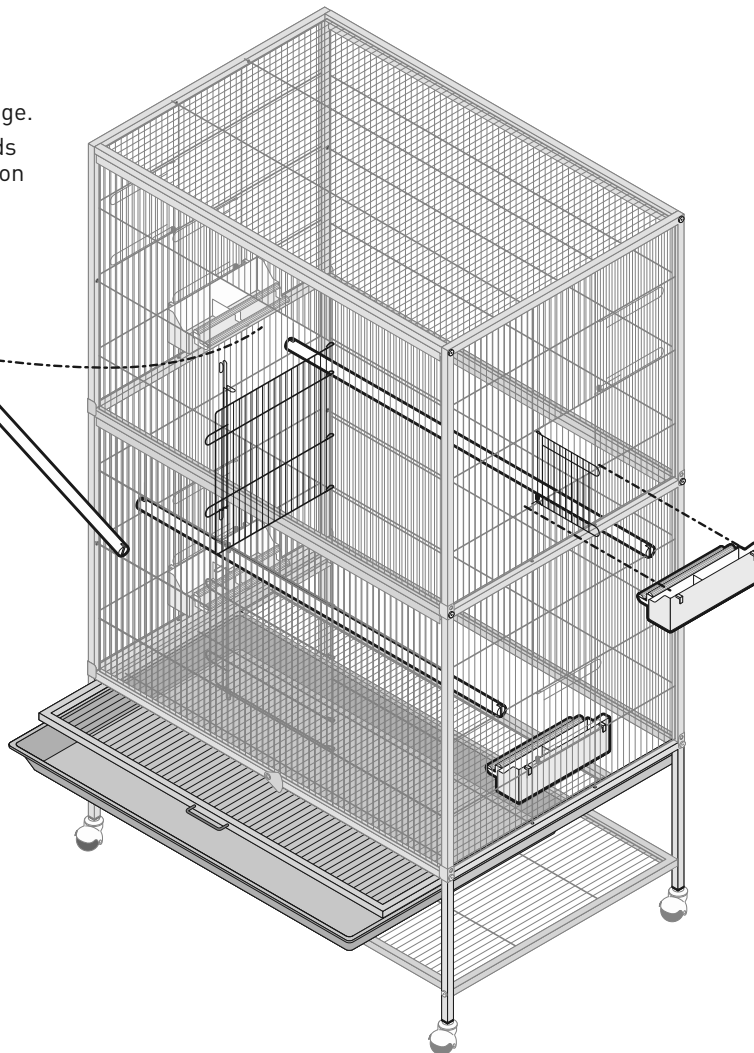


Open the front doors.  
 Add the **perches** at various positions throughout the cage.  
 Insert the slotted perch ends onto vertical wires, resting on a horizontal wire.

\* Avoid placing perches on wires which will impede operation of the cup doors.

Rotate the windbell lock up and slide the **grille** into the upper channels.  
 Slide the **tray** into the lower channels.

Carefully hold the snap-hinge cup doors open.  
 Hook the **cups** on the horizontal wire along the bottom edge of the opening.  
 Do not place the cup where the hooks may impede the operation of the snap-hinge or door closing.



Assembly completed. ■