


**KEY:**

- R = Roof
- S = Side pieces
- BK = Back pieces
- B = Base
- F = Front pieces

 **Hex Screw**  
8 pcs

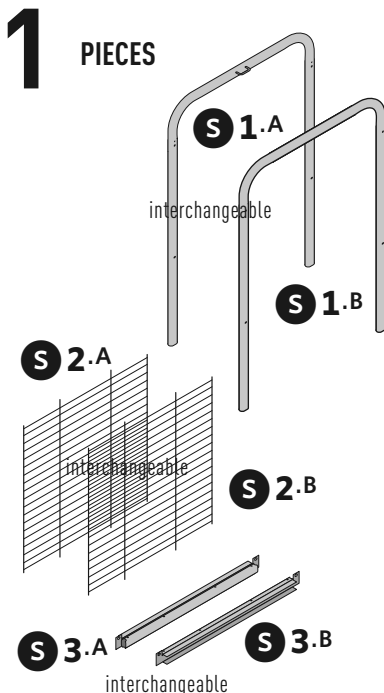
 **Casters**  
4 pcs

 **Hex Key**

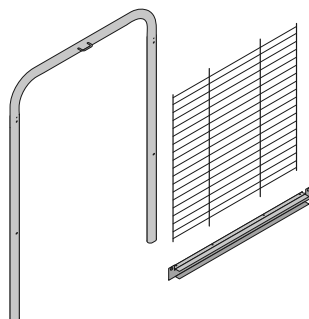
 **Wrench**

**\***  
Interchangeable:  
**S 1.A = S 1.B**  
**S 2.A = S 2.B**  
**S 3.A = S 3.B**

# ASSEMBLY



**PREASSEMBLE THE SIDE PANELS**

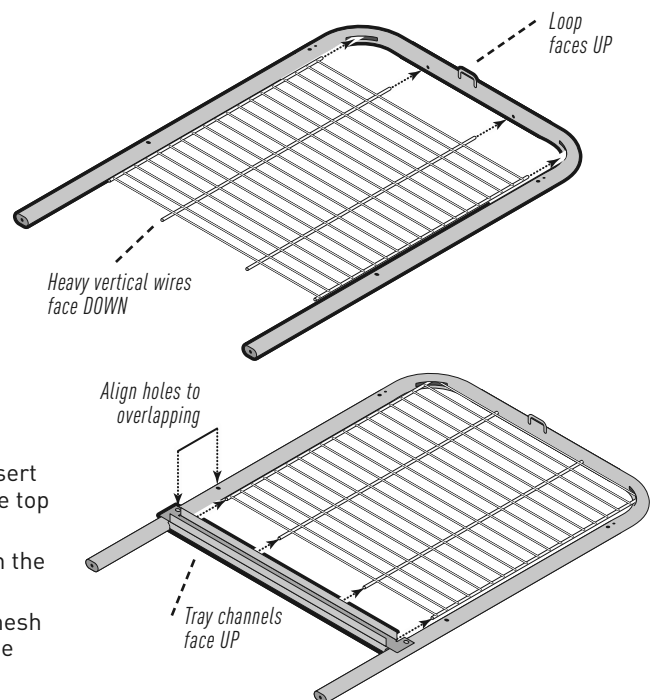


See notes on Parts orientation.

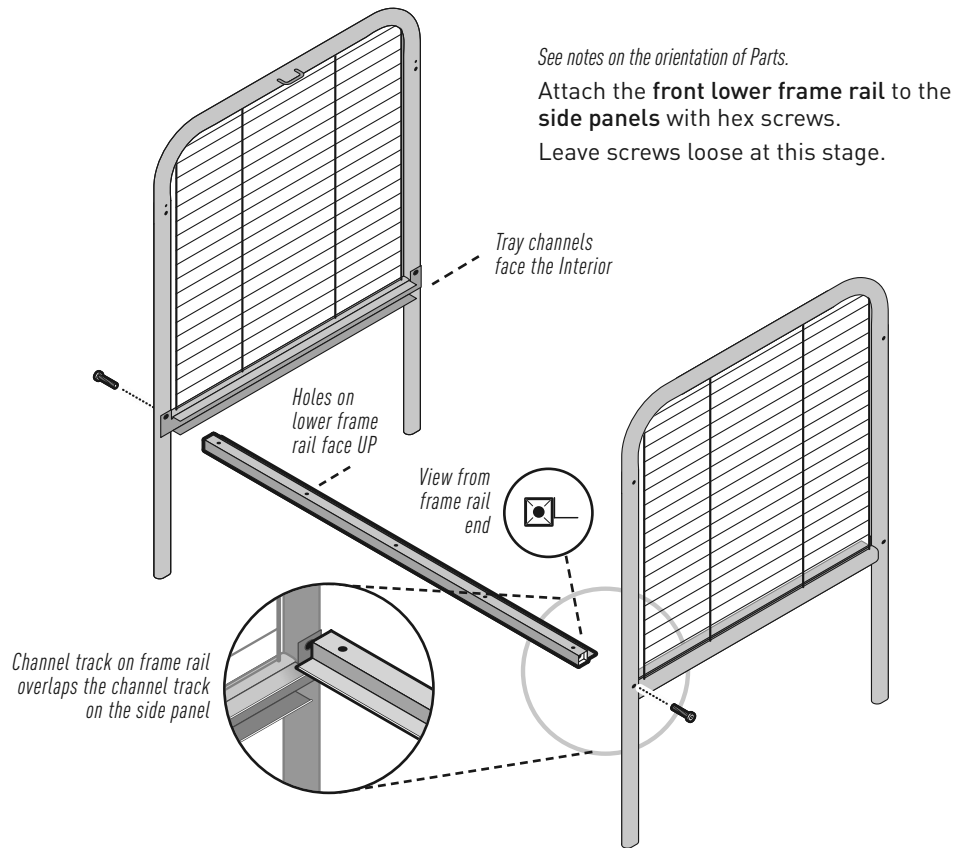
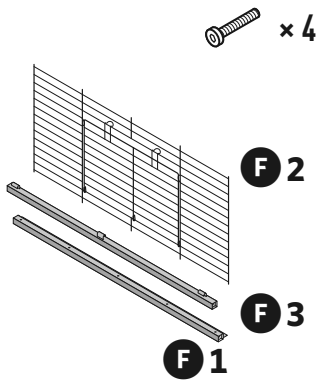
With the **S 1** frame laying flat, insert the **S 2** mesh into the holes at the top of the frame.

Insert the **S 3** frame bar between the frame legs.

Slide up carefully, inserting the mesh into the top holes, and aligning the holes along the frame legs.



# 2 PIECES

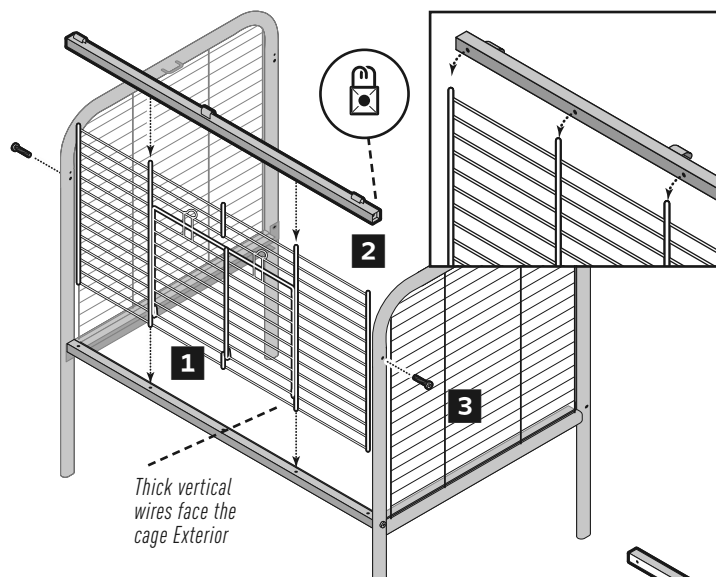


See notes on the orientation of Parts.

Attach the **front lower frame rail** to the **side panels** with hex screws.

Leave screws loose at this stage.

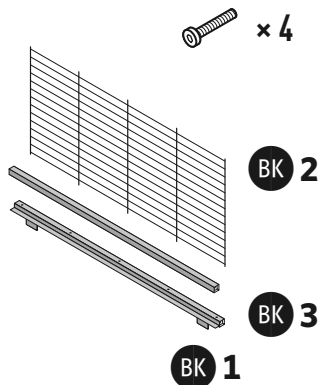
Channel track on frame rail overlaps the channel track on the side panel



**1** Insert the extended wires of the **front panel** into the holes of the frame rail.

**2** Insert the **front upper frame rail** onto the extended wires of the front panel.

**3** Attach the frame rail to the side panels with hex screws.



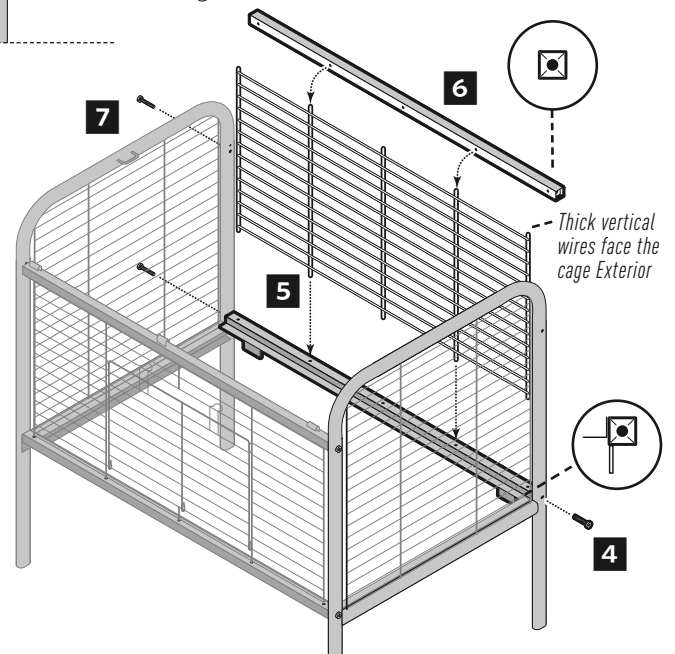
Same assembly as the front, with these exceptions:

**4** Attach the **back lower frame rail** with hex screws. On one side, attach the screw just enough to hold the rail — the screw will be removed in the next step.

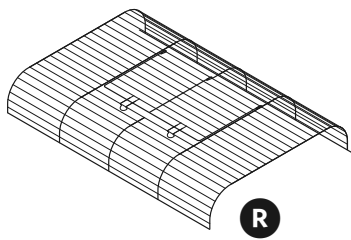
**5** Insert the **back panel**.

**6** Add the **back upper frame rail**.

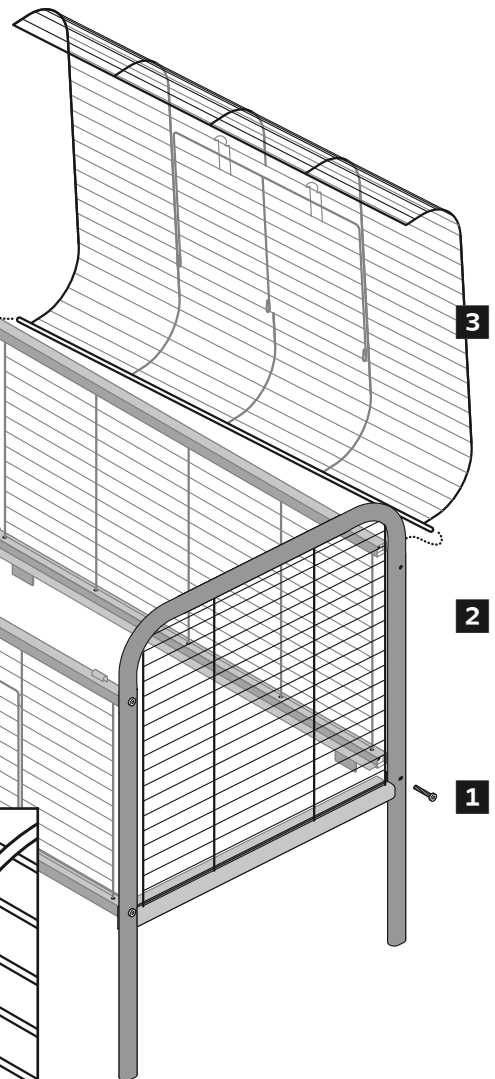
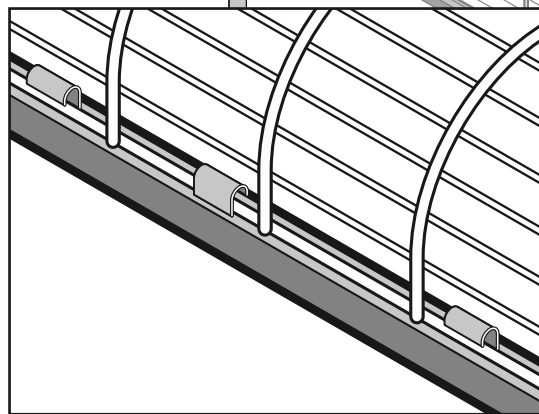
**7** Attach the top frame rail with one screw.



# 3 PIECES



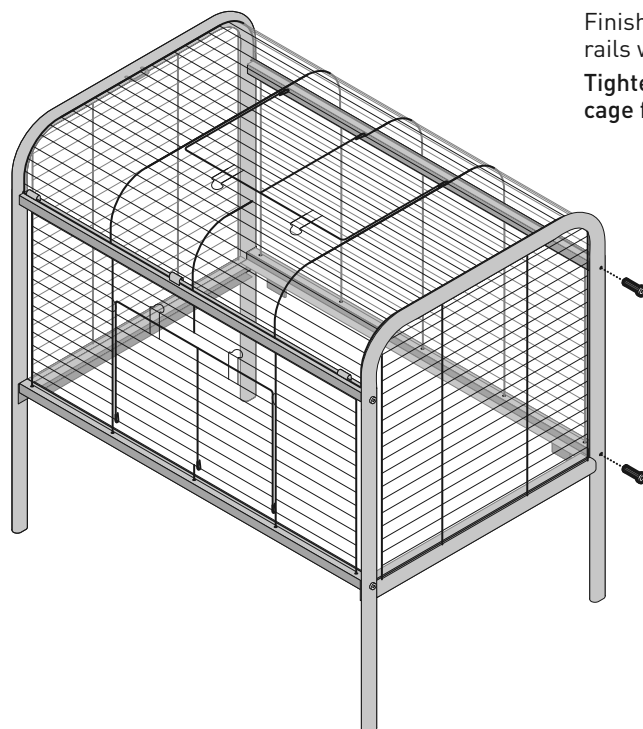
- 1 Remove the lower frame rail screw that was left loose.
- 2 Open the seam up wide enough to:
- 3 ...insert the extended wires on the **roof panel** into the small holes on the side frames, just above the frame rail. Push the back/side panel seam closed to secure the extended wires in place.
- 4 Close the roof and catch the front edge wire under the alternating hooked tabs along the top frame rail.



2

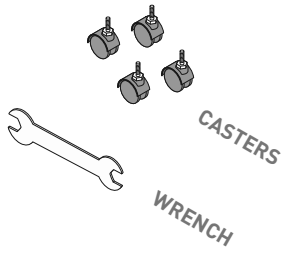
1

4

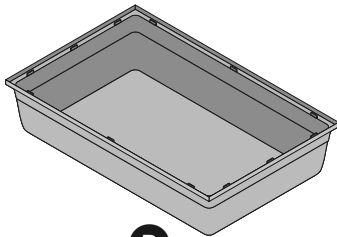
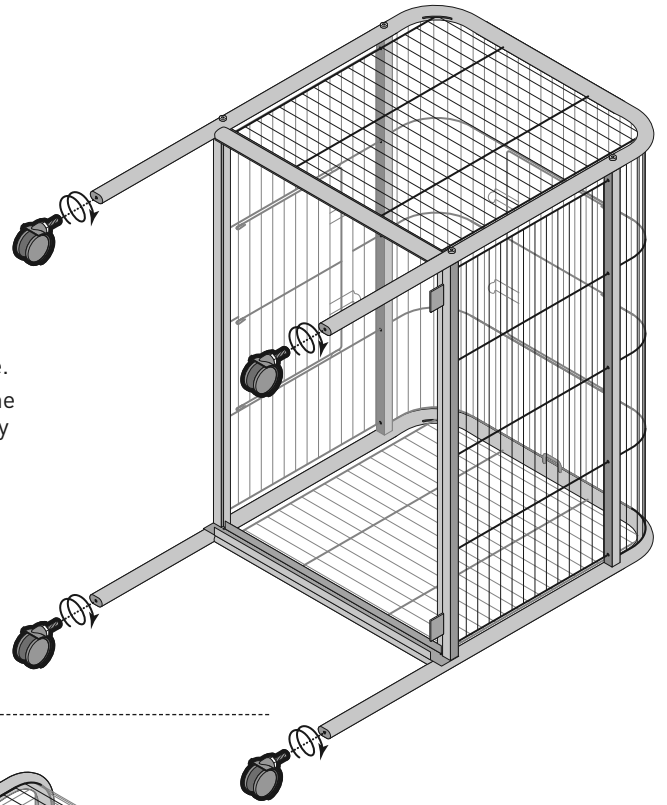


Finish attaching the back panel frame rails with the remaining hex screws.  
Tighten up ALL screws over the entire cage for a stable and secure assembly.

# 4 PIECES

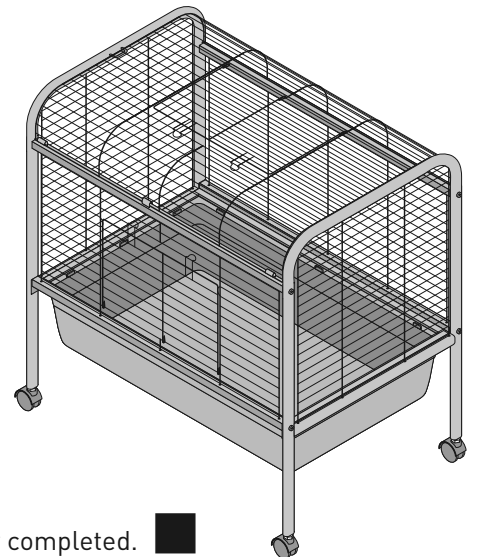
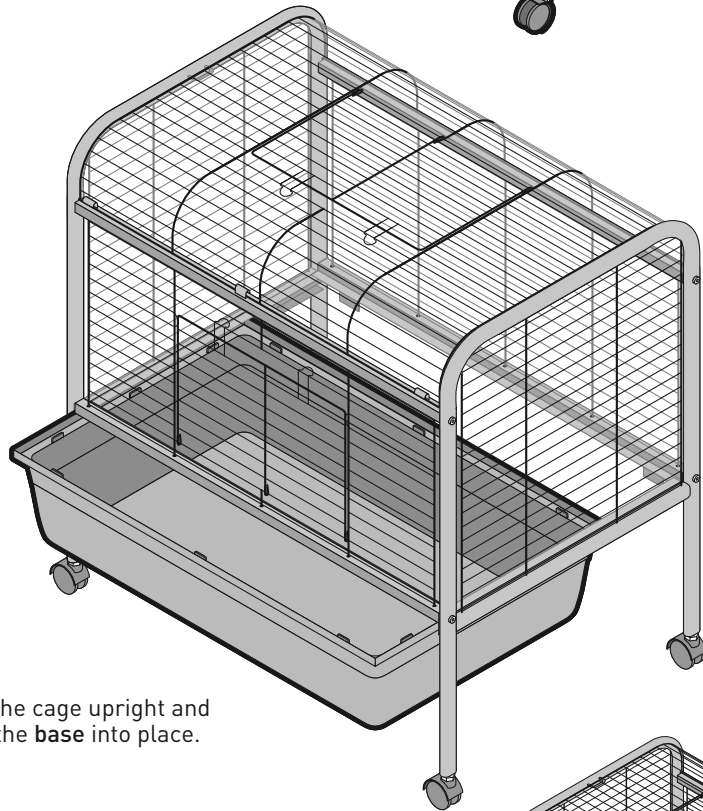


Carefully tip the cage on its side. Hand-tighten the casters into the frame legs and, to get them fully inserted, finish tightening with the enclosed wrench.



**B**

Turn the cage upright and slide the **base** into place.



Assembly completed. ■