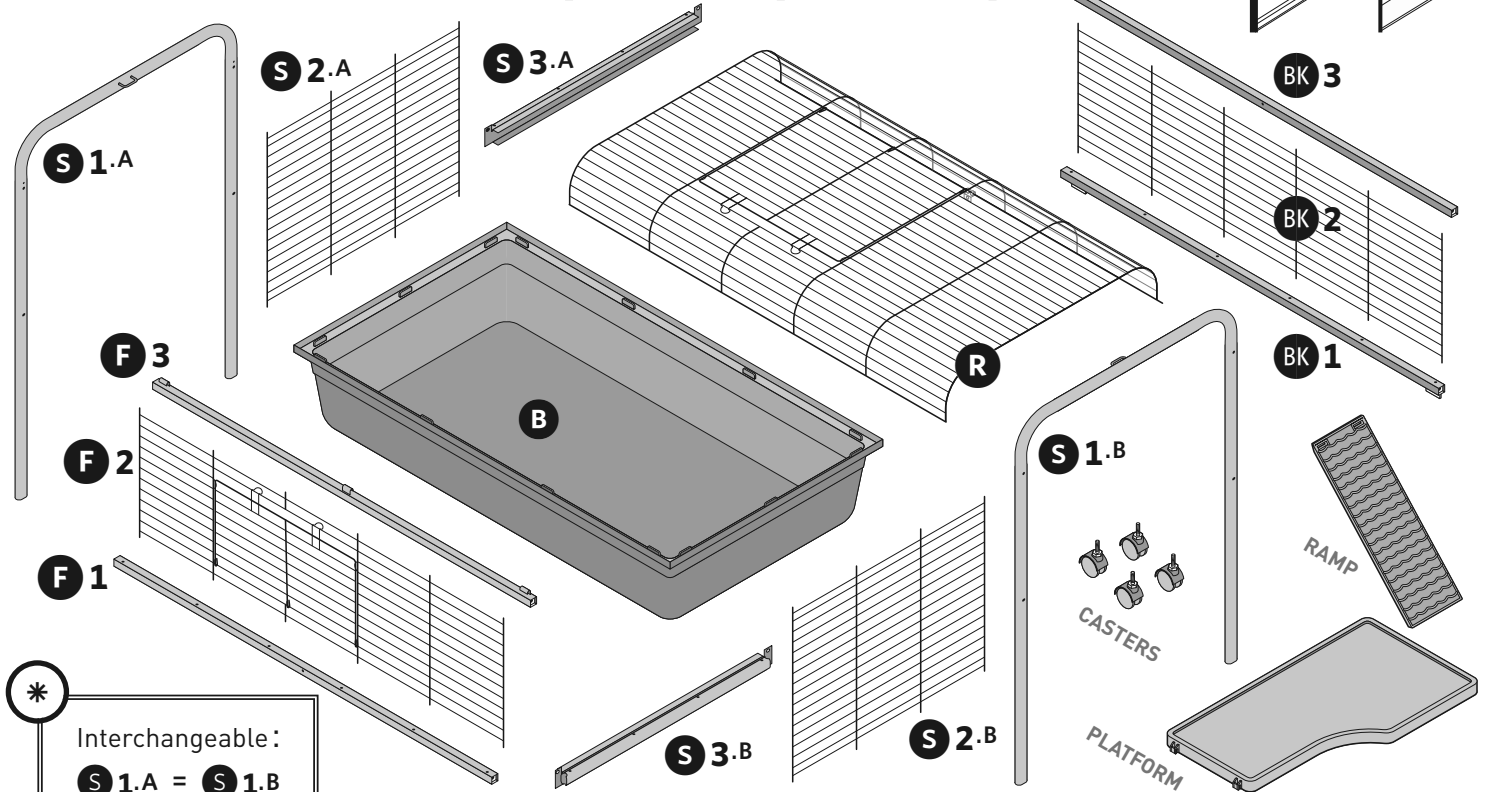
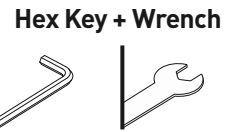
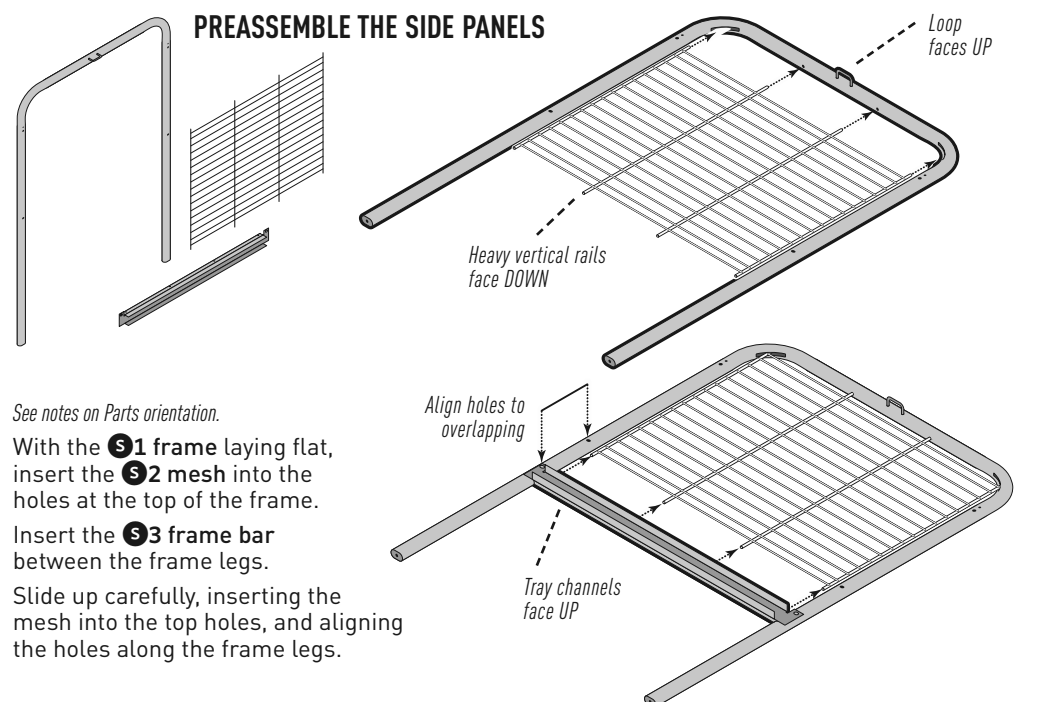
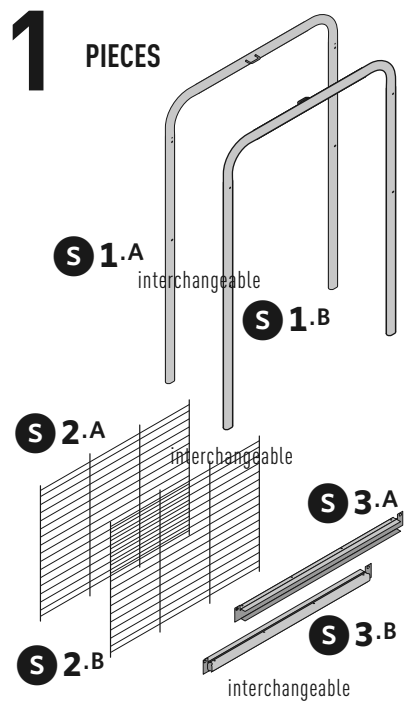


**KEY:** R = Roof      B = Base  
S = Side pieces      F = Front pieces  
BK = Back pieces

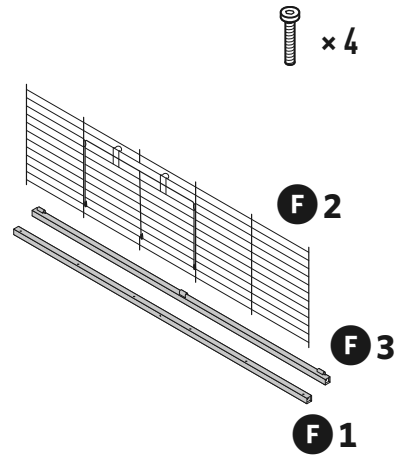


\* Interchangeable:  
**S 1.A** = **S 1.B**  
**S 2.A** = **S 2.B**  
**S 3.A** = **S 3.B**

# ASSEMBLY



# 2 PIECES

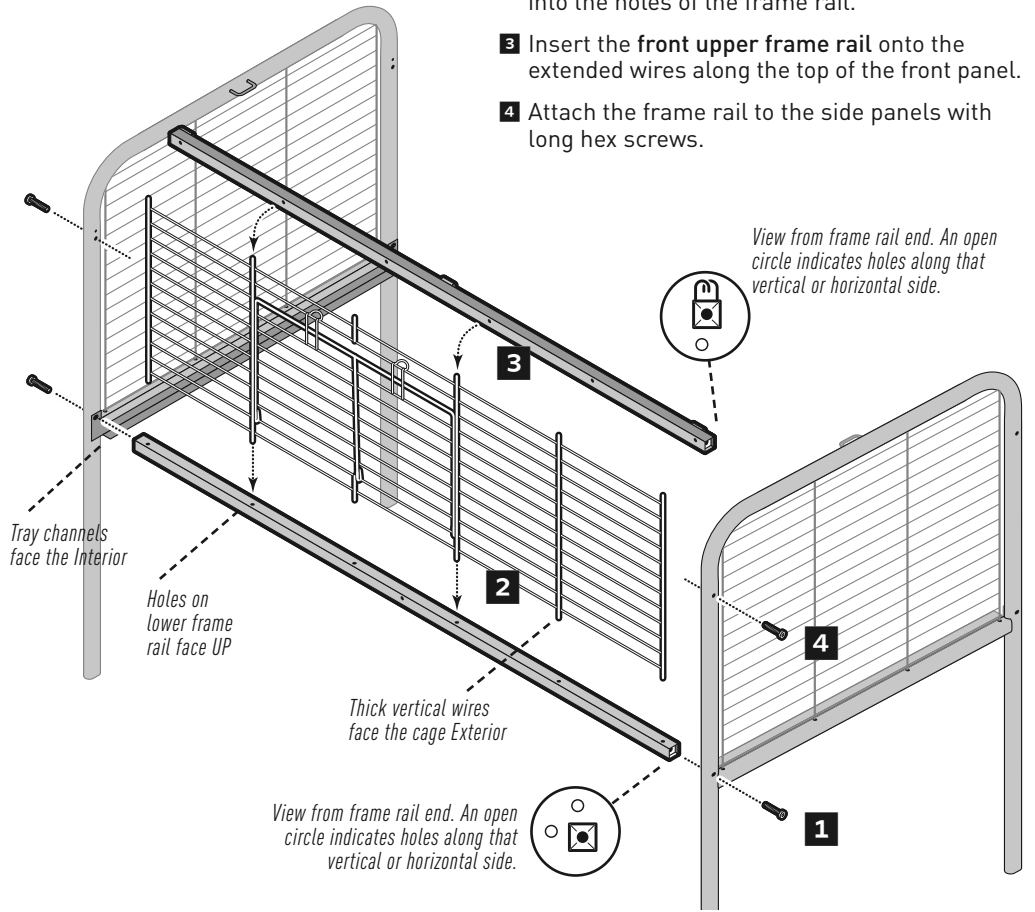


See notes on the orientation of Parts.

Attach the front lower frame rail to the side panels with long hex screws.

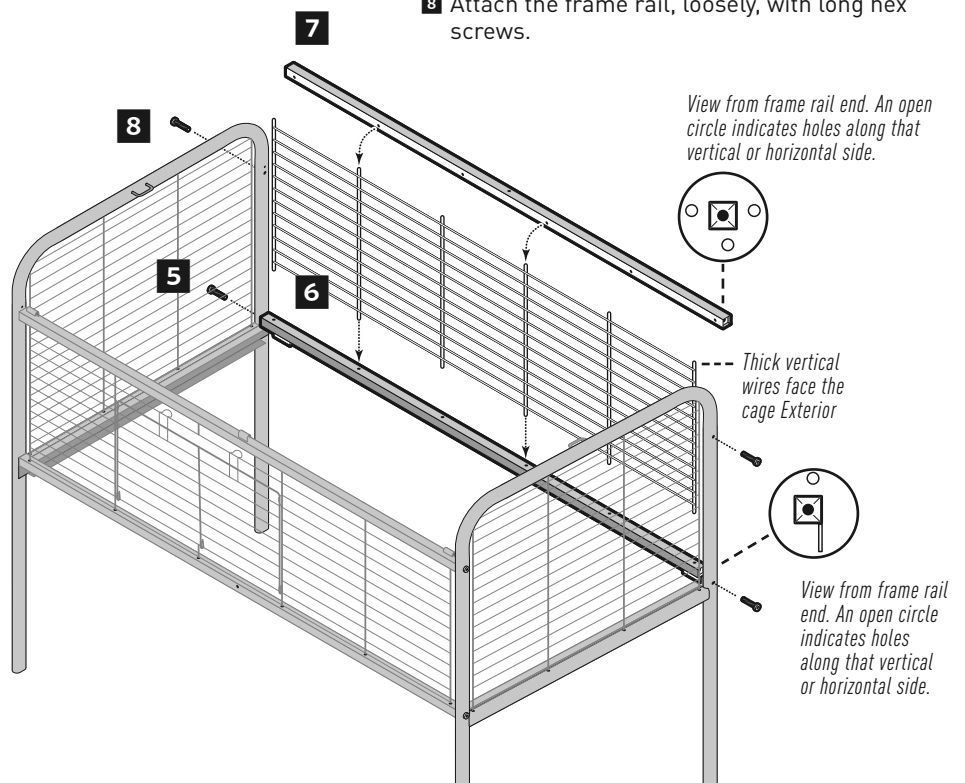
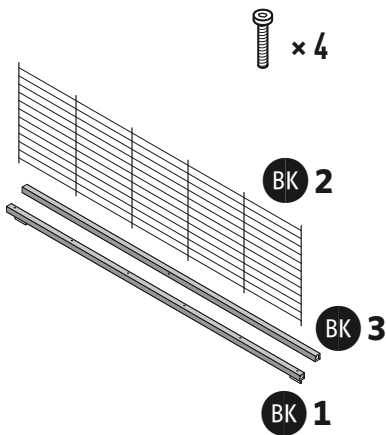
Leave screws loose at this stage.

- 1 Attach the front lower rail (with windbell lock) to the assembled side panels.
- 2 Insert all extended wires along the front panel into the holes of the frame rail.
- 3 Insert the front upper frame rail onto the extended wires along the top of the front panel.
- 4 Attach the frame rail to the side panels with long hex screws.

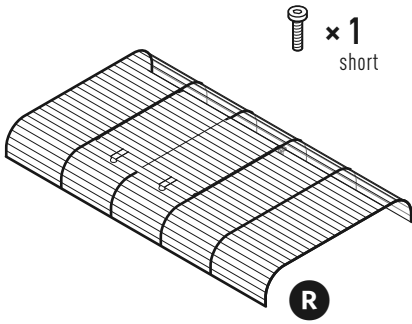


Same assembly as the front, with these exceptions:

- 5 Attach the back lower frame rail with long hex screws. On both sides, attach the screw just enough to hold the rail.
- 6 Insert the back panel.
- 7 Add the back upper frame rail.
- 8 Attach the frame rail, loosely, with long hex screws.



# 3 PIECES

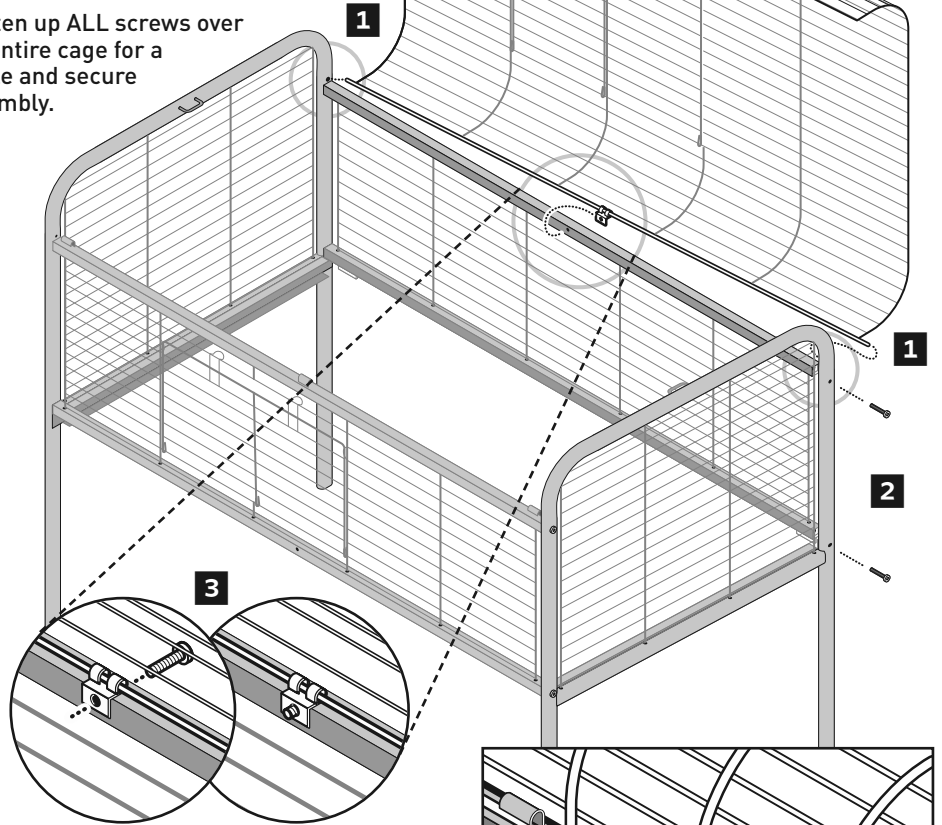


- 1 Insert the extended wires on the **roof panel** into the small holes on the side frames, just above the frame rail.

Make sure the bracket in the center goes over the frame rail and rests on the cage interior.

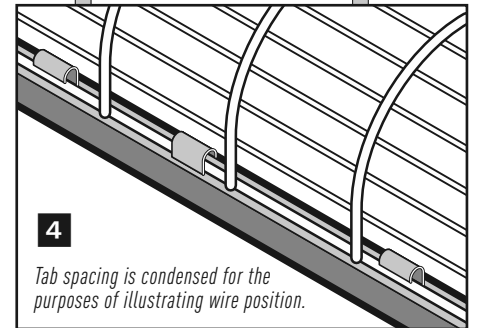
- 2 Push the back/side panel seam together to secure the extended wires in place. Tighten the hex screws completely.

Tighten up **ALL** screws over the entire cage for a stable and secure assembly.

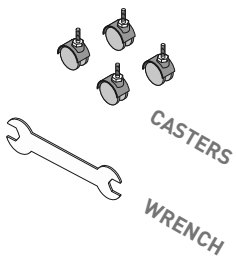


- 3 With the short hex screw, attach the **roof panel bracket** from the back, through the frame rail, into the bracket on the cage interior.

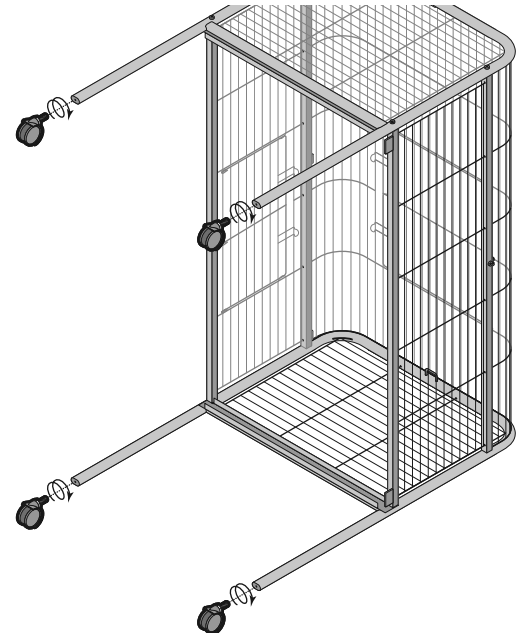
- 4 Close the roof and catch the front edge wire under the alternating hooked tabs along the top frame rail.



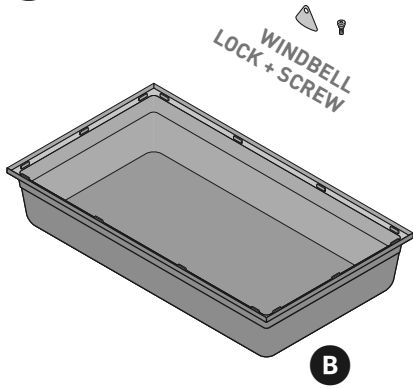
# 4 PIECES



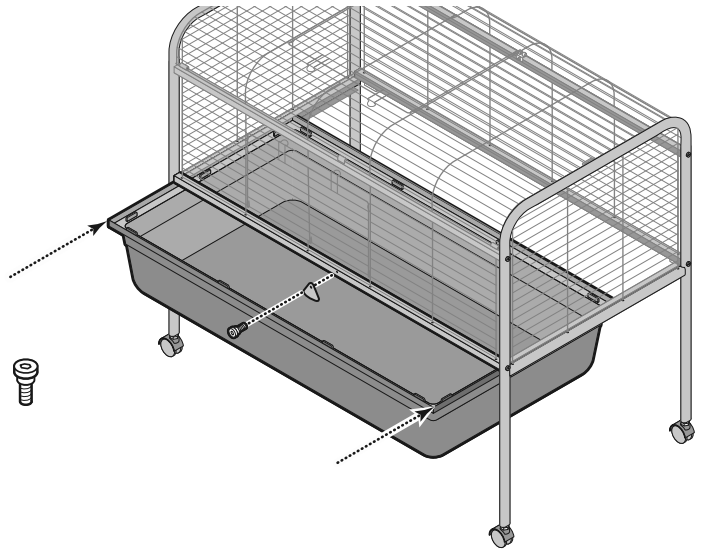
Carefully tip the cage on its side. Hand-tighten the casters into the frame legs and, to get them fully inserted, finish tightening with the enclosed wrench.



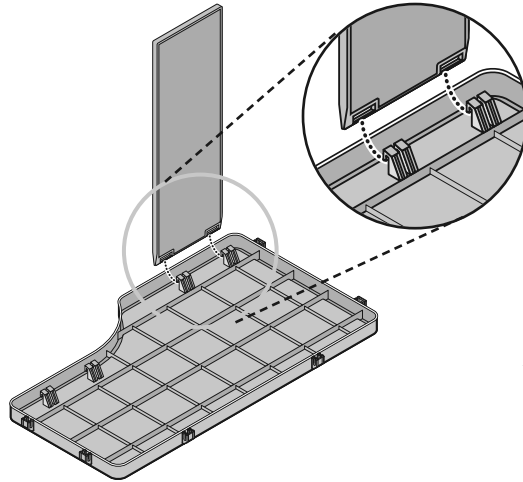
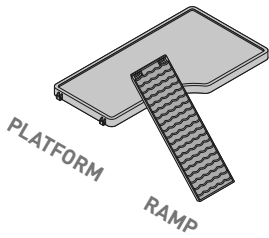
# 5 PIECES



Turn the cage upright and slide the **base** into place. Attach the **windbell lock** with a shortest hex screw.



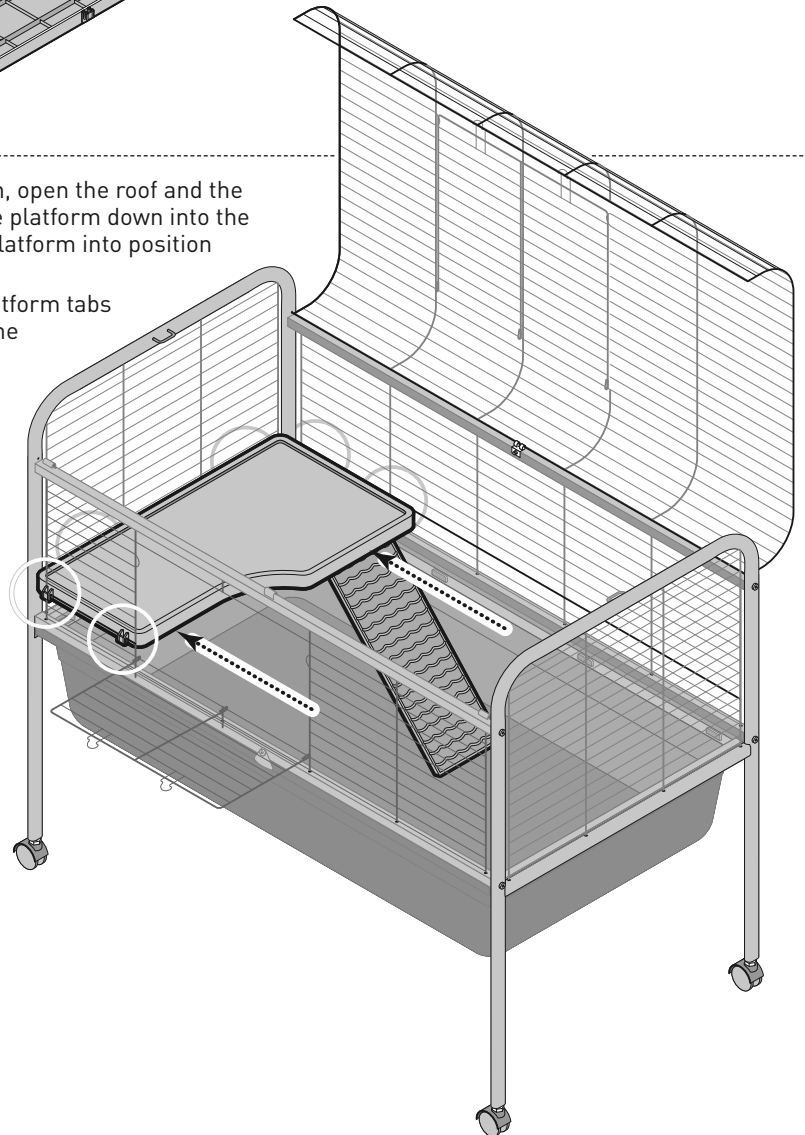
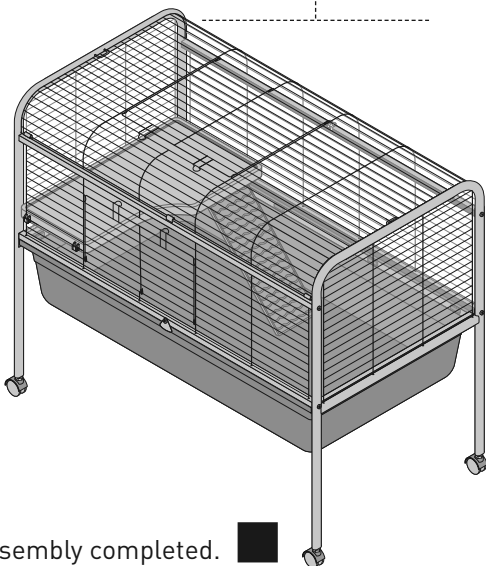
# 6 PIECES



Attach the **ramp** to either end of the **platform**: catch the slotted holes on the ramp under the hooked brackets and pull up to click into place.

For ease of insertion, open the roof and the front door. Angle the platform down into the cage and slide the platform into position horizontally.

Catch all hooked platform tabs onto cage wires of the same height.



Assembly completed. ■