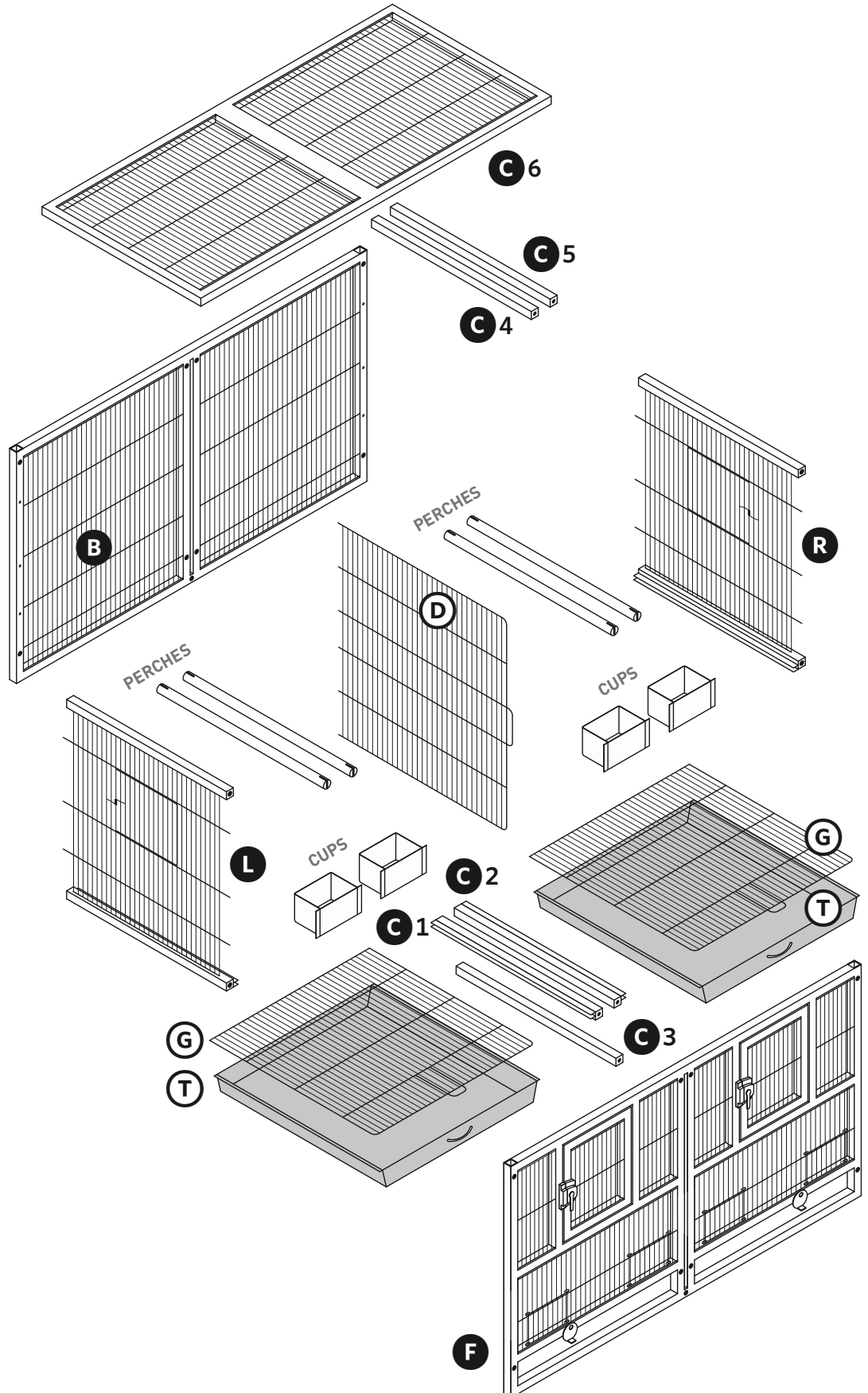


KEY:






- B = BACK Panel
- R = RIGHT Side Panel
- C = CORE Center Parts
- F = FRONT Panel
- L = LEFT Side Panel
- G = GRILLE
- T = TRAY
- D = DIVIDER

These parts are interchangeable:

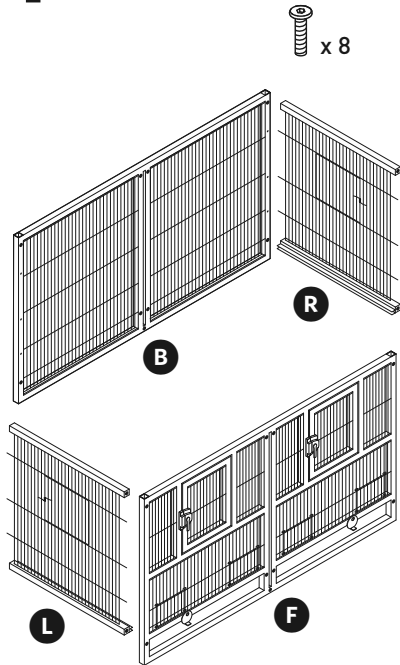
- L** = **R**
- C 1** = **C 2**
- C 3** = **C 4** = **C 5**
- G**s are the same
- T**s are the same



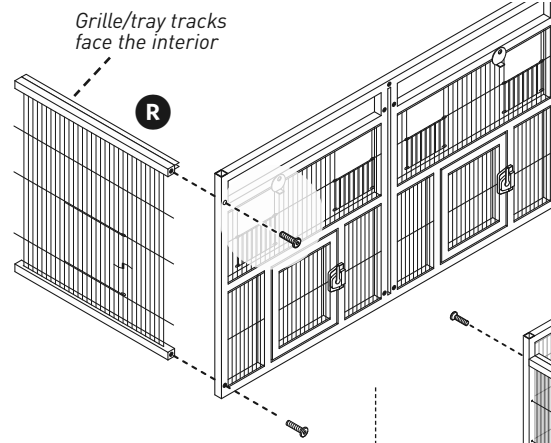
HARDWARE INCLUDED:

-  **Hex Screw**
18 pcs +1
-  **Corner Bracket**
4 pcs
-  **Endcap**
8 pcs
-  **Allen wrench**
1 pcs
-  **Plastic Connector**
4 pcs

1 PIECES



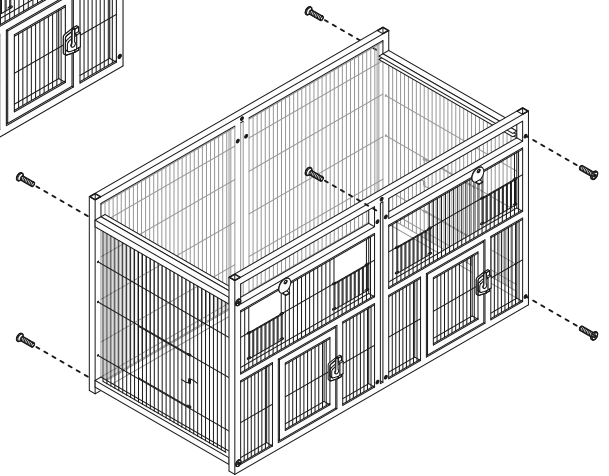
NOTE : To start, the cage body will be assembled **UPSIDE DOWN** for ease of assembly.



Turn the front panel and right side panel upside-down.

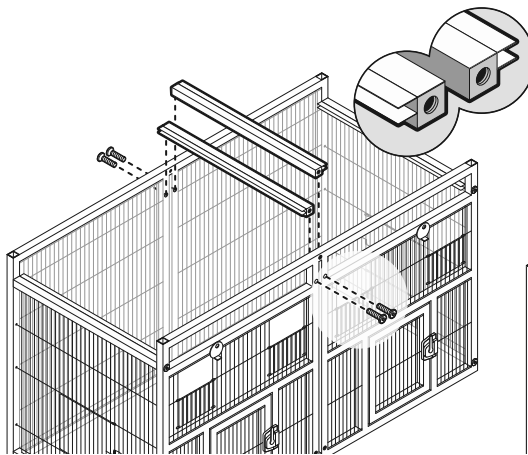
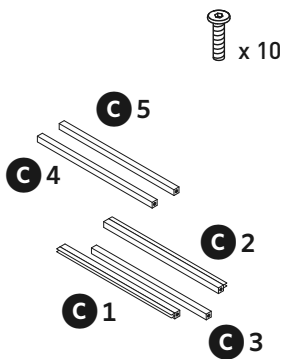
Guide the extended wires on the side panel into the holes along the inside frame of the front panel.

Secure the panels together with hex screws.

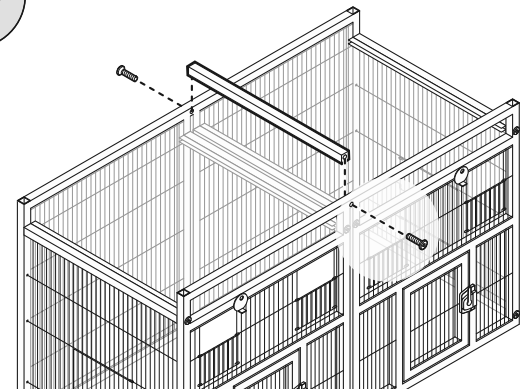


Add the back panel and left side panel in the same method, securing all panels together with hex screws.

2 PIECES



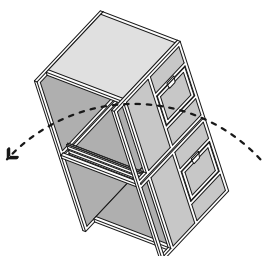
With the cage body still upside down, install the two **tray channel rails**. Orient the channels as shown in the detail, and attach with hand-tightened hex screws.



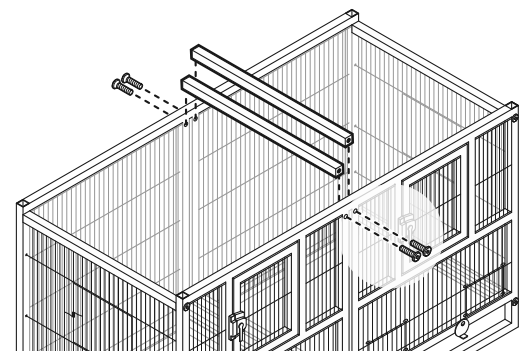
After the tray channel rails are attached, install a **square rail** with hex screws.

Tighten all screws with the hex key.

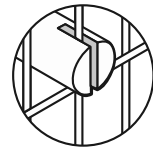
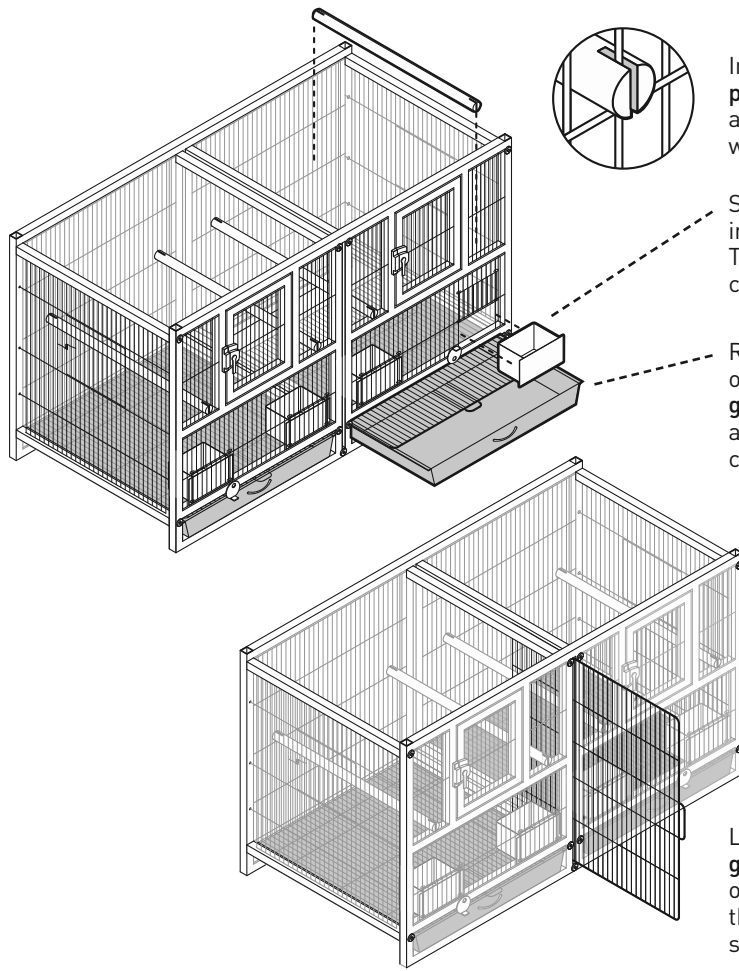
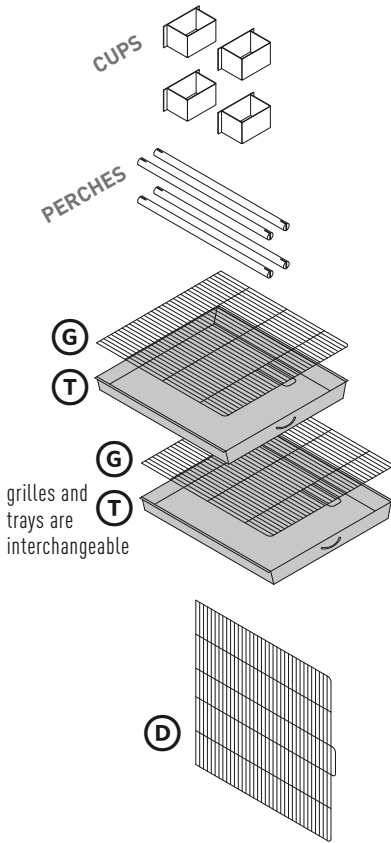
Flip the cage body upright



Install the two remaining **square rails**. Secure the rails with hex screws.



3 PIECES



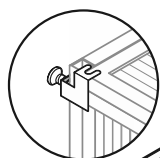
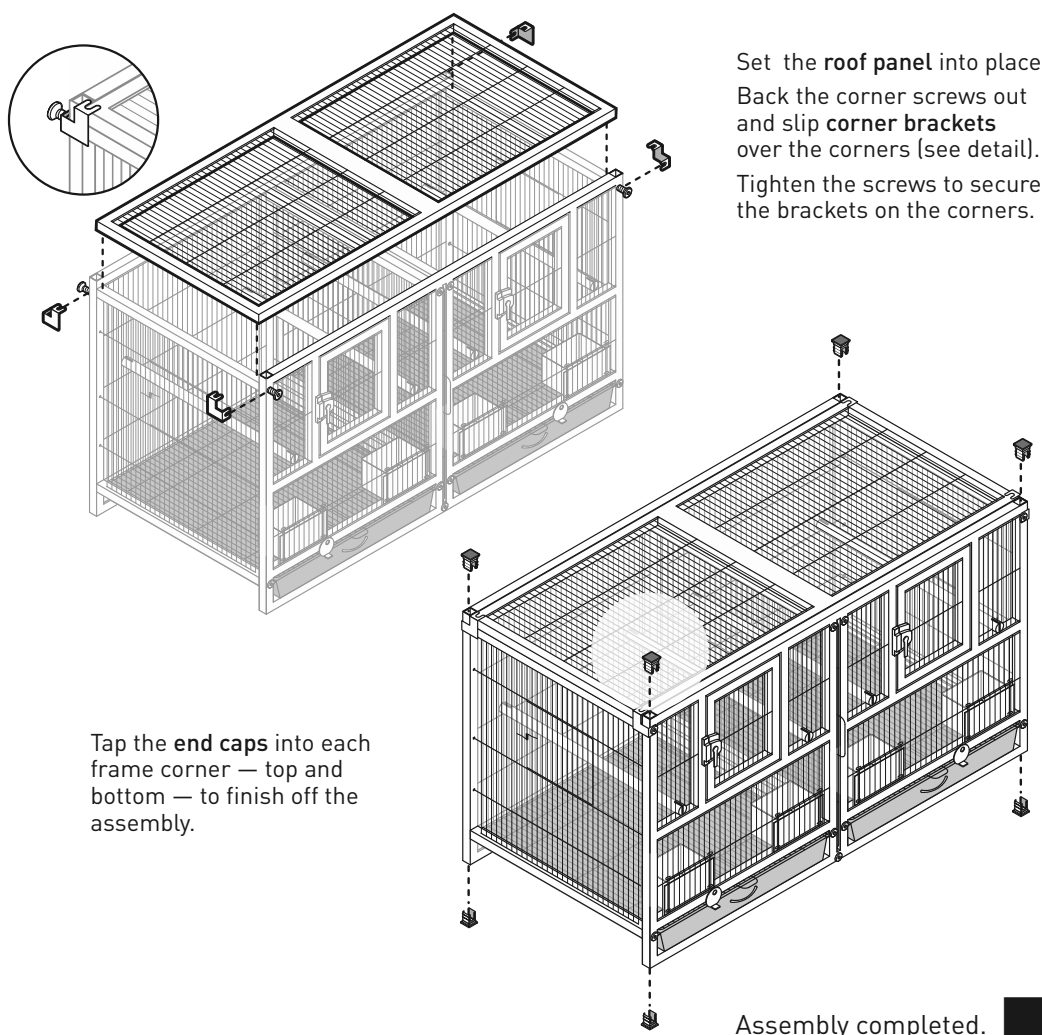
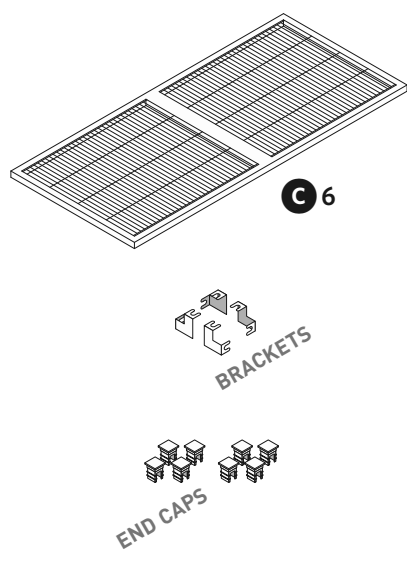
Insert the slotted ends of the **perches** on a vertical wire and resting on a horizontal wire or frame rail.

Slide the cup doors up and insert the **food/water cups**. The closed door holds the cup in place.

Rotate the **grille/tray lock** out of the way and slide the **grille** into the top channels and the **tray** into the bottom channels for each cage side.

Leave the center **divider grille** out for full-cage use, or slip it in place to divide the cage interior into two separate spaces.

4 PIECES



Set the **roof panel** into place. Back the corner screws out and slip **corner brackets** over the corners (see detail). Tighten the screws to secure the brackets on the corners.

Tap the **end caps** into each frame corner — top and bottom — to finish off the assembly.

Assembly completed.

Hampton Deluxe Cages

HOW TO STACK ASSEMBLED UNITS

Instructions online at www.prevuepet.com

CUSTOMER SUPPORT

For assistance or replacement parts, please contact Prevue Pet Products:

PHONE 1 (312) 243-3624

ONLINE www.prevuepet.com

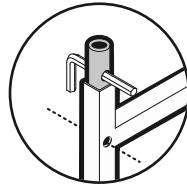
EMAIL customerservice@prevuepet.com

1

PIECES



x 4



INSTALLATION TIP :

Use the allen wrench to keep the plastic connector from going too deeply into the frame, and to align the holes in the post and frame.

TOOLS NEEDED :

An allen wrench and maybe a screwdriver or pliers to help in removing endcaps.

1. REMOVE ENDCAPS

From the top unit, remove the footer endcaps.

From the bottom unit, remove the top endcaps.

2. REMOVE HEX SCREWS

From the bottom unit, remove the four top corner hex screws.

3. INSERT PLASTIC CONNECTOR POSTS

Into the frame corners of the bottom unit, insert the plastic connectors, following the **INSTALLATION TIP** at the top of the page.

4. REPLACE HEX SCREWS

On the bottom unit, replace the hex screws in each corner, making sure to keep the corner brackets in place.

5. STACK THE UNITS

After all corner connectors and corner brackets are installed securely, slide the frame corners of the top unit over the connector posts on the bottom unit.

- Three cage units can be stacked safely.
- Do not exceed three stacked cages.

