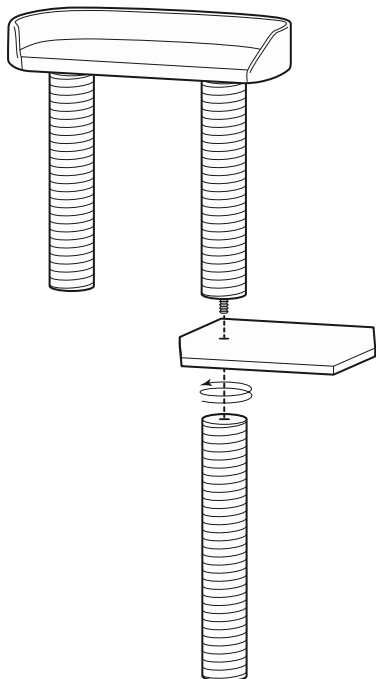
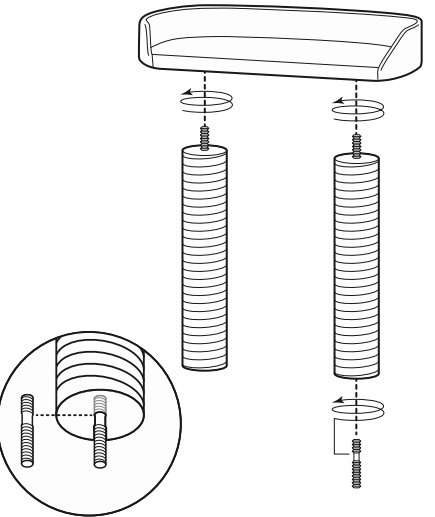
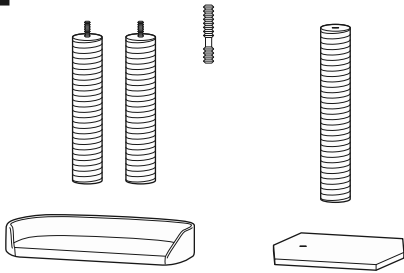
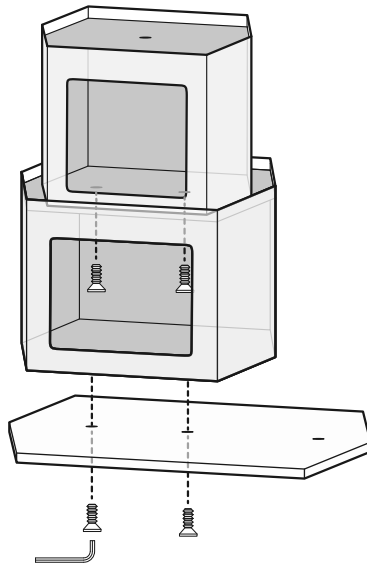
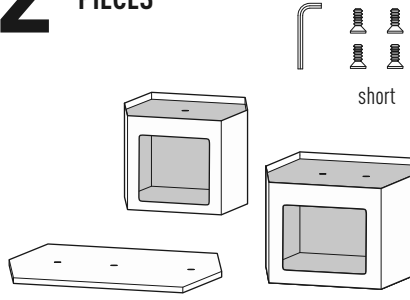


TOOLS: Hex key (included) • Follow the Assembly Steps in the order presented for best results.

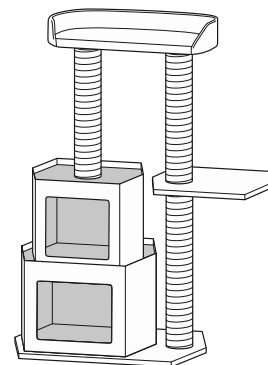
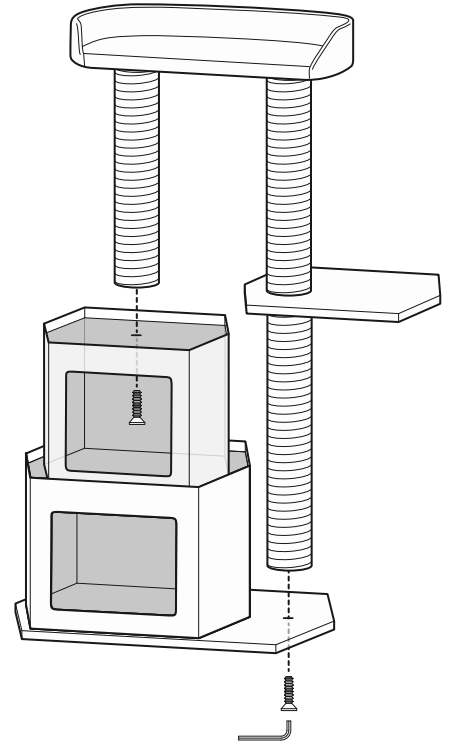
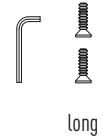
1 PIECES



2 PIECES



3 PIECES



Tighten screws
snuggly to create
stable connections.

Assembly completed.